

Capacitor contactor, AC-6b 50 kVA_r, / 400 V 2 NC, 50-60 Hz AC / 175-280 V DC 3-pole, Size S2 screw terminal



Product brand name	SIRIUS
Product designation	capacitor contactors
Product type designation	3RT26

General technical data	
Size of contactor	S2
Product extension	
• Auxiliary switch	Yes
Surge voltage resistance	
• of main circuit rated value	6 kV
• of auxiliary circuit rated value	6 kV
maximum permissible voltage for safe isolation	
• between coil and main contacts acc. to EN 60947-1	400 V
Protection class IP	
• on the front	IP20
• of the terminal	IP00
Shock resistance at rectangular impulse	
• at AC	6,8g / 5 ms, 4g / 10 ms
• at DC	6,8g / 5 ms, 4g / 10 ms

Shock resistance with sine pulse	
<ul style="list-style-type: none"> • at AC • at DC 	10,6g / 5 ms, 6,2g / 10 ms 10,6g / 5 ms, 6,2g / 10 ms
Mechanical service life (switching cycles)	
<ul style="list-style-type: none"> • of the contactor with added auxiliary switch block typical 	3 000 000
Electrical endurance (switching cycles)	200 000
Reference code acc. to DIN EN 81346-2	Q

Ambient conditions

Installation altitude at height above sea level	
<ul style="list-style-type: none"> • maximum 	2 000 m
Ambient temperature	
<ul style="list-style-type: none"> • during operation • during storage 	-25 ... +60 °C -55 ... +80 °C

Main circuit

Number of NO contacts for main contacts	3
Number of NC contacts for main contacts	0
Operating current	
<ul style="list-style-type: none"> • at AC-6b at 690 V at ambient temperature 60 °C rated value 	72.2 A
Operational reactive power at AC-6b	
<ul style="list-style-type: none"> • at 230 V at 50/60 Hz at ambient temperature 60 °C rated value • at 400 V at 50/60 Hz at ambient temperature 60 °C rated value • at 500 V at 50/60 Hz at ambient temperature 60 °C rated value • at 690 V at 50/60 Hz at ambient temperature 60 °C rated value 	10 ... 29 kvar 17 ... 50 kvar 21 ... 63 kvar 29 ... 86 kvar
No-load switching frequency	
<ul style="list-style-type: none"> • at AC • at DC 	500 1/h 500 1/h
Operating frequency at AC-6b	
<ul style="list-style-type: none"> • at 230 V maximum • at 240 V maximum • at 400 V maximum • at 480 V maximum • at 500 V maximum • at 600 V maximum • at 690 V maximum 	100 1/h 100 1/h 100 1/h 60 1/h 55 1/h 40 1/h 30 1/h

Control circuit/ Control

Type of voltage	AC/DC
------------------------	-------

Type of voltage of the control supply voltage	AC/DC
Control supply voltage at AC	
• at 50 Hz rated value	175 ... 280 V
• at 60 Hz rated value	175 ... 280 V
Control supply voltage frequency	
• 1 rated value	50 Hz
• 2 rated value	60 Hz
Control supply voltage	
• at DC rated value	175 ... 280 V
Operating range factor control supply voltage rated value of magnet coil at DC	
• initial value	0.8
• Full-scale value	1.1
Operating range factor control supply voltage rated value of magnet coil at AC	
• at 50 Hz	0.8 ... 1.1
• at 60 Hz	0.8 ... 1.1
Inrush current peak	25 A
Duration of inrush current peak	10 μ s
starting current average value	0.58 A
Peak starting current	1.5 A
Duration of starting current	230 ms
Holding current average value	10 mA
Apparent pick-up power of magnet coil at AC	110 V·A
Inductive power factor with closing power of the coil	0.95
Apparent holding power of magnet coil at AC	2.5 V·A
Inductive power factor with the holding power of the coil	0.95
Closing power of magnet coil at DC	70 W
Holding power of magnet coil at DC	1.5 W
Closing delay	
• at AC	30 ... 100 ms
• at DC	30 ... 100 ms
Arcing time	10 ... 15 ms
Auxiliary circuit	
Number of NC contacts for auxiliary contacts	2
• attachable	1
• instantaneous contact	2
Number of NO contacts for auxiliary contacts	0
• attachable	1
• instantaneous contact	0
Operating current of auxiliary contacts at AC-12 maximum	10 A

Operating current of auxiliary contacts at AC-15	
• at 230 V	6 A
• at 400 V	3 A
Operating current of auxiliary contacts at DC-13	
• at 24 V	6 A
• at 60 V	2 A
• at 110 V	1 A
• at 125 V	0.9 A
• at 220 V	0.3 A
Contact reliability of auxiliary contacts	0.00000001

UL/CSA ratings

Contact rating of auxiliary contacts according to UL	A600 / Q600
---	-------------

Short-circuit protection

Design of the fuse link	
• for short-circuit protection of the main circuit — with type of coordination 1 required	gG: 160 A (690 V, 50 kA)
• for short-circuit protection of the auxiliary switch required	gG: 10 A (500 V, 1 kA)

Installation/ mounting/ dimensions

Mounting position	+/-180° rotation possible on vertical mounting surface; can be tilted forward and backward by +/- 22.5° on vertical mounting surface
Mounting type	screw and snap-on mounting onto 35 mm standard mounting rail according to DIN EN 50022
Height	114 mm
Width	65 mm
Depth	130 mm
Required spacing	
• with side-by-side mounting — at the side	10 mm
• for grounded parts — at the side	10 mm

Connections/ Terminals

Type of electrical connection	
• for main current circuit	screw-type terminals
• for auxiliary and control current circuit	screw-type terminals
Type of connectable conductor cross-sections	
• for main contacts — solid	2x (1 ... 16 mm ²)
— stranded	2x (10 ... 35 mm ²), 1x (10 ... 50 mm ²)
— single or multi-stranded	2x (1 ... 35 mm ²), 1x (1 ... 50 mm ²)

<ul style="list-style-type: none"> — finely stranded with core end processing • at AWG conductors for main contacts 	<p>2x (1 ... 25 mm²), 1x (1 ... 35 mm²)</p> <p>2x (18 ... 2), 1x (18 ... 0)</p>
Type of connectable conductor cross-sections <ul style="list-style-type: none"> • for auxiliary contacts <ul style="list-style-type: none"> — solid — single or multi-stranded — finely stranded with core end processing • at AWG conductors for auxiliary contacts 	<p>2x (0.5 ... 1.5 mm²), 2x (0.75 ... 2.5 mm²), 2x 4 mm²</p> <p>2x (0,5 ... 1,5 mm²), 2x (0,75 ... 2,5 mm²), 2x 4 mm²</p> <p>2x (0.5 ... 1.5 mm²), 2x (0.75 ... 2.5 mm²)</p> <p>2x (20 ... 16), 2x (18 ... 14), 2x 12</p>
Type of minimum connectable cross-section for main contacts at AC-6b <ul style="list-style-type: none"> • at 40 °C • at 60 °C 	<p>1x 35 mm²</p> <p>1x 50 mm²</p>
AWG number as coded connectable conductor cross section for main contacts	18 ... 0

Safety related data

Product function <ul style="list-style-type: none"> • Mirror contact acc. to IEC 60947-4-1 • positively driven operation acc. to IEC 60947-5-1 	<p>No</p> <p>No</p>
Protection against electrical shock	Not finger-safe

Certificates/ approvals

General Product Approval	EMC	Declaration of Conformity
 CCC	 EAC	 EG-Konf.
 CSA	 RCM	
 UL		

Declaration of Conformity	Test Certificates	other
Miscellaneous	Type Test Certificates/Test Report	Confirmation

Further information

Information- and Downloadcenter (Catalogs, Brochures,...)
<https://www.siemens.com/ic10>

Industry Mall (Online ordering system)
<https://mall.industry.siemens.com/mall/en/en/Catalog/product?mlfb=3RT2636-1NP35>

Cax online generator
<http://support.automation.siemens.com/WW/CAXorder/default.aspx?lang=en&mlfb=3RT2636-1NP35>

Service&Support (Manuals, Certificates, Characteristics, FAQs,...)

<https://support.industry.siemens.com/cs/ww/en/ps/3RT2636-1NP35>

Image database (product images, 2D dimension drawings, 3D models, device circuit diagrams, EPLAN macros, ...)

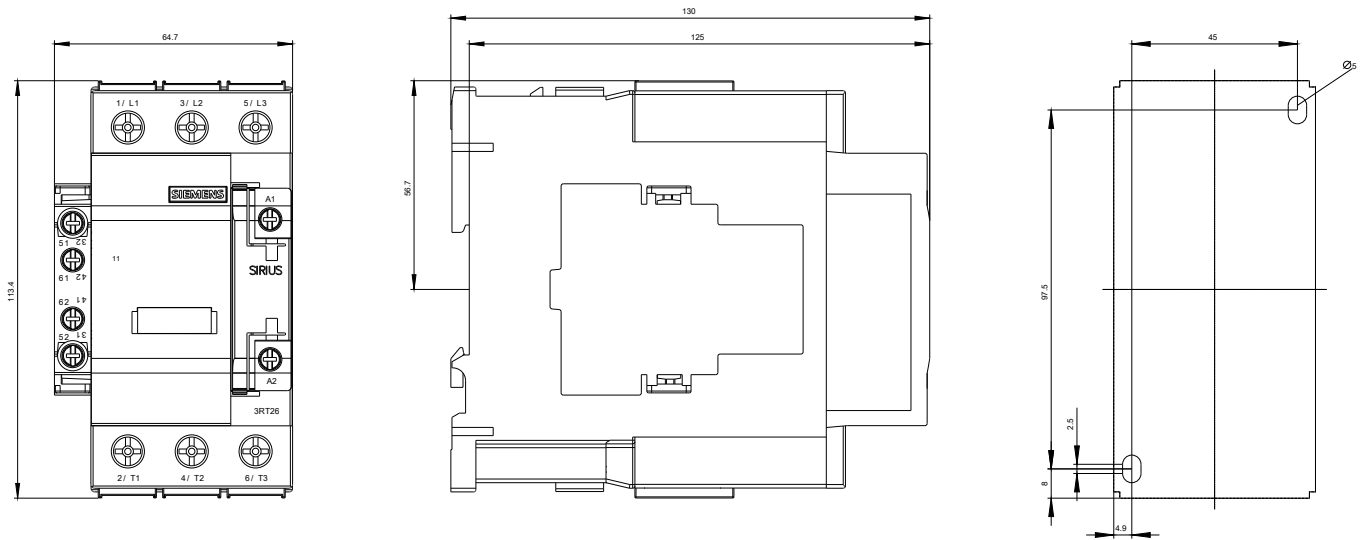
http://www.automation.siemens.com/bilddb/cax_de.aspx?mlfb=3RT2636-1NP35&lang=en

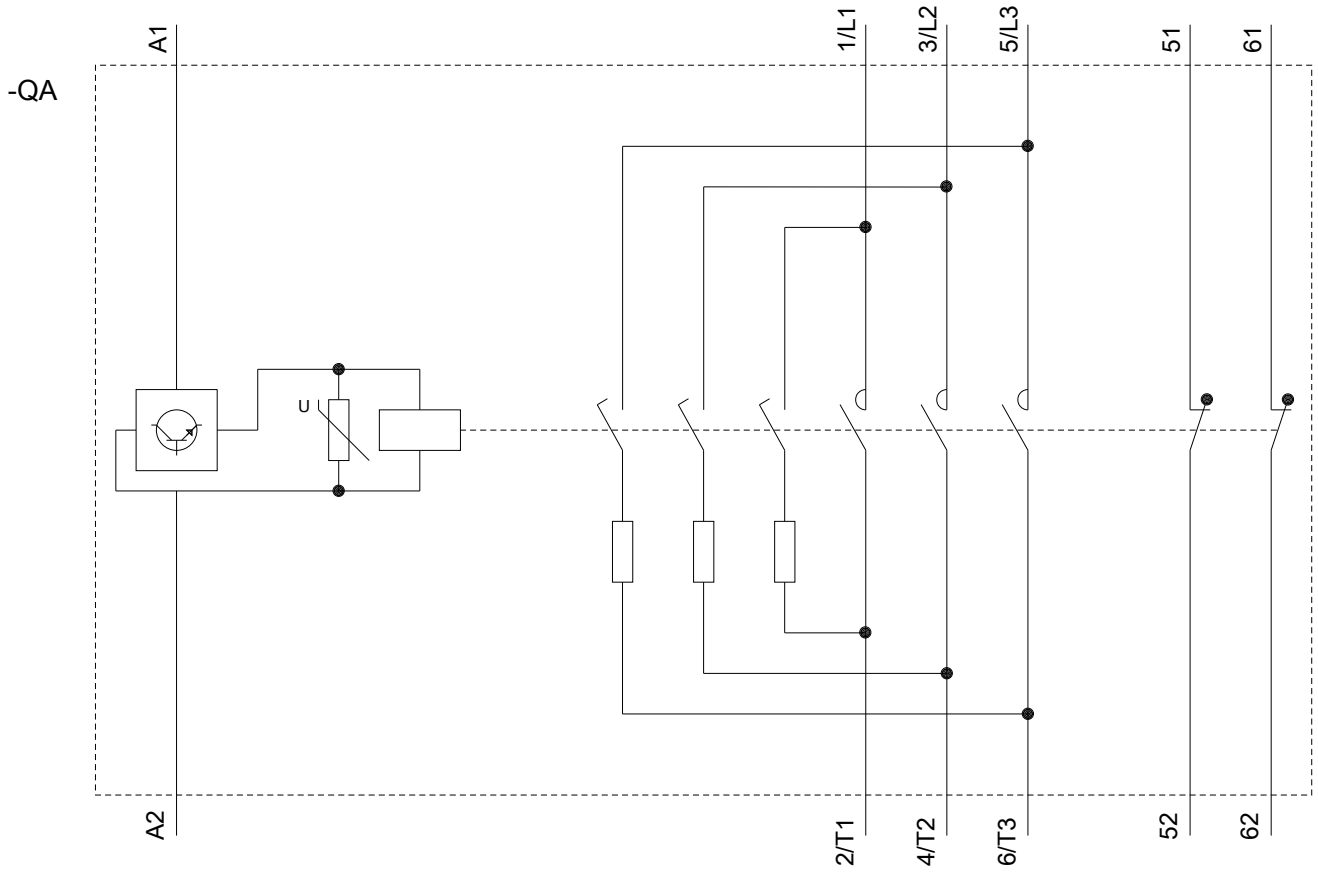
Characteristic: Tripping characteristics, I²t, Let-through current

<https://support.industry.siemens.com/cs/ww/en/ps/3RT2636-1NP35/char>

Further characteristics (e.g. electrical endurance, switching frequency)

<http://www.automation.siemens.com/bilddb/index.aspx?view=Search&mlfb=3RT2636-1NP35&objecttype=14&gridview=view1>





last modified:

05/28/2020