

Power contactor, AC-3 9 A, 4 kW / 400 V 2 NO + 2 NC 24 V DC 4-pole Size S00 screw terminals



Product brand name	SIRIUS
Product designation	contactor
Product type designation	3RT25
General technical data	
Size of contactor	S00
Product extension	
• function module for communication	No
• Auxiliary switch	Yes
Insulation voltage	
• of main circuit with degree of pollution 3 rated value	690 V
• of auxiliary circuit with degree of pollution 3 rated value	690 V
Surge voltage resistance	
• of main circuit rated value	6 kV
• of auxiliary circuit rated value	6 kV
maximum permissible voltage for safe isolation	
• between coil and main contacts acc. to EN 60947-1	400 V

Protection class IP	
• on the front	IP20
• of the terminal	IP20
Shock resistance at rectangular impulse	
• at DC	6,7g / 5 ms, 4,2g / 10 ms
Shock resistance with sine pulse	
• at DC	10,5g / 5 ms, 6,6g / 10 ms
Mechanical service life (switching cycles)	
• of contactor typical	30 000 000
• of the contactor with added electronics-compatible auxiliary switch block typical	5 000 000
• of the contactor with added auxiliary switch block typical	10 000 000
Reference code acc. to DIN EN 81346-2	Q

Ambient conditions

Installation altitude at height above sea level	
• maximum	2 000 m
Ambient temperature	
• during operation	-25 ... +60 °C
• during storage	-55 ... +80 °C

Main circuit

Number of poles for main current circuit	4
Number of NO contacts for main contacts	2
Number of NC contacts for main contacts	2
Operating current	
• at AC-1	
— up to 690 V at ambient temperature 40 °C rated value	18 A
— up to 690 V at ambient temperature 60 °C rated value	16 A
• at AC-2 at AC-3 at 400 V	
— per NO contact rated value	9 A
— per NC contact rated value	9 A
Minimum cross-section in main circuit	
• at maximum AC-1 rated value	2.5 mm ²
Operating current	
• at 1 current path at DC-1	
— at 24 V rated value	20 A
— at 110 V rated value	2.1 A
— at 220 V rated value	0.8 A
— at 440 V rated value	0.6 A
• with 2 current paths in series at DC-1	

— at 24 V rated value	20 A
— at 110 V rated value	12 A
— at 220 V rated value	1.6 A
— at 440 V rated value	0.8 A
Operating current	
• at 1 current path at DC-3 at DC-5	
— at 24 V per NC contact rated value	16 A
— at 24 V per NO contact rated value	16 A
— at 110 V per NC contact rated value	0.075 A
— at 110 V per NO contact rated value	0.15 A
— at 220 V per NC contact rated value	0.375 A
— at 220 V per NO contact rated value	0.75 A
• with 2 current paths in series at DC-3 at DC-5	
— at 24 V per NC contact rated value	16 A
— at 24 V per NO contact rated value	16 A
— at 110 V per NC contact rated value	0.175 A
— at 110 V per NO contact rated value	0.35 A
Operating power	
• at AC-2 at AC-3	
— at 230 V per NC contact rated value	2.2 kW
— at 230 V per NO contact rated value	2.2 kW
— at 400 V per NC contact rated value	4 kW
— at 400 V per NO contact rated value	4 kW
Short-time withstand current in cold operating state up to 40 °C	
• limited to 1 s switching at zero current maximum	110 A; Use minimum cross-section acc. to AC-1 rated value
• limited to 5 s switching at zero current maximum	110 A; Use minimum cross-section acc. to AC-1 rated value
• limited to 10 s switching at zero current maximum	86 A; Use minimum cross-section acc. to AC-1 rated value
• limited to 30 s switching at zero current maximum	66 A; Use minimum cross-section acc. to AC-1 rated value
• limited to 60 s switching at zero current maximum	54 A; Use minimum cross-section acc. to AC-1 rated value
Power loss [W] at AC-3 at 400 V for rated value of the operating current per conductor	0.7 W
No-load switching frequency	
• at AC	10 000 1/h
• at DC	10 000 1/h
Operating frequency	
• at AC-1 maximum	1 000 1/h

Control circuit/ Control	
Type of voltage of the control supply voltage	DC
Control supply voltage at DC	
• rated value	24 V
Operating range factor control supply voltage rated value of magnet coil at DC	
• initial value	0.8
• Full-scale value	1.1
Closing power of magnet coil at DC	4 W
Holding power of magnet coil at DC	4 W
Closing delay	
• at DC	30 ... 100 ms
Opening delay	
• at DC	7 ... 13 ms
Arcing time	10 ... 15 ms
Residual current of the electronics for control with signal <0>	
• at DC at 24 V maximum permissible	0.01 A

Auxiliary circuit	
Number of NC contacts for auxiliary contacts	
• instantaneous contact	0
Number of NO contacts for auxiliary contacts	
• instantaneous contact	0
Operating current at AC-12 maximum	10 A
Operating current at AC-15	
• at 230 V rated value	10 A
• at 400 V rated value	3 A
Operating current at DC-12	
• at 48 V rated value	6 A
• at 60 V rated value	6 A
• at 110 V rated value	3 A
• at 125 V rated value	2 A
• at 220 V rated value	1 A
• at 600 V rated value	0.15 A
Operating current at DC-13	
• at 24 V rated value	10 A
• at 48 V rated value	2 A
• at 60 V rated value	2 A
• at 110 V rated value	1 A
• at 220 V rated value	0.3 A
• at 600 V rated value	0.1 A
Contact reliability of auxiliary contacts	1 faulty switching per 100 million (17 V, 1 mA)

UL/CSA ratings

Yielded mechanical performance [hp] <ul style="list-style-type: none">• for single-phase AC motor<ul style="list-style-type: none">— at 110/120 V rated value— at 230 V rated value	0.33 hp 1 hp
Contact rating of auxiliary contacts according to UL	A600 / Q600

Short-circuit protection

Design of the fuse link <ul style="list-style-type: none">• for short-circuit protection of the main circuit<ul style="list-style-type: none">— with type of coordination 1 required— with type of assignment 2 required• for short-circuit protection of the auxiliary switch required	gG: 35 A (690 V, 100 kA) gG: 20A (690V, 100kA) fuse gG: 10 A
--	--

Installation/ mounting/ dimensions

Mounting position	+/-180° rotation possible on vertical mounting surface; can be tilted forward and backward by +/- 22.5° on vertical mounting surface
Mounting type <ul style="list-style-type: none">• Side-by-side mounting	screw and snap-on mounting onto 35 mm standard mounting rail according to DIN EN 50022 Yes
Height	57.5 mm
Width	45 mm
Depth	73 mm
Required spacing <ul style="list-style-type: none">• with side-by-side mounting<ul style="list-style-type: none">— forwards— Backwards— upwards— downwards— at the side• for grounded parts<ul style="list-style-type: none">— forwards— Backwards— upwards— at the side— downwards• for live parts<ul style="list-style-type: none">— forwards— Backwards— upwards— downwards	0 mm 0 mm 0 mm 0 mm 0 mm 0 mm 0 mm 0 mm 6 mm 0 mm 0 mm 0 mm 0 mm 0 mm 0 mm

— at the side

6 mm

Connections/ Terminals

Type of electrical connection <ul style="list-style-type: none">• for main current circuit• for auxiliary and control current circuit	screw-type terminals screw-type terminals
Type of connectable conductor cross-sections <ul style="list-style-type: none">• for main contacts<ul style="list-style-type: none">— solid— single or multi-stranded— finely stranded with core end processing• at AWG conductors for main contacts	2x (0.5 ... 1.5 mm ²), 2x (0.75 ... 2.5 mm ²), 2x 4 mm ² 2x (0,5 ... 1,5 mm ²), 2x (0,75 ... 2,5 mm ²), 2x 4 mm ² 2x (0.5 ... 1.5 mm ²), 2x (0.75 ... 2.5 mm ²) 2x (20 ... 16), 2x (18 ... 14), 2x 12
Type of connectable conductor cross-sections <ul style="list-style-type: none">• for auxiliary contacts<ul style="list-style-type: none">— solid— single or multi-stranded— finely stranded with core end processing• at AWG conductors for auxiliary contacts	2x (0.5 ... 1.5 mm ²), 2x (0.75 ... 2.5 mm ²), 2x 4 mm ² 2x (0,5 ... 1,5 mm ²), 2x (0,75 ... 2,5 mm ²), 2x 4 mm ² 2x (0.5 ... 1.5 mm ²), 2x (0.75 ... 2.5 mm ²) 2x (20 ... 16), 2x (18 ... 14), 2x 12
AWG number as coded connectable conductor cross section for main contacts	20 ... 12

Safety related data

Product function <ul style="list-style-type: none">• Mirror contact acc. to IEC 60947-4-1• positively driven operation acc. to IEC 60947-5-1	Yes; with 3RH29 No
T1 value for proof test interval or service life acc. to IEC 61508	20 y
Protection against electrical shock	finger-safe

Certificates/ approvals

General Product Approval	EMC	Functional Safety/Safety of Machinery
--------------------------	-----	---------------------------------------



[Type Examination Certificate](#)

Declaration of Conformity	Test Certificates	Marine / Shipping
---------------------------	-------------------	-------------------



[Miscellaneous](#)

[Type Test Certificates/Test Report](#)

[Special Test Certificate](#)



Marine / Shipping	other
-------------------	-------



[Confirmation](#)

other



Further information

Information- and Downloadcenter (Catalogs, Brochures,...)

<https://www.siemens.com/ic10>

Industry Mall (Online ordering system)

<https://mall.industry.siemens.com/mall/en/en/Catalog/product?mlfb=3RT2516-1BB40>

Cax online generator

<http://support.automation.siemens.com/WW/CAXorder/default.aspx?lang=en&mlfb=3RT2516-1BB40>

Service&Support (Manuals, Certificates, Characteristics, FAQs,...)

<https://support.industry.siemens.com/cs/ww/en/ps/3RT2516-1BB40>

Image database (product images, 2D dimension drawings, 3D models, device circuit diagrams, EPLAN macros, ...)

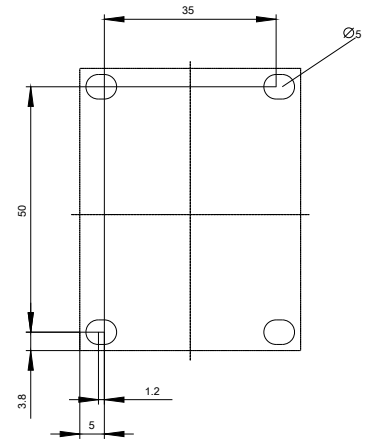
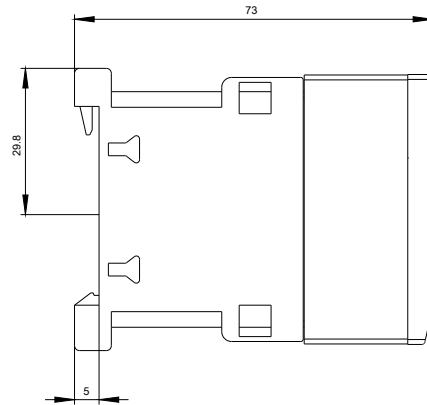
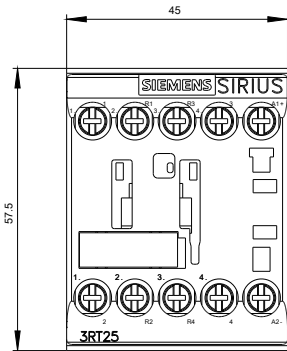
http://www.automation.siemens.com/bilddb/cax_de.aspx?mlfb=3RT2516-1BB40&lang=en

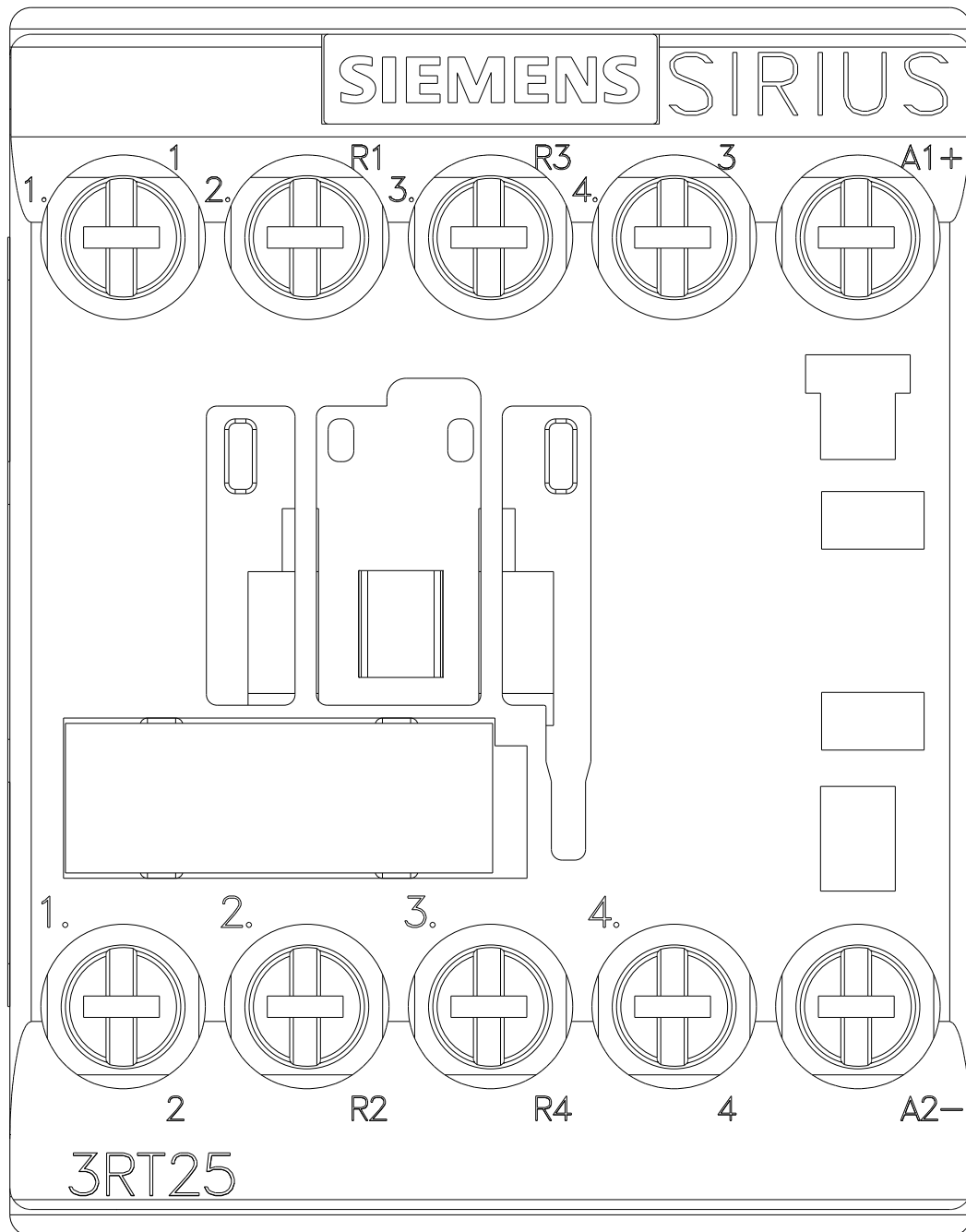
Characteristic: Tripping characteristics, I^t, Let-through current

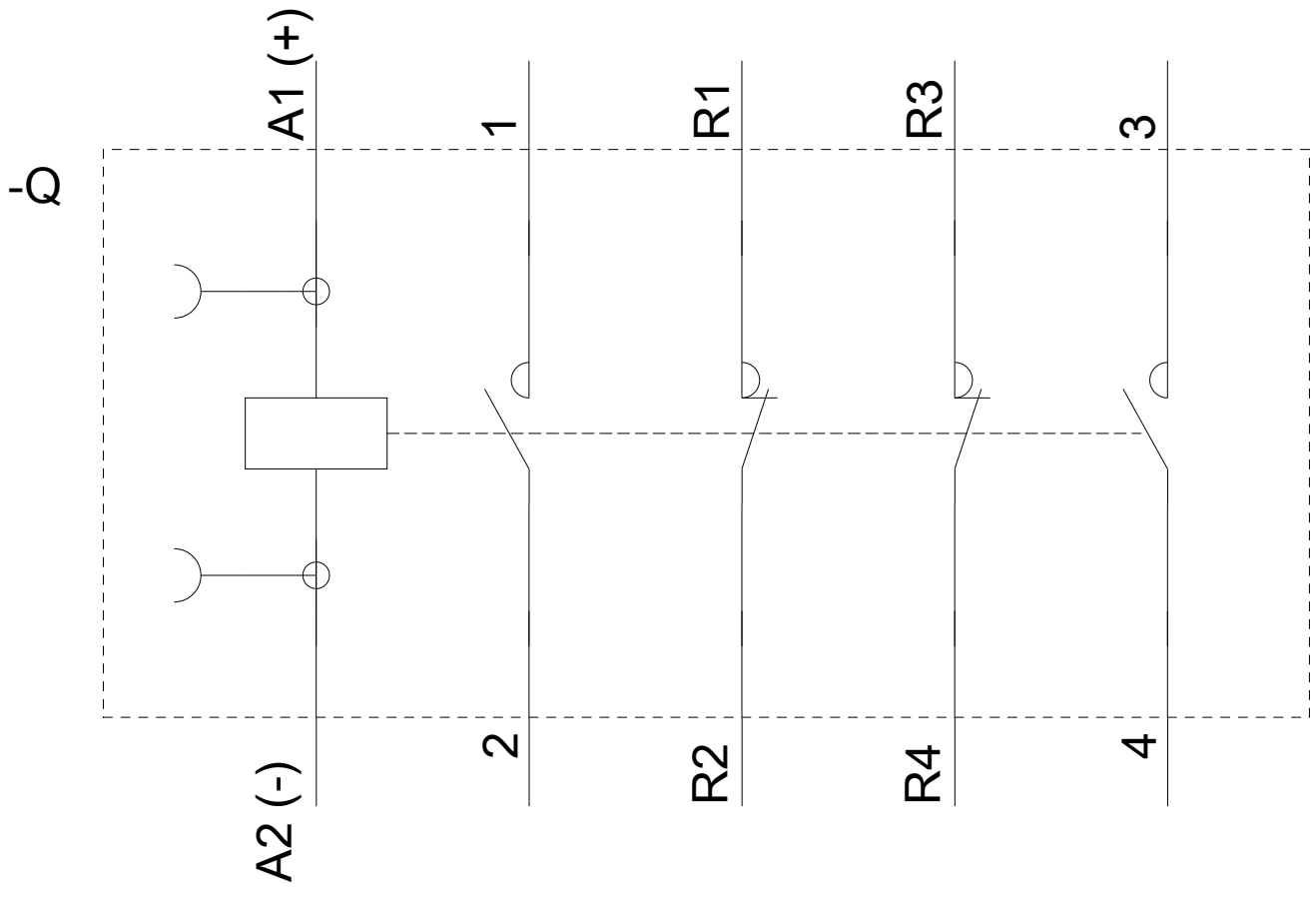
<https://support.industry.siemens.com/cs/ww/en/ps/3RT2516-1BB40/char>

Further characteristics (e.g. electrical endurance, switching frequency)

<http://www.automation.siemens.com/bilddb/index.aspx?view=Search&mlfb=3RT2516-1BB40&objecttype=14&gridview=view1>







last modified:

05/28/2020