

Contactor, AC-1, 35 A/400 V/40 °C, S0, 4-pole, 24 V DC, 1 NO+1 NC, screw terminal



Product brand name	SIRIUS
Product designation	Contactor
Product type designation	3RT23
<b>General technical data</b>	
Size of contactor	S0
Product extension	
• function module for communication	No
• Auxiliary switch	Yes
Surge voltage resistance	
• of main circuit rated value	6 kV
• of auxiliary circuit rated value	6 kV
Protection class IP	
• on the front	IP20
• of the terminal	IP20
Shock resistance at rectangular impulse	
• at DC	10g / 5 ms, 7,5g / 10 ms
Shock resistance with sine pulse	
• at DC	15g / 5 ms, 10g / 10 ms
Mechanical service life (switching cycles)	

<ul style="list-style-type: none"> <li>• of contactor typical</li> </ul>	10 000 000
<ul style="list-style-type: none"> <li>• of the contactor with added auxiliary switch block typical</li> </ul>	100 000 000
<b>Reference code acc. to DIN EN 81346-2</b>	Q

### Ambient conditions

<b>Installation altitude at height above sea level</b>	
<ul style="list-style-type: none"> <li>• maximum</li> </ul>	2 000 m
<b>Ambient temperature</b>	
<ul style="list-style-type: none"> <li>• during operation</li> </ul>	-25 ... +60 °C
<ul style="list-style-type: none"> <li>• during storage</li> </ul>	-55 ... +80 °C
<b>Relative humidity</b>	
<ul style="list-style-type: none"> <li>• during operation</li> </ul>	95 %

### Main circuit

<b>Number of poles for main current circuit</b>	4
<b>Number of NO contacts for main contacts</b>	4
<b>Operating voltage</b>	
<ul style="list-style-type: none"> <li>• at AC <ul style="list-style-type: none"> <li>— at 50 Hz rated value</li> <li>— at 60 Hz rated value</li> </ul> </li> </ul>	690 V 690 V
<b>Operating current</b>	
<ul style="list-style-type: none"> <li>• at AC-1 at 400 V <ul style="list-style-type: none"> <li>— at ambient temperature 40 °C rated value</li> </ul> </li> <li>• at AC-1 <ul style="list-style-type: none"> <li>— up to 690 V at ambient temperature 40 °C rated value</li> <li>— up to 690 V at ambient temperature 60 °C rated value</li> </ul> </li> <li>• at AC-3 <ul style="list-style-type: none"> <li>— at 400 V rated value</li> </ul> </li> <li>• at AC-4 at 400 V rated value</li> </ul>	35 A 35 A 30 A 15.5 A 15.5 A
<b>Minimum cross-section in main circuit</b>	
<ul style="list-style-type: none"> <li>• at maximum AC-1 rated value</li> </ul>	10 mm <sup>2</sup>
<b>Operating power</b>	
<ul style="list-style-type: none"> <li>• at AC-3 <ul style="list-style-type: none"> <li>— at 400 V rated value</li> </ul> </li> <li>• at AC-4 at 400 V rated value</li> </ul>	7.5 kW 7.5 kW
<b>Short-time withstand current in cold operating state up to 40 °C</b>	
<ul style="list-style-type: none"> <li>• limited to 1 s switching at zero current maximum</li> <li>• limited to 5 s switching at zero current maximum</li> </ul>	Use minimum cross-section acc. to AC-1 rated value Use minimum cross-section acc. to AC-1 rated value

<ul style="list-style-type: none"> <li>• limited to 10 s switching at zero current maximum</li> <li>• limited to 30 s switching at zero current maximum</li> <li>• limited to 60 s switching at zero current maximum</li> </ul>	Use minimum cross-section acc. to AC-1 rated value
	Use minimum cross-section acc. to AC-1 rated value
	Use minimum cross-section acc. to AC-1 rated value
<b>No-load switching frequency</b>	
<ul style="list-style-type: none"> <li>• at AC</li> <li>• at DC</li> </ul>	5 000 1/h 1 500 1/h
<b>Operating frequency</b>	
<ul style="list-style-type: none"> <li>• at AC-1 maximum</li> </ul>	1 000 1/h

Control circuit/ Control	
<b>Type of voltage</b>	DC
<b>Type of voltage of the control supply voltage</b>	DC
<b>Control supply voltage</b>	
<ul style="list-style-type: none"> <li>• at DC rated value</li> </ul>	24 V
<b>Operating range factor control supply voltage rated value of magnet coil at DC</b>	
<ul style="list-style-type: none"> <li>• initial value</li> <li>• Full-scale value</li> </ul>	0.8 1.1
<b>Closing power of magnet coil at DC</b>	5.9 W
<b>Holding power of magnet coil at DC</b>	5.9 W
<b>Closing delay</b>	
<ul style="list-style-type: none"> <li>• at DC</li> </ul>	50 ... 170 ms
<b>Opening delay</b>	
<ul style="list-style-type: none"> <li>• at DC</li> </ul>	15 ... 17.5 ms
<b>Arcing time</b>	10 ... 10 ms
<b>Control version of the switch operating mechanism</b>	Standard A1 - A2

Auxiliary circuit	
<b>Number of NC contacts for auxiliary contacts</b>	1
<ul style="list-style-type: none"> <li>• attachable</li> <li>• instantaneous contact</li> </ul>	2 1
<b>Number of NO contacts for auxiliary contacts</b>	1
<ul style="list-style-type: none"> <li>• attachable</li> <li>• instantaneous contact</li> </ul>	2 1
<b>Operating current at AC-12</b>	
<ul style="list-style-type: none"> <li>• maximum</li> </ul>	10 A
<b>Operating current at AC-15</b>	
<ul style="list-style-type: none"> <li>• at 230 V rated value</li> <li>• at 400 V rated value</li> <li>• at 500 V rated value</li> <li>• at 690 V rated value</li> </ul>	10 A 3 A 2 A 1 A

<b>Operating current at DC-12</b>	
<ul style="list-style-type: none"> <li>• at 24 V rated value</li> <li>• at 48 V rated value</li> <li>• at 60 V rated value</li> <li>• at 110 V rated value</li> <li>• at 125 V rated value</li> <li>• at 220 V rated value</li> <li>• at 600 V rated value</li> </ul>	<p>10 A</p> <p>6 A</p> <p>6 A</p> <p>3 A</p> <p>2 A</p> <p>1 A</p> <p>0.15 A</p>
<b>Operating current at DC-13</b>	
<ul style="list-style-type: none"> <li>• at 24 V rated value</li> <li>• at 48 V rated value</li> <li>• at 110 V rated value</li> <li>• at 125 V rated value</li> <li>• at 220 V rated value</li> <li>• at 600 V rated value</li> </ul>	<p>10 A</p> <p>2 A</p> <p>1 A</p> <p>0.3 A</p> <p>0.3 A</p> <p>0.3 A</p>
<b>Design of the miniature circuit breaker</b>	
<ul style="list-style-type: none"> <li>• for short-circuit protection of the auxiliary switch required</li> </ul>	gG: 10 A (230 V, 400 A)
<b>Contact reliability of auxiliary contacts</b>	1 faulty switching per 100 million (17 V, 1 mA)
<b>UL/CSA ratings</b>	
<b>Contact rating of auxiliary contacts according to UL</b>	A600 / Q600
<b>Short-circuit protection</b>	
<b>Product function Short circuit protection</b>	No
<b>Design of the fuse link</b>	
<ul style="list-style-type: none"> <li>• for short-circuit protection of the main circuit <ul style="list-style-type: none"> <li>— with type of coordination 1 required</li> <li>— with type of assignment 2 required</li> </ul> </li> <li>• for short-circuit protection of the auxiliary switch required</li> </ul>	<p>gG: 63 A (690 V, 100 kA)</p> <p>gG: 20 A (690 V, 100 kA)</p> <p>gG: 10 A (690 V, 1 kA)</p>
<b>Installation/ mounting/ dimensions</b>	
<b>Mounting position</b>	+/-180° rotation possible on vertical mounting surface; can be tilted forward and backward by +/- 22.5° on vertical mounting surface
<b>Mounting type</b>	screw and snap-on mounting onto 35 mm standard mounting rail according to DIN EN 60715
<ul style="list-style-type: none"> <li>• Side-by-side mounting</li> </ul>	Yes
<b>Height</b>	85 mm
<b>Width</b>	60 mm
<b>Depth</b>	107 mm
<b>Required spacing</b>	
<ul style="list-style-type: none"> <li>• with side-by-side mounting <ul style="list-style-type: none"> <li>— forwards</li> </ul> </li> </ul>	10 mm

— upwards	10 mm
— downwards	10 mm
— at the side	0 mm
• for grounded parts	
— forwards	10 mm
— upwards	10 mm
— at the side	6 mm
— downwards	10 mm
• for live parts	
— forwards	10 mm
— upwards	10 mm
— downwards	10 mm
— at the side	6 mm

## Connections/ Terminals

<b>Type of electrical connection</b>	
• for main current circuit	screw-type terminals
• for auxiliary and control current circuit	screw-type terminals
<b>Type of connectable conductor cross-sections</b>	
• for main contacts	
— solid	2x (1 ... 2.5 mm <sup>2</sup> ), 2x (2.5 ... 10 mm <sup>2</sup> )
— single or multi-stranded	2x (1 ... 2,5 mm <sup>2</sup> ), 2x (2,5 ... 10 mm <sup>2</sup> )
— finely stranded with core end processing	2x (1 ... 2.5 mm <sup>2</sup> ), 2x (2.5 ... 6 mm <sup>2</sup> ), 1x 10 mm <sup>2</sup>
• at AWG conductors for main contacts	2x (16 ... 12), 2x (14 ... 8)
<b>Connectable conductor cross-section for main contacts</b>	
• solid	1 ... 10 mm <sup>2</sup>
• single or multi-stranded	1 ... 10 mm <sup>2</sup>
• stranded	1 ... 10 mm <sup>2</sup>
• finely stranded with core end processing	1 ... 10 mm <sup>2</sup>
<b>Connectable conductor cross-section for auxiliary contacts</b>	
• single or multi-stranded	0.5 ... 2.5 mm <sup>2</sup>
• finely stranded with core end processing	0.5 ... 2.5 mm <sup>2</sup>
<b>Type of connectable conductor cross-sections</b>	
• for auxiliary contacts	
— solid	2x (0.5 ... 1.5 mm <sup>2</sup> ), 2x (0.75 ... 2.5 mm <sup>2</sup> )
— single or multi-stranded	2x (0,5 ... 1,5 mm <sup>2</sup> ), 2x (0,75 ... 2,5 mm <sup>2</sup> )
— finely stranded with core end processing	2x (0.5 ... 1.5 mm <sup>2</sup> ), 2x (0.75 ... 2.5 mm <sup>2</sup> )
• at AWG conductors for auxiliary contacts	2x (20 ... 16), 2x (18 ... 14)
<b>AWG number as coded connectable conductor cross section</b>	
• for main contacts	16 ... 8

- for auxiliary contacts

20 ... 14

### Safety related data

<b>Product function</b>	
• Mirror contact acc. to IEC 60947-4-1	Yes
<b>T1 value for proof test interval or service life acc. to IEC 61508</b>	20 y
<b>Protection against electrical shock</b>	finger-safe

### Communication/ Protocol

<b>Product function Bus communication</b>	No
---	----

### Certificates/ approvals

<b>General Product Approval</b>	<b>EMC</b>	<b>Functional Safety/Safety of Machinery</b>
---------------------------------	------------	--



[Type Examination Certificate](#)

<b>Declaration of Conformity</b>	<b>Test Certificates</b>	<b>Marine / Shipping</b>
----------------------------------	--------------------------	--------------------------



[Miscellaneous](#)

[Type Test Certificates/Test Report](#)

[Special Test Certificate](#)



<b>Marine / Shipping</b>	<b>other</b>
--------------------------	--------------



[Confirmation](#)



### Further information

**Information- and Downloadcenter (Catalogs, Brochures,...)**

<https://www.siemens.com/ic10>

**Industry Mall (Online ordering system)**

<https://mall.industry.siemens.com/mall/en/en/Catalog/product?mlfb=3RT2325-1BB40>

**Cax online generator**

<http://support.automation.siemens.com/WW/CAXorder/default.aspx?lang=en&mlfb=3RT2325-1BB40>

**Service&Support (Manuals, Certificates, Characteristics, FAQs,...)**

<https://support.industry.siemens.com/cs/ww/en/ps/3RT2325-1BB40>

**Image database (product images, 2D dimension drawings, 3D models, device circuit diagrams, EPLAN macros, ...)**

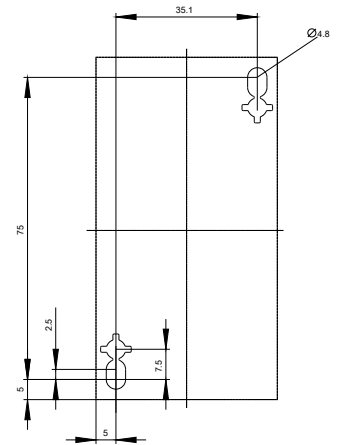
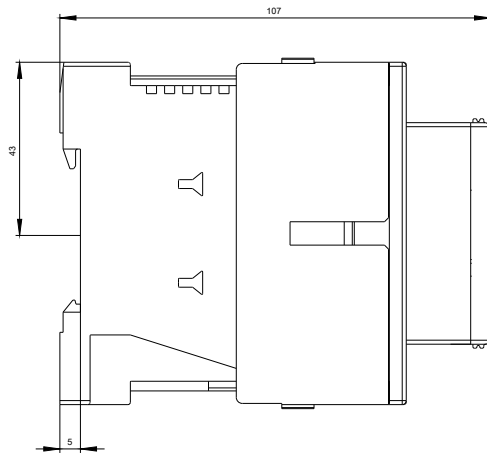
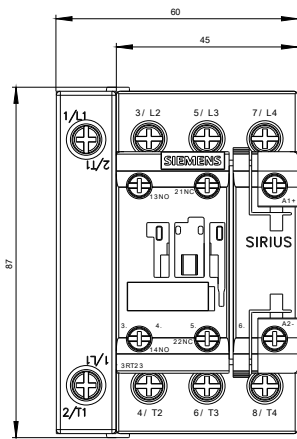
[http://www.automation.siemens.com/bilddb/cax\\_de.aspx?mlfb=3RT2325-1BB40&lang=en](http://www.automation.siemens.com/bilddb/cax_de.aspx?mlfb=3RT2325-1BB40&lang=en)

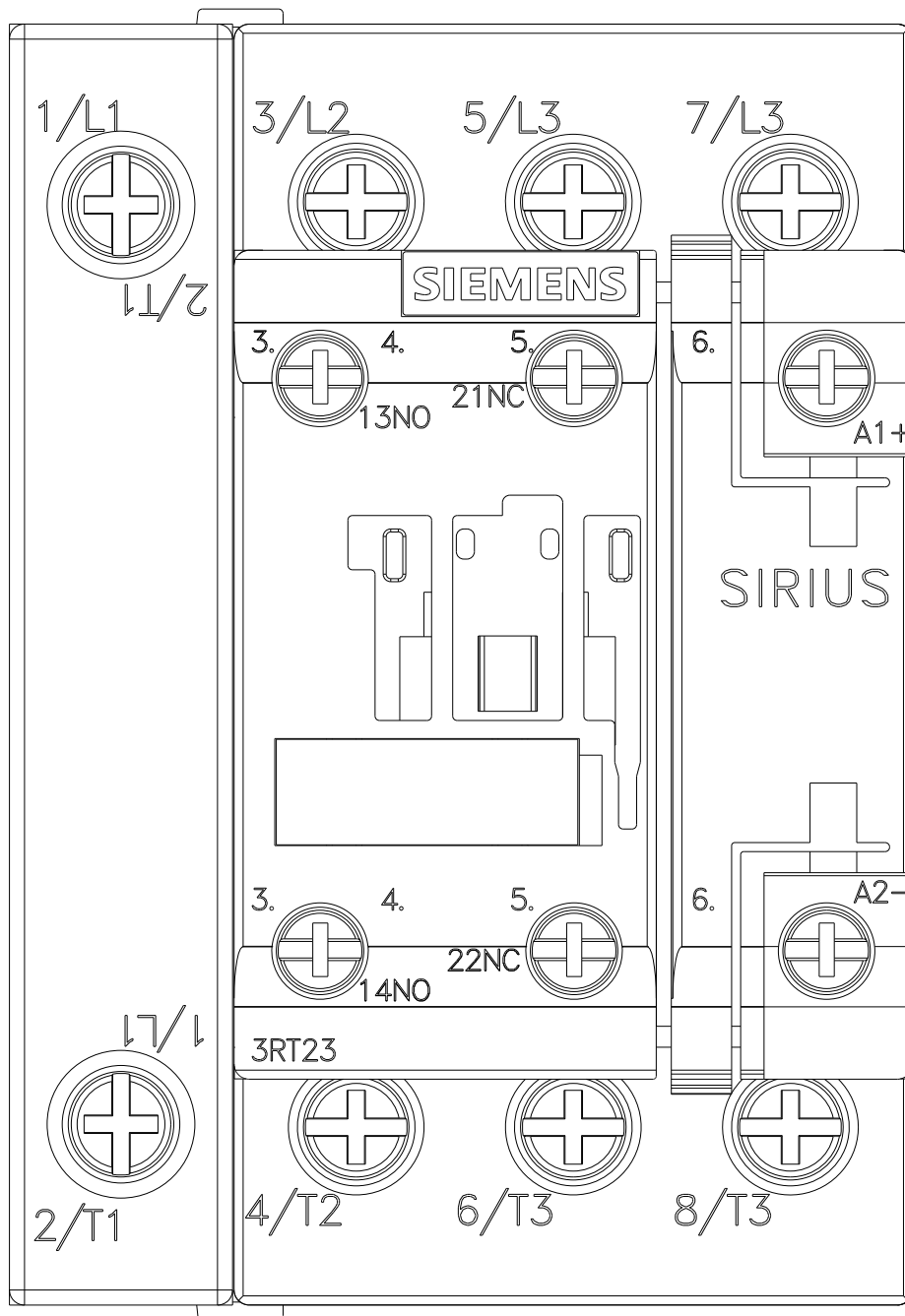
**Characteristic: Tripping characteristics, I<sup>t</sup>, Let-through current**

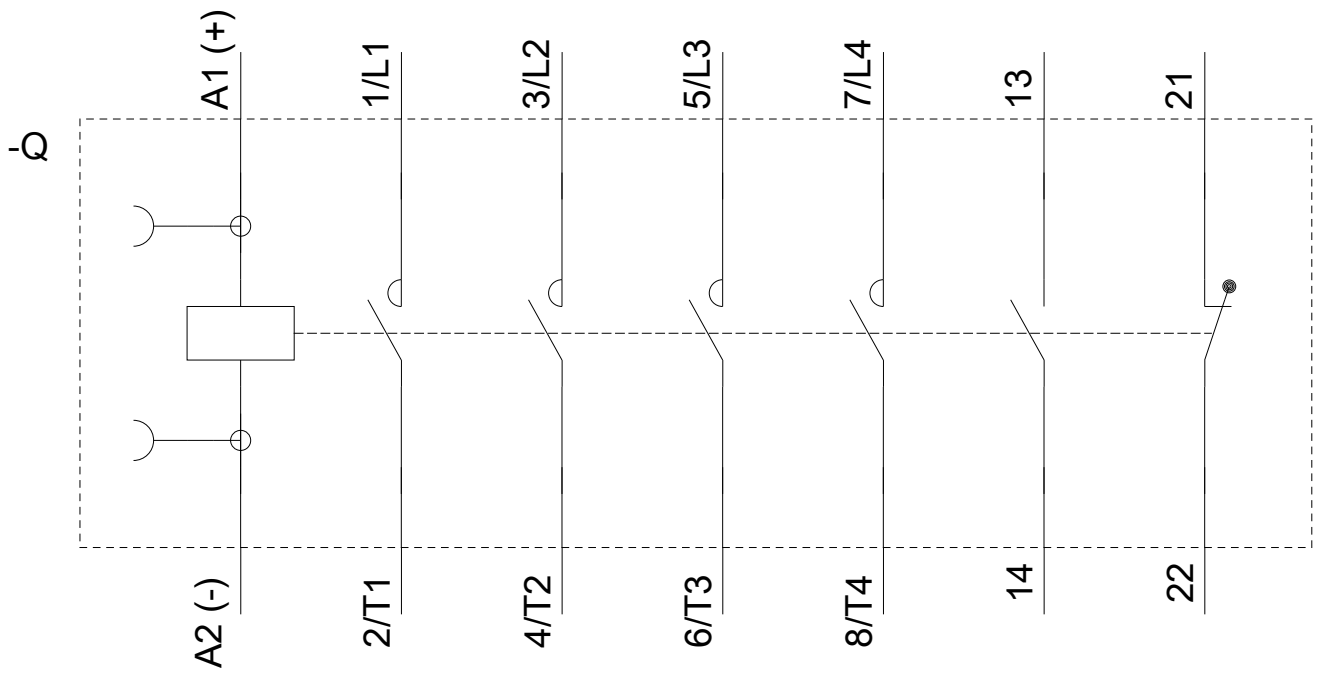
<https://support.industry.siemens.com/cs/ww/en/ps/3RT2325-1BB40/char>

Further characteristics (e.g. electrical endurance, switching frequency)

<http://www.automation.siemens.com/bilddb/index.aspx?view=Search&mlfb=3RT2325-1BB40&objecttype=14&gridview=view1>







last modified:

05/28/2020