

power contactor, AC-3 9 A, 4 kW / 400 V 1 NO + 1 NC, 24 V DC with plugged-in diode combination, 3-pole Size S0, screw terminal



Product brand name	SIRIUS
Product designation	Power contactor
Product type designation	3RT2
<b>General technical data</b>	
Size of contactor	S0
Product extension	
• function module for communication	No
• Auxiliary switch	Yes
Power loss [W] for rated value of the current	
• at AC in hot operating state	1.2 W
• at AC in hot operating state per pole	0.4 W
Power loss [W] for rated value of the current without load current share typical	5.9 W
Surge voltage resistance	
• of main circuit rated value	6 kV
• of auxiliary circuit rated value	6 kV
maximum permissible voltage for safe isolation	
• between coil and main contacts acc. to EN 60947-1	400 V

<b>Protection class IP</b>	
<ul style="list-style-type: none"> <li>• on the front</li> <li>• of the terminal</li> </ul>	IP20 IP20
<b>Shock resistance at rectangular impulse</b>	
<ul style="list-style-type: none"> <li>• at DC</li> </ul>	10g / 5 ms, 7,5g / 10 ms
<b>Shock resistance with sine pulse</b>	
<ul style="list-style-type: none"> <li>• at DC</li> </ul>	15g / 5 ms, 10g / 10 ms
<b>Mechanical service life (switching cycles)</b>	
<ul style="list-style-type: none"> <li>• of contactor typical</li> <li>• of the contactor with added electronics-compatible auxiliary switch block typical</li> <li>• of the contactor with added auxiliary switch block typical</li> </ul>	10 000 000 5 000 000 10 000 000
<b>Reference code acc. to DIN EN 81346-2</b>	Q

### Ambient conditions

<b>Installation altitude at height above sea level</b>	
<ul style="list-style-type: none"> <li>• maximum</li> </ul>	2 000 m
<b>Ambient temperature</b>	
<ul style="list-style-type: none"> <li>• during operation</li> <li>• during storage</li> </ul>	-25 ... +60 °C -55 ... +80 °C

### Main circuit

<b>Number of poles for main current circuit</b>	3
<b>Number of NO contacts for main contacts</b>	3
<b>Operating voltage</b>	
<ul style="list-style-type: none"> <li>• at AC-3 rated value maximum</li> </ul>	690 V
<b>Operating current</b>	
<ul style="list-style-type: none"> <li>• at AC-1 at 400 V <ul style="list-style-type: none"> <li>— at ambient temperature 40 °C rated value</li> </ul> </li> <li>• at AC-1 <ul style="list-style-type: none"> <li>— up to 690 V at ambient temperature 40 °C rated value</li> <li>— up to 690 V at ambient temperature 60 °C rated value</li> </ul> </li> <li>• at AC-2 at 400 V rated value</li> <li>• at AC-3 <ul style="list-style-type: none"> <li>— at 400 V rated value</li> <li>— at 500 V rated value</li> <li>— at 690 V rated value</li> </ul> </li> <li>• at AC-4 at 400 V rated value</li> <li>• at AC-5a up to 690 V rated value</li> <li>• at AC-5b up to 400 V rated value</li> <li>• at AC-6a</li> </ul>	40 A 40 A 35 A 9 A 9 A 9 A 9 A 8.5 A 35.2 A 7.4 A

— up to 230 V for current peak value n=20 rated value	11.4 A
— up to 400 V for current peak value n=20 rated value	11.4 A
— up to 500 V for current peak value n=20 rated value	9.1 A
— up to 690 V for current peak value n=20 rated value	9 A
• at AC-6a	
— up to 230 V for current peak value n=30 rated value	7.6 A
— up to 400 V for current peak value n=30 rated value	7.6 A
— up to 500 V for current peak value n=30 rated value	6.1 A
— up to 690 V for current peak value n=30 rated value	6.1 A
<b>Minimum cross-section in main circuit</b>	
• at maximum AC-1 rated value	10 mm <sup>2</sup>
<b>Operating current for approx. 200000 operating cycles at AC-4</b>	
• at 400 V rated value	4.1 A
• at 690 V rated value	3.3 A
<b>Operating current</b>	
• at 1 current path at DC-1	
— at 24 V rated value	35 A
— at 110 V rated value	4.5 A
— at 220 V rated value	1 A
— at 440 V rated value	0.4 A
— at 600 V rated value	0.25 A
• with 2 current paths in series at DC-1	
— at 24 V rated value	35 A
— at 110 V rated value	35 A
— at 220 V rated value	5 A
— at 440 V rated value	1 A
— at 600 V rated value	0.8 A
• with 3 current paths in series at DC-1	
— at 24 V rated value	35 A
— at 110 V rated value	35 A
— at 220 V rated value	35 A
— at 440 V rated value	2.9 A
— at 600 V rated value	1.4 A
<b>Operating current</b>	

<ul style="list-style-type: none"> <li>• at 1 current path at DC-3 at DC-5 <ul style="list-style-type: none"> <li>— at 24 V rated value</li> <li>— at 110 V rated value</li> <li>— at 220 V rated value</li> <li>— at 440 V rated value</li> <li>— at 600 V rated value</li> </ul> </li> <li>• with 2 current paths in series at DC-3 at DC-5 <ul style="list-style-type: none"> <li>— at 24 V rated value</li> <li>— at 110 V rated value</li> <li>— at 220 V rated value</li> <li>— at 440 V rated value</li> <li>— at 600 V rated value</li> </ul> </li> <li>• with 3 current paths in series at DC-3 at DC-5 <ul style="list-style-type: none"> <li>— at 24 V rated value</li> <li>— at 110 V rated value</li> <li>— at 220 V rated value</li> <li>— at 440 V rated value</li> <li>— at 600 V rated value</li> </ul> </li> </ul>	<p>20 A</p> <p>2.5 A</p> <p>1 A</p> <p>0.09 A</p> <p>0.06 A</p> <p>35 A</p> <p>15 A</p> <p>3 A</p> <p>0.27 A</p> <p>0.16 A</p> <p>35 A</p> <p>35 A</p> <p>10 A</p> <p>0.6 A</p> <p>0.6 A</p>
<b>Operating power</b> <ul style="list-style-type: none"> <li>• at AC-2 at 400 V rated value</li> <li>• at AC-3 <ul style="list-style-type: none"> <li>— at 230 V rated value</li> <li>— at 400 V rated value</li> <li>— at 500 V rated value</li> <li>— at 690 V rated value</li> </ul> </li> </ul>	<p>4 kW</p> <p>2.2 kW</p> <p>4 kW</p> <p>4 kW</p> <p>7.5 kW</p>
<b>Operating power for approx. 200000 operating cycles at AC-4</b> <ul style="list-style-type: none"> <li>• at 400 V rated value</li> <li>• at 690 V rated value</li> </ul>	<p>2 kW</p> <p>2.5 kW</p>
<b>Operating apparent output at AC-6a</b> <ul style="list-style-type: none"> <li>• up to 230 V for current peak value n=20 rated value</li> <li>• up to 400 V for current peak value n=20 rated value</li> <li>• up to 500 V for current peak value n=20 rated value</li> <li>• up to 690 V for current peak value n=20 rated value</li> </ul>	<p>4 500 V·A</p> <p>7 800 V·A</p> <p>7 800 V·A</p> <p>10 700 V·A</p>
<b>Operating apparent output at AC-6a</b> <ul style="list-style-type: none"> <li>• up to 230 V for current peak value n=30 rated value</li> <li>• up to 400 V for current peak value n=30 rated value</li> </ul>	<p>3 000 V·A</p> <p>5 200 V·A</p>

<ul style="list-style-type: none"> <li>• up to 500 V for current peak value n=30 rated value</li> </ul>	5 200 V·A
<ul style="list-style-type: none"> <li>• up to 690 V for current peak value n=30 rated value</li> </ul>	7 200 V·A
<b>Short-time withstand current in cold operating state up to 40 °C</b>	
<ul style="list-style-type: none"> <li>• limited to 1 s switching at zero current maximum</li> </ul>	170 A; Use minimum cross-section acc. to AC-1 rated value
<ul style="list-style-type: none"> <li>• limited to 5 s switching at zero current maximum</li> </ul>	170 A; Use minimum cross-section acc. to AC-1 rated value
<ul style="list-style-type: none"> <li>• limited to 10 s switching at zero current maximum</li> </ul>	122 A; Use minimum cross-section acc. to AC-1 rated value
<ul style="list-style-type: none"> <li>• limited to 30 s switching at zero current maximum</li> </ul>	78 A; Use minimum cross-section acc. to AC-1 rated value
<ul style="list-style-type: none"> <li>• limited to 60 s switching at zero current maximum</li> </ul>	68 A; Use minimum cross-section acc. to AC-1 rated value
<b>No-load switching frequency</b>	
<ul style="list-style-type: none"> <li>• at DC</li> </ul>	1 500 1/h
<b>Operating frequency</b>	
<ul style="list-style-type: none"> <li>• at AC-1 maximum</li> </ul>	1 000 1/h
<ul style="list-style-type: none"> <li>• at AC-2 maximum</li> </ul>	1 000 1/h
<ul style="list-style-type: none"> <li>• at AC-3 maximum</li> </ul>	1 000 1/h
<ul style="list-style-type: none"> <li>• at AC-4 maximum</li> </ul>	300 1/h
<b>Control circuit/ Control</b>	
<b>Type of voltage of the control supply voltage</b>	DC
<b>Control supply voltage at DC</b>	
<ul style="list-style-type: none"> <li>• rated value</li> </ul>	24 V
<b>Operating range factor control supply voltage rated value of magnet coil at DC</b>	
<ul style="list-style-type: none"> <li>• initial value</li> </ul>	0.8
<ul style="list-style-type: none"> <li>• Full-scale value</li> </ul>	1.1
<b>Design of the surge suppressor</b>	with diode assemblies
<b>Closing power of magnet coil at DC</b>	5.9 W
<b>Holding power of magnet coil at DC</b>	5.9 W
<b>Closing delay</b>	
<ul style="list-style-type: none"> <li>• at DC</li> </ul>	50 ... 170 ms
<b>Opening delay</b>	
<ul style="list-style-type: none"> <li>• at DC</li> </ul>	15 ... 17.5 ms
<b>Arcing time</b>	10 ... 10 ms
<b>Control version of the switch operating mechanism</b>	Standard A1 - A2
<b>Auxiliary circuit</b>	
<b>Number of NC contacts for auxiliary contacts</b>	
<ul style="list-style-type: none"> <li>• instantaneous contact</li> </ul>	1

<b>Number of NO contacts for auxiliary contacts</b>	
• instantaneous contact	1
Operating current at AC-12 maximum	10 A
<b>Operating current at AC-15</b>	
• at 230 V rated value	10 A
• at 400 V rated value	3 A
• at 500 V rated value	2 A
• at 690 V rated value	1 A
<b>Operating current at DC-12</b>	
• at 24 V rated value	10 A
• at 48 V rated value	6 A
• at 60 V rated value	6 A
• at 110 V rated value	3 A
• at 125 V rated value	2 A
• at 220 V rated value	1 A
• at 600 V rated value	0.15 A
<b>Operating current at DC-13</b>	
• at 24 V rated value	10 A
• at 48 V rated value	2 A
• at 60 V rated value	2 A
• at 110 V rated value	1 A
• at 125 V rated value	0.9 A
• at 220 V rated value	0.3 A
• at 600 V rated value	0.1 A
<b>Contact reliability of auxiliary contacts</b>	1 faulty switching per 100 million (17 V, 1 mA)

### UL/CSA ratings

<b>Full-load current (FLA) for three-phase AC motor</b>	
• at 480 V rated value	7.6 A
• at 600 V rated value	9 A
<b>Yielded mechanical performance [hp]</b>	
• for single-phase AC motor	
— at 110/120 V rated value	1 hp
— at 230 V rated value	1 hp
• for three-phase AC motor	
— at 200/208 V rated value	2 hp
— at 220/230 V rated value	3 hp
— at 460/480 V rated value	5 hp
— at 575/600 V rated value	7.5 hp
<b>Contact rating of auxiliary contacts according to UL</b>	A600 / P600

### Short-circuit protection

<b>Design of the fuse link</b>	
--------------------------------	--

- for short-circuit protection of the main circuit
  - with type of coordination 1 required
  - with type of assignment 2 required
- for short-circuit protection of the auxiliary switch required

gG: 63A (690V,100kA), aM: 32A (690V,100kA), BS88: 63A (415V,80kA)

gG: 25A (690V,100kA), aM: 20A (690V,100kA), BS88: 25A (415V,80kA)

gG: 10 A (500 V, 1 kA)

## Installation/ mounting/ dimensions

<b>Mounting position</b>	+/-180° rotation possible on vertical mounting surface; can be tilted forward and backward by +/- 22.5° on vertical mounting surface
<b>Mounting type</b>	screw and snap-on mounting onto 35 mm standard mounting rail according to DIN EN 60715
<ul style="list-style-type: none"> <li>• Side-by-side mounting</li> </ul>	Yes
<b>Height</b>	85 mm
<b>Width</b>	45 mm
<b>Depth</b>	107 mm
<b>Required spacing</b>	
<ul style="list-style-type: none"> <li>• with side-by-side mounting           <ul style="list-style-type: none"> <li>— forwards</li> <li>— upwards</li> <li>— downwards</li> <li>— at the side</li> </ul> </li> <li>• for grounded parts           <ul style="list-style-type: none"> <li>— forwards</li> <li>— upwards</li> <li>— at the side</li> <li>— downwards</li> </ul> </li> <li>• for live parts           <ul style="list-style-type: none"> <li>— forwards</li> <li>— upwards</li> <li>— downwards</li> <li>— at the side</li> </ul> </li> </ul>	10 mm 10 mm 10 mm 0 mm  10 mm 10 mm 6 mm 10 mm  10 mm 10 mm 10 mm 6 mm

## Connections/ Terminals

<b>Type of electrical connection</b>	
<ul style="list-style-type: none"> <li>• for main current circuit</li> <li>• for auxiliary and control current circuit</li> <li>• at contactor for auxiliary contacts</li> <li>• of magnet coil</li> </ul>	screw-type terminals screw-type terminals Screw-type terminals Screw-type terminals
<b>Type of connectable conductor cross-sections</b>	
<ul style="list-style-type: none"> <li>• for main contacts           <ul style="list-style-type: none"> <li>— solid</li> </ul> </li> </ul>	2x (1 ... 2.5 mm <sup>2</sup> ), 2x (2.5 ... 10 mm <sup>2</sup> )

<ul style="list-style-type: none"> <li>— single or multi-stranded</li> <li>— finely stranded with core end processing</li> <li>• at AWG conductors for main contacts</li> </ul>	<p>2x (1 ... 2,5 mm<sup>2</sup>), 2x (2,5 ... 10 mm<sup>2</sup>)</p> <p>2x (1 ... 2.5 mm<sup>2</sup>), 2x (2.5 ... 6 mm<sup>2</sup>), 1x 10 mm<sup>2</sup></p> <p>2x (16 ... 12), 2x (14 ... 8)</p>
<b>Connectable conductor cross-section for main contacts</b> <ul style="list-style-type: none"> <li>• solid</li> <li>• stranded</li> <li>• finely stranded with core end processing</li> </ul>	<p>1 ... 10 mm<sup>2</sup></p> <p>1 ... 10 mm<sup>2</sup></p> <p>1 ... 10 mm<sup>2</sup></p>
<b>Connectable conductor cross-section for auxiliary contacts</b> <ul style="list-style-type: none"> <li>• single or multi-stranded</li> <li>• finely stranded with core end processing</li> </ul>	<p>0.5 ... 2.5 mm<sup>2</sup></p> <p>0.5 ... 2.5 mm<sup>2</sup></p>
<b>Type of connectable conductor cross-sections</b> <ul style="list-style-type: none"> <li>• for auxiliary contacts <ul style="list-style-type: none"> <li>— single or multi-stranded</li> <li>— finely stranded with core end processing</li> </ul> </li> <li>• at AWG conductors for auxiliary contacts</li> </ul>	<p>2x (0,5 ... 1,5 mm<sup>2</sup>), 2x (0,75 ... 2,5 mm<sup>2</sup>)</p> <p>2x (0.5 ... 1.5 mm<sup>2</sup>), 2x (0.75 ... 2.5 mm<sup>2</sup>)</p> <p>2x (20 ... 16), 2x (18 ... 14)</p>
<b>AWG number as coded connectable conductor cross section</b> <ul style="list-style-type: none"> <li>• for main contacts</li> <li>• for auxiliary contacts</li> </ul>	<p>16 ... 8</p> <p>20 ... 14</p>

Safety related data	
<b>B10 value</b> <ul style="list-style-type: none"> <li>• with high demand rate acc. to SN 31920</li> </ul>	1 000 000
<b>Proportion of dangerous failures</b> <ul style="list-style-type: none"> <li>• with low demand rate acc. to SN 31920</li> <li>• with high demand rate acc. to SN 31920</li> </ul>	<p>40 %</p> <p>73 %</p>
<b>Failure rate [FIT]</b> <ul style="list-style-type: none"> <li>• with low demand rate acc. to SN 31920</li> </ul>	100 FIT
<b>Product function</b> <ul style="list-style-type: none"> <li>• Mirror contact acc. to IEC 60947-4-1</li> </ul>	Yes
<b>T1 value for proof test interval or service life acc. to IEC 61508</b>	20 y
<b>Protection against electrical shock</b>	finger-safe
<b>Suitability for use safety-related switching OFF</b>	Yes

Certificates/ approvals
-------------------------

General Product Approval	EMC
--------------------------	-----



[KC](#)



Functional Safety/Safety of Machinery	Declaration of Conformity	Test Certificates	Marine / Shipping
---------------------------------------	---------------------------	-------------------	-------------------

[Type Examination Certificate](#)



[Miscellaneous](#)

[Type Test Certificates/Test Report](#)

[Special Test Certificate](#)



Marine / Shipping	other
-------------------	-------



[Confirmation](#)

other
-------



### Further information

**Information- and Downloadcenter (Catalogs, Brochures,...)**

<https://www.siemens.com/ic10>

**Industry Mall (Online ordering system)**

<https://mall.industry.siemens.com/mall/en/en/Catalog/product?mlfb=3RT2023-1FB40>

**Cax online generator**

<http://support.automation.siemens.com/WW/CAXorder/default.aspx?lang=en&mlfb=3RT2023-1FB40>

**Service&Support (Manuals, Certificates, Characteristics, FAQs,...)**

<https://support.industry.siemens.com/cs/ww/en/ps/3RT2023-1FB40>

**Image database (product images, 2D dimension drawings, 3D models, device circuit diagrams, EPLAN macros, ...)**

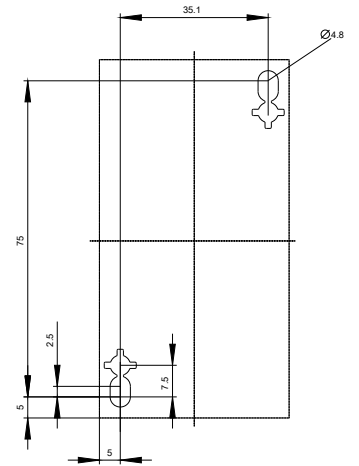
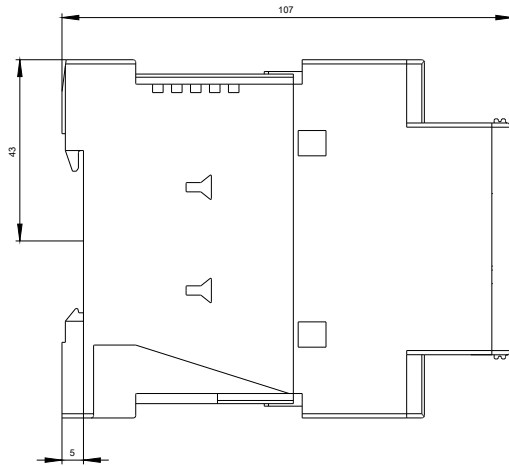
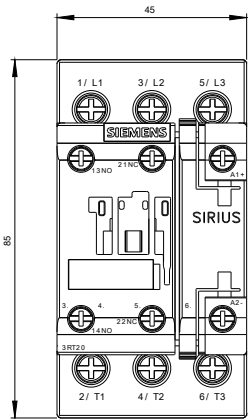
[http://www.automation.siemens.com/bilddb/cax\\_de.aspx?mlfb=3RT2023-1FB40&lang=en](http://www.automation.siemens.com/bilddb/cax_de.aspx?mlfb=3RT2023-1FB40&lang=en)

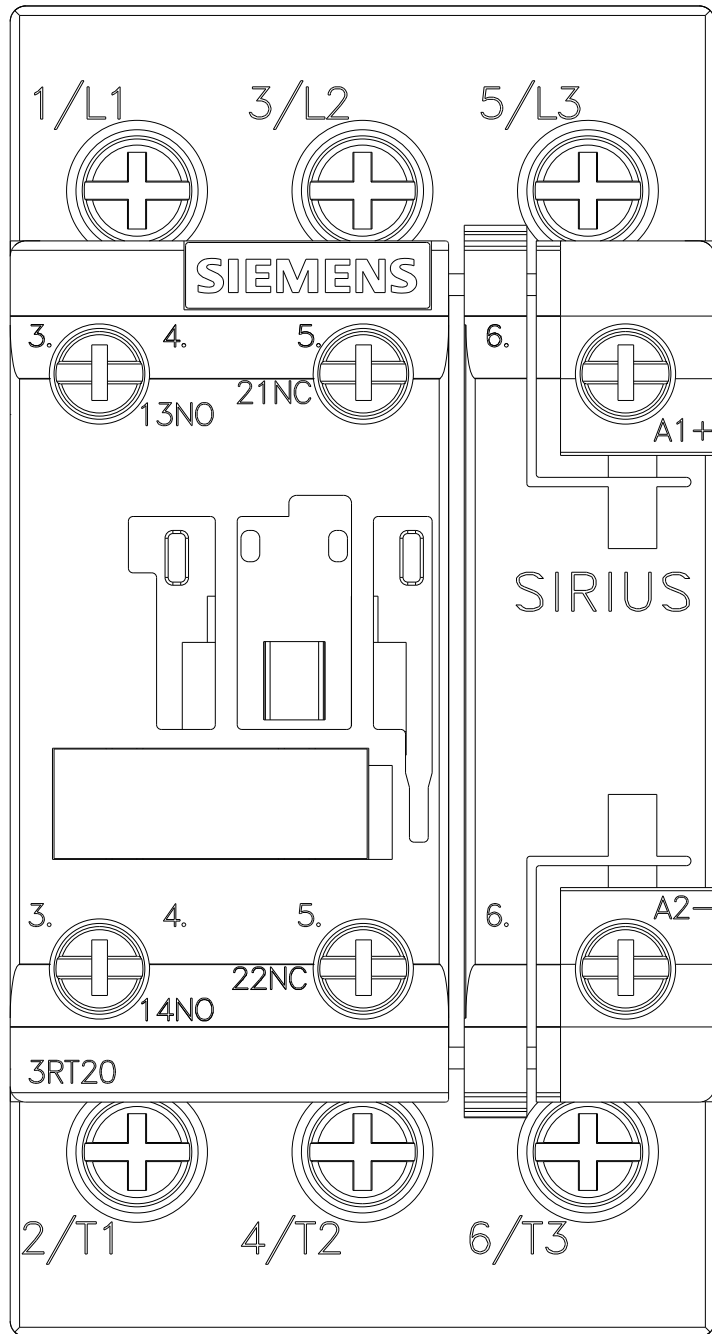
**Characteristic: Tripping characteristics, I<sup>2</sup>t, Let-through current**

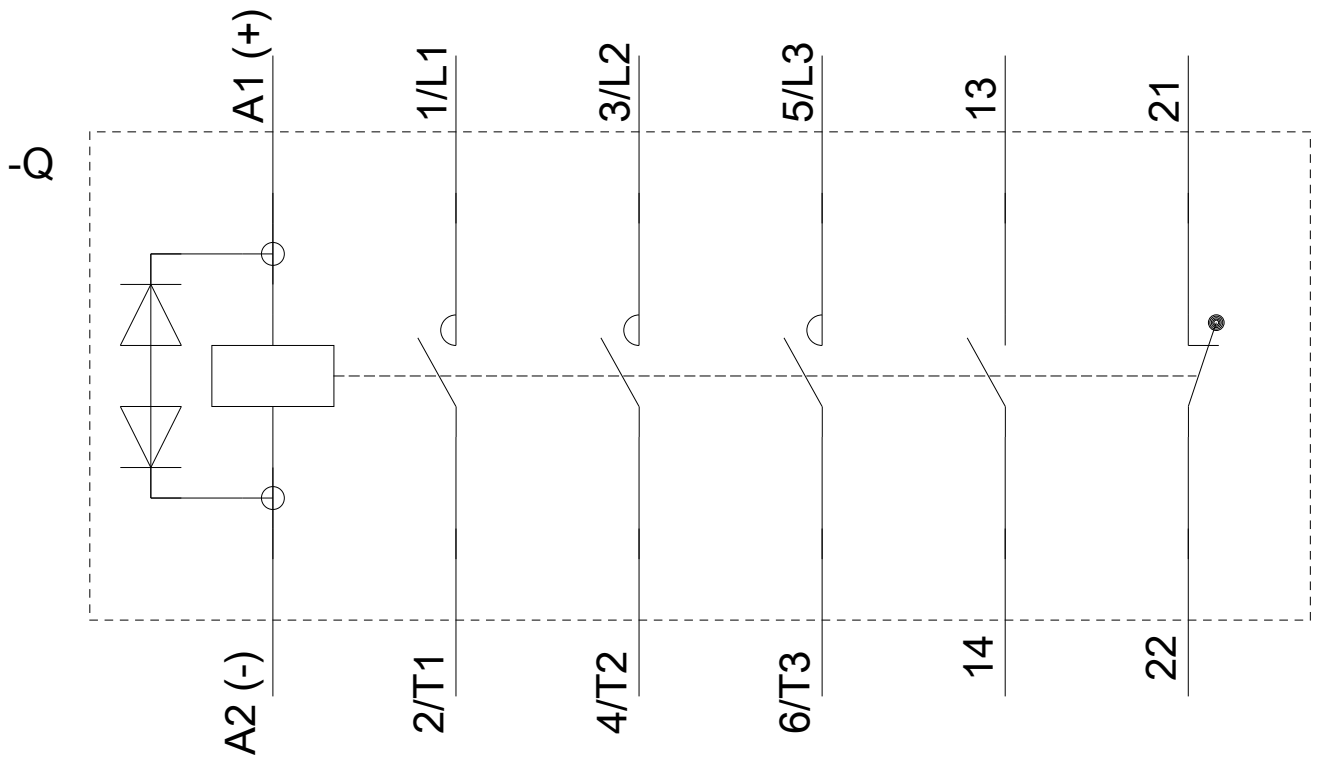
<https://support.industry.siemens.com/cs/ww/en/ps/3RT2023-1FB40/char>

**Further characteristics (e.g. electrical endurance, switching frequency)**

<http://www.automation.siemens.com/bilddb/index.aspx?view=Search&mlfb=3RT2023-1FB40&objecttype=14&gridview=view1>







last modified:

05/15/2020