

Power contactor, AC-3 16 A, 7.5 kW / 400 V 1 NC, 24 V DC 3-pole,
Size S00 screw terminals



product brand name	SIRIUS
product designation	Power contactor
product type designation	3RT2

General technical data	
size of contactor	S00
product extension	
<ul style="list-style-type: none"> function module for communication 	No
<ul style="list-style-type: none"> auxiliary switch 	Yes
power loss [W] for rated value of the current	
<ul style="list-style-type: none"> at AC in hot operating state 	6.6 W
<ul style="list-style-type: none"> at AC in hot operating state per pole 	2.2 W
power loss [W] for rated value of the current without load current share typical	4 W
surge voltage resistance	
<ul style="list-style-type: none"> of main circuit rated value 	6 kV
<ul style="list-style-type: none"> of auxiliary circuit rated value 	6 kV
maximum permissible voltage for safe isolation	
<ul style="list-style-type: none"> between coil and main contacts acc. to EN 60947-1 	400 V

protection class IP	
• on the front	IP20
• of the terminal	IP20
shock resistance at rectangular impulse	
• at DC	7.3g / 5 ms, 4.7g / 10 ms
shock resistance with sine pulse	
• at DC	11,4g / 5 ms, 7,3g / 10 ms
mechanical service life (switching cycles)	
• of contactor typical	30 000 000
• of the contactor with added electronically optimized auxiliary switch block typical	5 000 000
• of the contactor with added auxiliary switch block typical	10 000 000
reference code acc. to IEC 81346-2	Q

Ambient conditions	
• installation altitude at height above sea level maximum	2 000 m
ambient temperature	
• during operation	-25 ... +60 °C
• during storage	-55 ... +80 °C

Main circuit	
number of poles for main current circuit	3
number of NO contacts for main contacts	3
operating voltage	
• at AC-3 rated value maximum	690 V
operational current	
• at AC-1 at 400 V — at ambient temperature 40 °C rated value	22 A
• at AC-1 — up to 690 V at ambient temperature 40 °C rated value	22 A
— up to 690 V at ambient temperature 60 °C rated value	20 A
• at AC-3 — at 400 V rated value	16 A
— at 500 V rated value	12.4 A
— at 690 V rated value	8.9 A
• at AC-4 at 400 V rated value	11.5 A
• at AC-5a up to 690 V rated value	19.4 A
• at AC-5b up to 400 V rated value	13.2 A
• at AC-6a	

— up to 230 V for current peak value n=20 rated value	9.6 A
— up to 400 V for current peak value n=20 rated value	9.6 A
— up to 500 V for current peak value n=20 rated value	9.6 A
— up to 690 V for current peak value n=20 rated value	8.9 A
• at AC-6a	
— up to 230 V for current peak value n=30 rated value	6.6 A
— up to 400 V for current peak value n=30 rated value	6.4 A
— up to 500 V for current peak value n=30 rated value	6.4 A
— up to 690 V for current peak value n=30 rated value	6.4 A
minimum cross-section in main circuit	
• at maximum AC-1 rated value	4 mm ²
operational current for approx. 200000 operating cycles at AC-4	
• at 400 V rated value	5.5 A
• at 690 V rated value	4.4 A
operational current	
• at 1 current path at DC-1	
— at 24 V rated value	20 A
— at 110 V rated value	2.1 A
— at 220 V rated value	0.8 A
— at 440 V rated value	0.6 A
— at 600 V rated value	0.6 A
• with 2 current paths in series at DC-1	
— at 24 V rated value	20 A
— at 110 V rated value	12 A
— at 220 V rated value	1.6 A
— at 440 V rated value	0.8 A
— at 600 V rated value	0.7 A
• with 3 current paths in series at DC-1	
— at 24 V rated value	20 A
— at 110 V rated value	20 A
— at 220 V rated value	20 A
— at 440 V rated value	1.3 A
— at 600 V rated value	1 A
operational current	

<ul style="list-style-type: none"> • at 1 current path at DC-3 at DC-5 <ul style="list-style-type: none"> — at 24 V rated value — at 110 V rated value • with 2 current paths in series at DC-3 at DC-5 <ul style="list-style-type: none"> — at 24 V rated value — at 110 V rated value • with 3 current paths in series at DC-3 at DC-5 <ul style="list-style-type: none"> — at 24 V rated value — at 110 V rated value — at 220 V rated value — at 440 V rated value — at 600 V rated value 	<p>20 A</p> <p>0.1 A</p> <p>20 A</p> <p>0.35 A</p> <p>20 A</p> <p>20 A</p> <p>1.5 A</p> <p>0.2 A</p> <p>0.2 A</p>
<p>operating power</p> <ul style="list-style-type: none"> • at AC-3 <ul style="list-style-type: none"> — at 230 V rated value — at 400 V rated value — at 500 V rated value — at 690 V rated value 	<p>4 kW</p> <p>7.5 kW</p> <p>7.5 kW</p> <p>7.5 kW</p>
<p>operating power for approx. 200000 operating cycles at AC-4</p> <ul style="list-style-type: none"> • at 400 V rated value • at 690 V rated value 	<p>2.5 kW</p> <p>3.5 kW</p>
<p>operating apparent power at AC-6a</p> <ul style="list-style-type: none"> • up to 230 V for current peak value n=20 rated value • up to 400 V for current peak value n=20 rated value • up to 500 V for current peak value n=20 rated value • up to 690 V for current peak value n=20 rated value 	<p>3.8 kV·A</p> <p>6.6 kV·A</p> <p>8.3 kV·A</p> <p>10.6 kV·A</p>
<p>operating apparent power at AC-6a</p> <ul style="list-style-type: none"> • up to 230 V for current peak value n=30 rated value • up to 400 V for current peak value n=30 rated value • up to 500 V for current peak value n=30 rated value • up to 690 V for current peak value n=30 rated value 	<p>2.5 kV·A</p> <p>4.4 kV·A</p> <p>5.5 kV·A</p> <p>7.6 kV·A</p>
<p>short-time withstand current in cold operating state up to 40 °C</p>	

<ul style="list-style-type: none"> • limited to 1 s switching at zero current maximum • limited to 5 s switching at zero current maximum • limited to 10 s switching at zero current maximum • limited to 30 s switching at zero current maximum • limited to 60 s switching at zero current maximum 	<p>300 A; Use minimum cross-section acc. to AC-1 rated value</p> <p>169 A; Use minimum cross-section acc. to AC-1 rated value</p> <p>128 A; Use minimum cross-section acc. to AC-1 rated value</p> <p>92 A; Use minimum cross-section acc. to AC-1 rated value</p> <p>74 A; Use minimum cross-section acc. to AC-1 rated value</p>
no-load switching frequency	
<ul style="list-style-type: none"> • at DC 	10 000 1/h
operating frequency	
<ul style="list-style-type: none"> • at AC-1 maximum • at AC-2 maximum • at AC-3 maximum • at AC-4 maximum 	<p>1 000 1/h</p> <p>750 1/h</p> <p>750 1/h</p> <p>250 1/h</p>

Control circuit/ Control

type of voltage of the control supply voltage	DC
control supply voltage at DC	
<ul style="list-style-type: none"> • rated value 	24 V
operating range factor control supply voltage rated value of magnet coil at DC	
<ul style="list-style-type: none"> • initial value • full-scale value 	<p>0.8</p> <p>1.1</p>
closing power of magnet coil at DC	4 W
holding power of magnet coil at DC	4 W
closing delay	
<ul style="list-style-type: none"> • at DC 	30 ... 100 ms
opening delay	
<ul style="list-style-type: none"> • at DC 	7 ... 13 ms
arcing time	10 ... 15 ms
control version of the switch operating mechanism	Standard A1 - A2

Auxiliary circuit

number of NC contacts for auxiliary contacts	
<ul style="list-style-type: none"> • instantaneous contact 	1
operational current at AC-12 maximum	10 A
operational current at AC-15	
<ul style="list-style-type: none"> • at 230 V rated value • at 400 V rated value • at 500 V rated value • at 690 V rated value 	<p>10 A</p> <p>3 A</p> <p>2 A</p> <p>1 A</p>

operational current at DC-12	
• at 24 V rated value	10 A
• at 48 V rated value	6 A
• at 60 V rated value	6 A
• at 110 V rated value	3 A
• at 125 V rated value	2 A
• at 220 V rated value	1 A
• at 600 V rated value	0.15 A
operational current at DC-13	
• at 24 V rated value	10 A
• at 48 V rated value	2 A
• at 60 V rated value	2 A
• at 110 V rated value	1 A
• at 125 V rated value	0.9 A
• at 220 V rated value	0.3 A
• at 600 V rated value	0.1 A
contact reliability of auxiliary contacts	1 faulty switching per 100 million (17 V, 1 mA)

UL/CSA ratings

full-load current (FLA) for 3-phase AC motor	
• at 480 V rated value	14 A
• at 600 V rated value	11 A
yielded mechanical performance [hp]	
• for single-phase AC motor	
— at 110/120 V rated value	1 hp
— at 230 V rated value	2 hp
• for 3-phase AC motor	
— at 200/208 V rated value	3 hp
— at 220/230 V rated value	5 hp
— at 460/480 V rated value	10 hp
— at 575/600 V rated value	10 hp
contact rating of auxiliary contacts according to UL	A600 / Q600

Short-circuit protection

design of the fuse link	
• for short-circuit protection of the main circuit	
— with type of coordination 1 required	gG: 50A (690V,100kA), aM: 25A (690V,100kA), BS88: 50A (415V,80kA)
— with type of assignment 2 required	gG: 25A (690V,100kA), aM: 20A (690V,100kA), BS88: 25A (415V,80kA)
• for short-circuit protection of the auxiliary switch required	gG: 10 A (500 V, 1 kA)

Installation/ mounting/ dimensions

mounting position	+/-180° rotation possible on vertical mounting surface; can be tilted forward and backward by +/- 22.5° on vertical mounting surface
fastening method	screw and snap-on mounting onto 35 mm standard mounting rail according to DIN EN 60715
<ul style="list-style-type: none"> • side-by-side mounting 	Yes
height	58 mm
width	45 mm
depth	73 mm
required spacing	
<ul style="list-style-type: none"> • with side-by-side mounting <ul style="list-style-type: none"> — forwards — upwards — downwards — at the side • for grounded parts <ul style="list-style-type: none"> — forwards — upwards — at the side — downwards • for live parts <ul style="list-style-type: none"> — forwards — upwards — downwards — at the side 	10 mm 10 mm 10 mm 0 mm 10 mm 10 mm 6 mm 10 mm 10 mm 10 mm 10 mm 6 mm

Connections/ Terminals

type of electrical connection	
<ul style="list-style-type: none"> • for main current circuit • for auxiliary and control circuit • at contactor for auxiliary contacts • of magnet coil 	screw-type terminals screw-type terminals Screw-type terminals Screw-type terminals
type of connectable conductor cross-sections	
<ul style="list-style-type: none"> • for main contacts <ul style="list-style-type: none"> — solid — solid or stranded — finely stranded with core end processing • at AWG cables for main contacts 	2x (0.5 ... 1.5 mm ²), 2x (0.75 ... 2.5 mm ²), 2x 4 mm ² 2x (0,5 ... 1,5 mm ²), 2x (0,75 ... 2,5 mm ²), 2x 4 mm ² 2x (0.5 ... 1.5 mm ²), 2x (0.75 ... 2.5 mm ²) 2x (20 ... 16), 2x (18 ... 14), 2x 12
connectable conductor cross-section for main contacts	
<ul style="list-style-type: none"> • solid • stranded • finely stranded with core end processing 	0.5 ... 4 mm ² 0.5 ... 4 mm ² 0.5 ... 2.5 mm ²

connectable conductor cross-section for auxiliary contacts	
<ul style="list-style-type: none"> • solid or stranded • finely stranded with core end processing 	<p>0.5 ... 4 mm²</p> <p>0.5 ... 2.5 mm²</p>
<ul style="list-style-type: none"> • type of connectable conductor cross-sections for auxiliary contacts <ul style="list-style-type: none"> — solid or stranded — finely stranded with core end processing • type of connectable conductor cross-sections at AWG cables for auxiliary contacts 	<p>2x (0,5 ... 1,5 mm²), 2x (0,75 ... 2,5 mm²), 2x 4 mm²</p> <p>2x (0.5 ... 1.5 mm²), 2x (0.75 ... 2.5 mm²)</p> <p>2x (20 ... 16), 2x (18 ... 14), 2x 12</p>
AWG number as coded connectable conductor cross section	
<ul style="list-style-type: none"> • for main contacts • for auxiliary contacts 	<p>20 ... 12</p> <p>20 ... 12</p>

Safety related data

B10 value	
<ul style="list-style-type: none"> • with high demand rate acc. to SN 31920 	1 000 000
proportion of dangerous failures	
<ul style="list-style-type: none"> • with low demand rate acc. to SN 31920 • with high demand rate acc. to SN 31920 	<p>40 %</p> <p>73 %</p>
failure rate [FIT]	
<ul style="list-style-type: none"> • with low demand rate acc. to SN 31920 	100 FIT
product function	
<ul style="list-style-type: none"> • mirror contact acc. to IEC 60947-4-1 	Yes
T1 value for proof test interval or service life acc. to IEC 61508	20 y
touch protection against electrical shock	finger-safe
suitability for use safety-related switching OFF	Yes

Certificates/ approvals

General Product Approval	EMC
--------------------------	-----



[KC](#)



Declaration of Conformity	Test Certificates	Marine / Shipping
---------------------------	-------------------	-------------------



[Miscellaneous](#)

[Type Test Certificates/Test Report](#)

[Special Test Certificate](#)



Marine / Shipping	other
-------------------	-------



[Confirmation](#)

other



Further information

Information- and Downloadcenter (Catalogs, Brochures,...)

<https://www.siemens.com/ic10>

Industry Mall (Online ordering system)

<https://mall.industry.siemens.com/mall/en/en/Catalog/product?mlfb=3RT2018-1BB42>

Cax online generator

<http://support.automation.siemens.com/WW/CAXorder/default.aspx?lang=en&mlfb=3RT2018-1BB42>

Service&Support (Manuals, Certificates, Characteristics, FAQs,...)

<https://support.industry.siemens.com/cs/ww/en/ps/3RT2018-1BB42>

Image database (product images, 2D dimension drawings, 3D models, device circuit diagrams, EPLAN macros, ...)

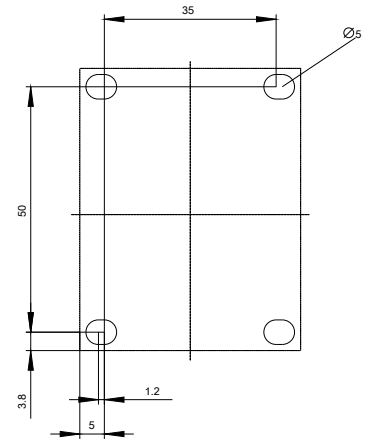
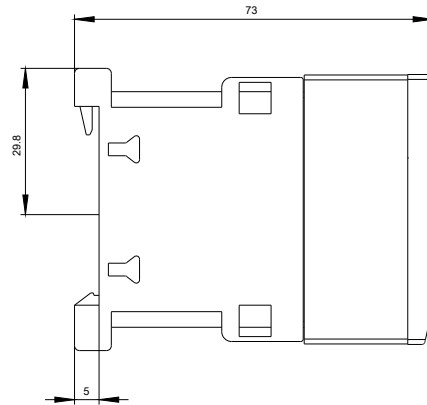
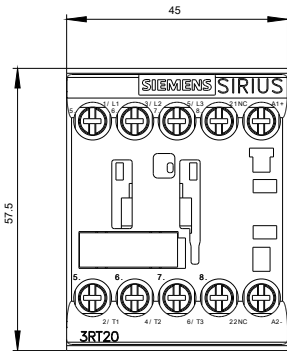
http://www.automation.siemens.com/bilddb/cax_de.aspx?mlfb=3RT2018-1BB42&lang=en

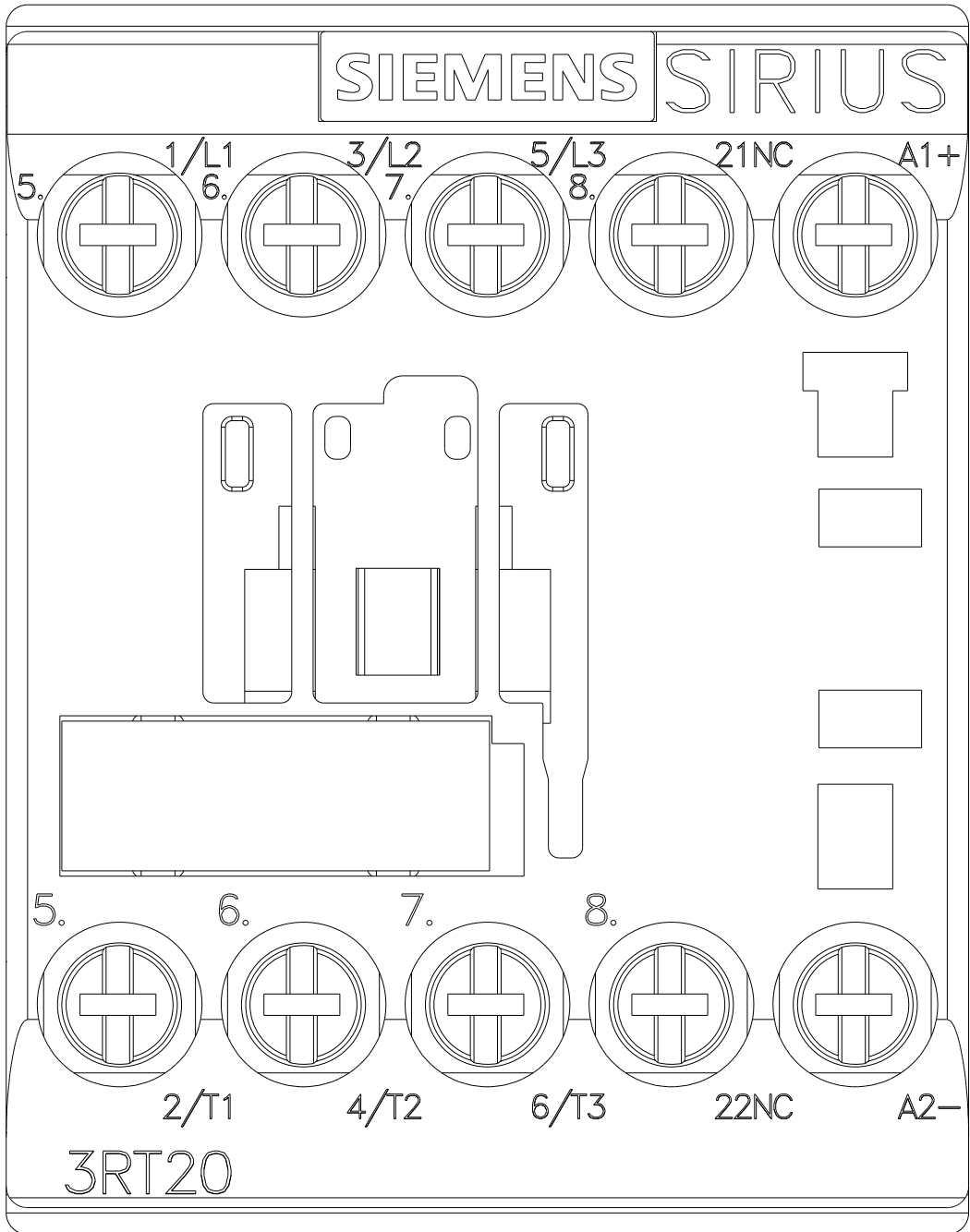
Characteristic: Tripping characteristics, I²t, Let-through current

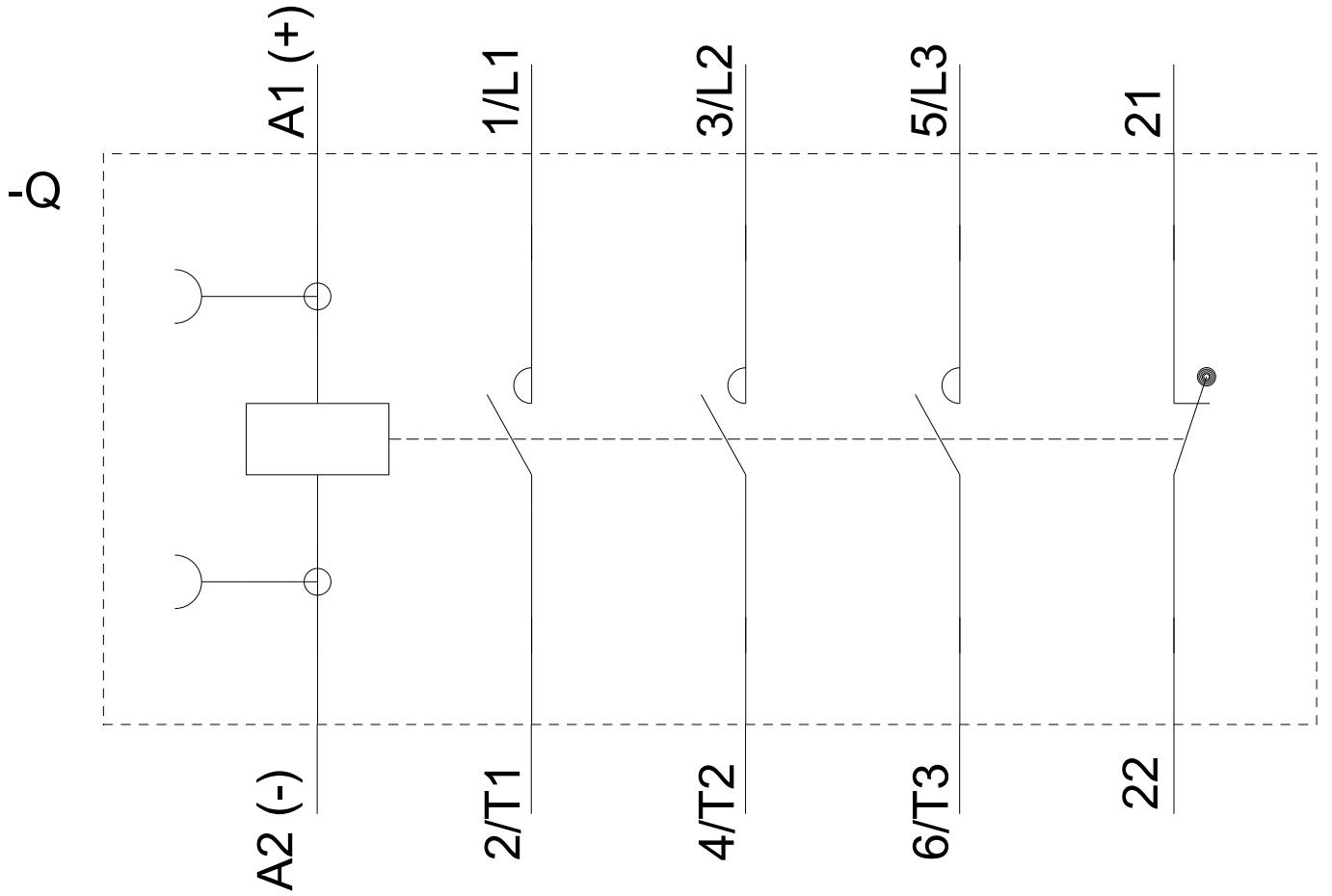
<https://support.industry.siemens.com/cs/ww/en/ps/3RT2018-1BB42/char>

Further characteristics (e.g. electrical endurance, switching frequency)

<http://www.automation.siemens.com/bilddb/index.aspx?view=Search&mlfb=3RT2018-1BB42&objecttype=14&gridview=view1>







last modified:

11/23/2020