

Power contactor, AC-3 16 A, 7.5 kW / 400 V 2 NO + 2 NC, 24 V DC
3-pole, Size S00 Screw terminal Captive auxiliary switch



| | |
|--|-----------------|
| Product brand name | SIRIUS |
| Product designation | Power contactor |
| Product type designation | 3RT2 |
| General technical data | |
| Size of contactor | S00 |
| Product extension | |
| • function module for communication | No |
| • Auxiliary switch | No |
| Power loss [W] for rated value of the current | |
| • at AC in hot operating state | 6.6 W |
| • at AC in hot operating state per pole | 2.2 W |
| Power loss [W] for rated value of the current without load current share typical | 4 W |
| Surge voltage resistance | |
| • of main circuit rated value | 6 kV |
| • of auxiliary circuit rated value | 6 kV |
| maximum permissible voltage for safe isolation | |
| • between coil and main contacts acc. to EN 60947-1 | 400 V |

| | |
|---|----------------------------|
| Protection class IP | |
| • on the front | IP20 |
| • of the terminal | IP20 |
| Shock resistance at rectangular impulse | |
| • at DC | 7.3g / 5 ms, 4.7g / 10 ms |
| Shock resistance with sine pulse | |
| • at DC | 11,4g / 5 ms, 7,3g / 10 ms |
| Mechanical service life (switching cycles) | |
| • of contactor typical | 10 000 000 |
| • of the contactor with added electronics-compatible auxiliary switch block typical | 5 000 000 |
| • of the contactor with added auxiliary switch block typical | 10 000 000 |
| Reference code acc. to DIN EN 81346-2 | Q |

Ambient conditions

| | |
|--|----------------|
| Installation altitude at height above sea level | |
| • maximum | 2 000 m |
| Ambient temperature | |
| • during operation | -25 ... +60 °C |
| • during storage | -55 ... +80 °C |

Main circuit

| | |
|--|--------|
| Number of poles for main current circuit | 3 |
| Number of NO contacts for main contacts | 3 |
| Operating voltage | |
| • at AC-3 rated value maximum | 690 V |
| Operating current | |
| • at AC-1 at 400 V | |
| — at ambient temperature 40 °C rated value | 22 A |
| • at AC-1 | |
| — up to 690 V at ambient temperature 40 °C rated value | 22 A |
| — up to 690 V at ambient temperature 60 °C rated value | 20 A |
| • at AC-2 at 400 V rated value | 16 A |
| • at AC-3 | |
| — at 400 V rated value | 16 A |
| — at 500 V rated value | 12.4 A |
| — at 690 V rated value | 8.9 A |
| • at AC-4 at 400 V rated value | 11.5 A |
| • at AC-5a up to 690 V rated value | 19.4 A |
| • at AC-5b up to 400 V rated value | 13.2 A |
| • at AC-6a | |

| | |
|--|-------------------|
| — up to 230 V for current peak value n=20 rated value | 9.6 A |
| — up to 400 V for current peak value n=20 rated value | 9.6 A |
| — up to 500 V for current peak value n=20 rated value | 9.6 A |
| — up to 690 V for current peak value n=20 rated value | 8.9 A |
| • at AC-6a | |
| — up to 230 V for current peak value n=30 rated value | 6.6 A |
| — up to 400 V for current peak value n=30 rated value | 6.4 A |
| — up to 500 V for current peak value n=30 rated value | 6.4 A |
| — up to 690 V for current peak value n=30 rated value | 6.4 A |
| Minimum cross-section in main circuit | |
| • at maximum AC-1 rated value | 4 mm ² |
| Operating current for approx. 200000 operating cycles at AC-4 | |
| • at 400 V rated value | 5.5 A |
| • at 690 V rated value | 4.4 A |
| Operating current | |
| • at 1 current path at DC-1 | |
| — at 24 V rated value | 20 A |
| — at 110 V rated value | 2.1 A |
| — at 220 V rated value | 0.8 A |
| — at 440 V rated value | 0.6 A |
| — at 600 V rated value | 0.6 A |
| • with 2 current paths in series at DC-1 | |
| — at 24 V rated value | 20 A |
| — at 110 V rated value | 12 A |
| — at 220 V rated value | 1.6 A |
| — at 440 V rated value | 0.8 A |
| — at 600 V rated value | 0.7 A |
| • with 3 current paths in series at DC-1 | |
| — at 24 V rated value | 20 A |
| — at 110 V rated value | 20 A |
| — at 220 V rated value | 20 A |
| — at 440 V rated value | 1.3 A |
| — at 600 V rated value | 1 A |
| Operating current | |

| | |
|--|---|
| <ul style="list-style-type: none"> • at 1 current path at DC-3 at DC-5 <ul style="list-style-type: none"> — at 24 V rated value — at 110 V rated value • with 2 current paths in series at DC-3 at DC-5 <ul style="list-style-type: none"> — at 24 V rated value — at 110 V rated value • with 3 current paths in series at DC-3 at DC-5 <ul style="list-style-type: none"> — at 24 V rated value — at 110 V rated value — at 220 V rated value — at 440 V rated value — at 600 V rated value | <p>20 A</p> <p>0.1 A</p> <p>20 A</p> <p>0.35 A</p> <p>20 A</p> <p>20 A</p> <p>1.5 A</p> <p>0.2 A</p> <p>0.2 A</p> |
| Operating power <ul style="list-style-type: none"> • at AC-2 at 400 V rated value • at AC-3 <ul style="list-style-type: none"> — at 230 V rated value — at 400 V rated value — at 500 V rated value — at 690 V rated value | <p>7.5 kW</p> <p>4 kW</p> <p>7.5 kW</p> <p>7.5 kW</p> <p>7.5 kW</p> |
| Operating power for approx. 200000 operating cycles at AC-4 <ul style="list-style-type: none"> • at 400 V rated value • at 690 V rated value | <p>2.5 kW</p> <p>3.5 kW</p> |
| Operating apparent output at AC-6a <ul style="list-style-type: none"> • up to 230 V for current peak value n=20 rated value • up to 400 V for current peak value n=20 rated value • up to 500 V for current peak value n=20 rated value • up to 690 V for current peak value n=20 rated value | <p>3 800 V·A</p> <p>6 600 V·A</p> <p>8 300 V·A</p> <p>10 600 V·A</p> |
| Operating apparent output at AC-6a <ul style="list-style-type: none"> • up to 230 V for current peak value n=30 rated value • up to 400 V for current peak value n=30 rated value • up to 500 V for current peak value n=30 rated value • up to 690 V for current peak value n=30 rated value | <p>2 500 V·A</p> <p>4 400 V·A</p> <p>5 500 V·A</p> <p>7 600 V·A</p> |
| Short-time withstand current in cold operating state up to 40 °C | |

| | |
|---|--|
| <ul style="list-style-type: none"> • limited to 1 s switching at zero current maximum • limited to 5 s switching at zero current maximum • limited to 10 s switching at zero current maximum • limited to 30 s switching at zero current maximum • limited to 60 s switching at zero current maximum | <p>300 A; Use minimum cross-section acc. to AC-1 rated value</p> <p>169 A; Use minimum cross-section acc. to AC-1 rated value</p> <p>128 A; Use minimum cross-section acc. to AC-1 rated value</p> <p>92 A; Use minimum cross-section acc. to AC-1 rated value</p> <p>74 A; Use minimum cross-section acc. to AC-1 rated value</p> |
| No-load switching frequency | |
| <ul style="list-style-type: none"> • at DC | 10 000 1/h |
| Operating frequency | |
| <ul style="list-style-type: none"> • at AC-1 maximum • at AC-2 maximum • at AC-3 maximum • at AC-4 maximum | <p>1 000 1/h</p> <p>750 1/h</p> <p>750 1/h</p> <p>250 1/h</p> |

| Control circuit/ Control | |
|---|-----------------------|
| Type of voltage of the control supply voltage | DC |
| Control supply voltage at DC | |
| <ul style="list-style-type: none"> • rated value | 24 V |
| Operating range factor control supply voltage rated value of magnet coil at DC | |
| <ul style="list-style-type: none"> • initial value • Full-scale value | <p>0.8</p> <p>1.1</p> |
| Closing power of magnet coil at DC | 4 W |
| Holding power of magnet coil at DC | 4 W |
| Closing delay | |
| <ul style="list-style-type: none"> • at DC | 30 ... 100 ms |
| Opening delay | |
| <ul style="list-style-type: none"> • at DC | 7 ... 13 ms |
| Arcing time | 10 ... 15 ms |
| Control version of the switch operating mechanism | Standard A1 - A2 |

| Auxiliary circuit | |
|--|-----------------------|
| Number of NC contacts for auxiliary contacts | |
| <ul style="list-style-type: none"> • instantaneous contact | 2 |
| Number of NO contacts for auxiliary contacts | |
| <ul style="list-style-type: none"> • instantaneous contact | 2 |
| Operating current at AC-12 maximum | 10 A |
| Operating current at AC-15 | |
| <ul style="list-style-type: none"> • at 230 V rated value • at 400 V rated value | <p>6 A</p> <p>3 A</p> |

| | |
|---|--|
| <ul style="list-style-type: none"> • at 500 V rated value • at 690 V rated value | <p>2 A</p> <p>1 A</p> |
| Operating current at DC-12 | |
| <ul style="list-style-type: none"> • at 24 V rated value • at 48 V rated value • at 60 V rated value • at 110 V rated value • at 125 V rated value • at 220 V rated value • at 600 V rated value | <p>10 A</p> <p>6 A</p> <p>6 A</p> <p>3 A</p> <p>2 A</p> <p>1 A</p> <p>0.15 A</p> |
| Operating current at DC-13 | |
| <ul style="list-style-type: none"> • at 24 V rated value • at 48 V rated value • at 60 V rated value • at 110 V rated value • at 125 V rated value • at 220 V rated value • at 600 V rated value | <p>6 A</p> <p>2 A</p> <p>2 A</p> <p>1 A</p> <p>0.9 A</p> <p>0.3 A</p> <p>0.1 A</p> |
| Contact reliability of auxiliary contacts | 1 faulty switching per 100 million (17 V, 1 mA) |

UL/CSA ratings

| | |
|---|---|
| Full-load current (FLA) for three-phase AC motor | |
| <ul style="list-style-type: none"> • at 480 V rated value • at 600 V rated value | <p>14 A</p> <p>11 A</p> |
| Yielded mechanical performance [hp] | |
| <ul style="list-style-type: none"> • for single-phase AC motor <ul style="list-style-type: none"> — at 110/120 V rated value — at 230 V rated value • for three-phase AC motor <ul style="list-style-type: none"> — at 200/208 V rated value — at 220/230 V rated value — at 460/480 V rated value — at 575/600 V rated value | <p>1 hp</p> <p>2 hp</p> <p>3 hp</p> <p>5 hp</p> <p>10 hp</p> <p>10 hp</p> |
| Contact rating of auxiliary contacts according to UL | A600 / Q600 |

Short-circuit protection

| | |
|--|---|
| Design of the fuse link | |
| <ul style="list-style-type: none"> • for short-circuit protection of the main circuit <ul style="list-style-type: none"> — with type of coordination 1 required — with type of assignment 2 required | <p>gG: 50A (690V,100kA), aM: 25A (690V,100kA), BS88: 50A (415V,80kA)</p> <p>gG: 25A (690V,100kA), aM: 20A (690V,100kA), BS88: 25A (415V,80kA)</p> |

- for short-circuit protection of the auxiliary switch required

gG: 10 A (500 V, 1 kA)

Installation/ mounting/ dimensions

| | |
|---|--|
| Mounting position | +/-180° rotation possible on vertical mounting surface; can be tilted forward and backward by +/- 22.5° on vertical mounting surface |
| Mounting type | screw and snap-on mounting onto 35 mm standard mounting rail according to DIN EN 60715 |
| <ul style="list-style-type: none"> • Side-by-side mounting | Yes |
| Height | 58 mm |
| Width | 45 mm |
| Depth | 117 mm |
| Required spacing | |
| <ul style="list-style-type: none"> • with side-by-side mounting <ul style="list-style-type: none"> — forwards — upwards — downwards — at the side • for grounded parts <ul style="list-style-type: none"> — forwards — upwards — at the side — downwards • for live parts <ul style="list-style-type: none"> — forwards — upwards — downwards — at the side | 10 mm 10 mm 10 mm 0 mm 10 mm 10 mm 6 mm 10 mm 10 mm 10 mm 10 mm 6 mm |

Connections/ Terminals

| | |
|---|--|
| Type of electrical connection | |
| <ul style="list-style-type: none"> • for main current circuit • for auxiliary and control current circuit • at contactor for auxiliary contacts • of magnet coil | screw-type terminals screw-type terminals Screw-type terminals Screw-type terminals |
| Type of connectable conductor cross-sections | |
| <ul style="list-style-type: none"> • for main contacts <ul style="list-style-type: none"> — solid — single or multi-stranded — finely stranded with core end processing • at AWG conductors for main contacts | 2x (0.5 ... 1.5 mm ²), 2x (0.75 ... 2.5 mm ²), 2x 4 mm ² 2x (0,5 ... 1,5 mm ²), 2x (0,75 ... 2,5 mm ²), 2x 4 mm ² 2x (0.5 ... 1.5 mm ²), 2x (0.75 ... 2.5 mm ²) 2x (20 ... 16), 2x (18 ... 14), 2x 12 |
| Connectable conductor cross-section for main contacts | |

| | |
|--|---|
| <ul style="list-style-type: none"> • solid | 0.5 ... 4 mm ² |
| <ul style="list-style-type: none"> • stranded | 0.5 ... 4 mm ² |
| <ul style="list-style-type: none"> • finely stranded with core end processing | 0.5 ... 2.5 mm ² |
| Connectable conductor cross-section for auxiliary contacts | |
| <ul style="list-style-type: none"> • single or multi-stranded | 0.5 ... 4 mm ² |
| <ul style="list-style-type: none"> • finely stranded with core end processing | 0.5 ... 2.5 mm ² |
| Type of connectable conductor cross-sections | |
| <ul style="list-style-type: none"> • for auxiliary contacts <ul style="list-style-type: none"> — single or multi-stranded | 2x (0,5 ... 1,5 mm ²), 2x (0,75 ... 2,5 mm ²), 2x 4 mm ² |
| <ul style="list-style-type: none"> — finely stranded with core end processing | 2x (0.5 ... 1.5 mm ²), 2x (0.75 ... 2.5 mm ²) |
| <ul style="list-style-type: none"> • at AWG conductors for auxiliary contacts | 2x (20 ... 16), 2x (18 ... 14), 2x 12 |
| AWG number as coded connectable conductor cross section | |
| <ul style="list-style-type: none"> • for main contacts | 20 ... 12 |
| <ul style="list-style-type: none"> • for auxiliary contacts | 20 ... 12 |

Safety related data

| | |
|---|-------------|
| B10 value | |
| <ul style="list-style-type: none"> • with high demand rate acc. to SN 31920 | 1 000 000 |
| Proportion of dangerous failures | |
| <ul style="list-style-type: none"> • with low demand rate acc. to SN 31920 | 40 % |
| <ul style="list-style-type: none"> • with high demand rate acc. to SN 31920 | 73 % |
| Failure rate [FIT] | |
| <ul style="list-style-type: none"> • with low demand rate acc. to SN 31920 | 100 FIT |
| Product function | |
| <ul style="list-style-type: none"> • Mirror contact acc. to IEC 60947-4-1 | Yes |
| <ul style="list-style-type: none"> • positively driven operation acc. to IEC 60947-5-1 | No |
| T1 value for proof test interval or service life acc. to IEC 61508 | 20 y |
| Protection against electrical shock | finger-safe |
| Suitability for use safety-related switching OFF | Yes |

Certificates/ approvals

| | |
|--------------------------|-----|
| General Product Approval | EMC |
|--------------------------|-----|



[KC](#)



| | | | |
|---------------------------------------|---------------------------|-------------------|-------------------|
| Functional Safety/Safety of Machinery | Declaration of Conformity | Test Certificates | Marine / Shipping |
|---------------------------------------|---------------------------|-------------------|-------------------|

[Type Examination Certificate](#)



[Miscellaneous](#)

[Type Test Certificates/Test Report](#)

[Special Test Certificate](#)



| |
|-------------------|
| Marine / Shipping |
|-------------------|



| |
|-------|
| other |
|-------|

[Confirmation](#)



| |
|---------------------|
| Further information |
|---------------------|

Information- and Downloadcenter (Catalogs, Brochures,...)

<https://www.siemens.com/ic10>

Industry Mall (Online ordering system)

<https://mall.industry.siemens.com/mall/en/en/Catalog/product?mlfb=3RT2018-1BB44-3MA0>

Cax online generator

<http://support.automation.siemens.com/WW/CAXorder/default.aspx?lang=en&mlfb=3RT2018-1BB44-3MA0>

Service&Support (Manuals, Certificates, Characteristics, FAQs,...)

<https://support.industry.siemens.com/cs/ww/en/ps/3RT2018-1BB44-3MA0>

Image database (product images, 2D dimension drawings, 3D models, device circuit diagrams, EPLAN macros, ...)

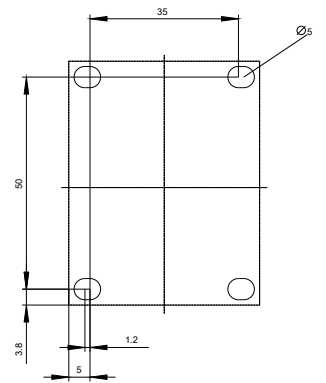
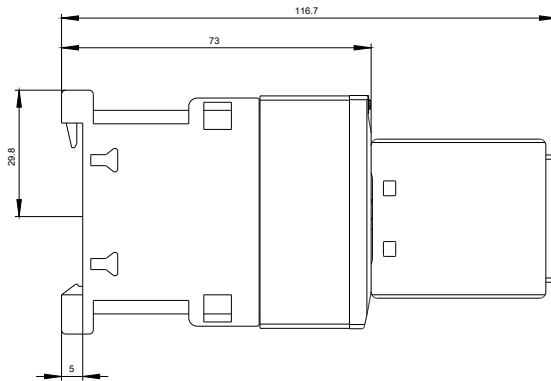
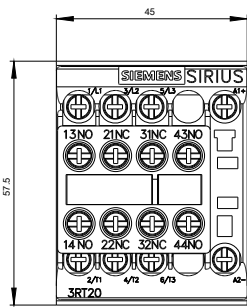
http://www.automation.siemens.com/bilddb/cax_de.aspx?mlfb=3RT2018-1BB44-3MA0&lang=en

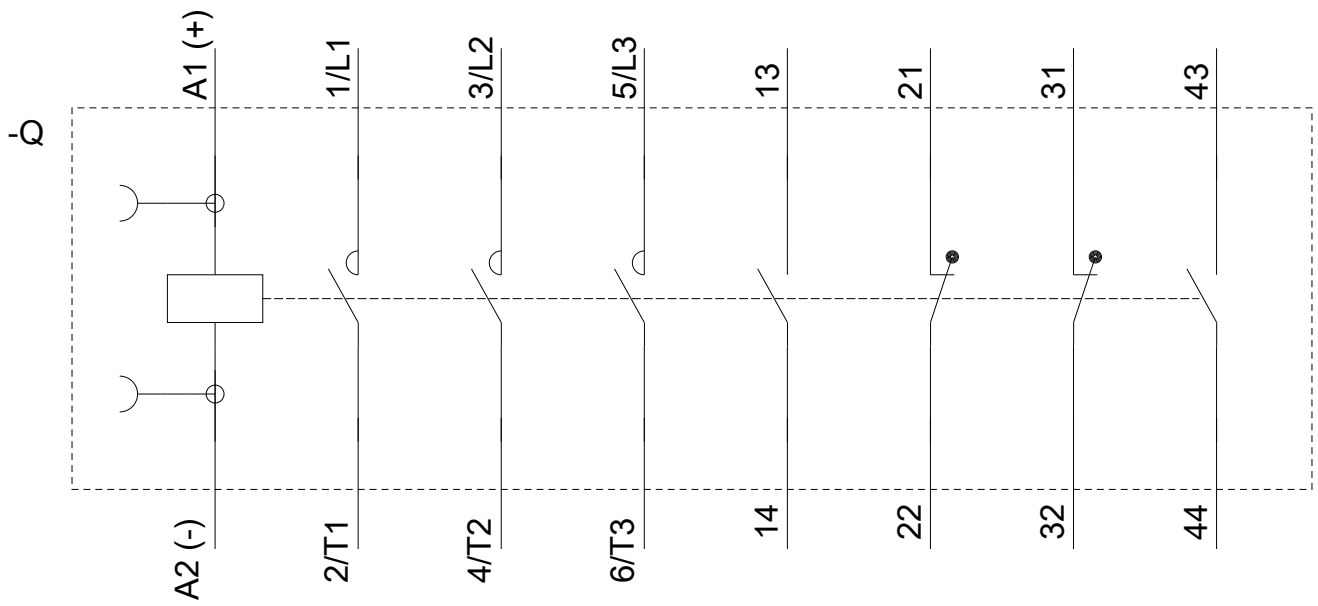
Characteristic: Tripping characteristics, I²t, Let-through current

<https://support.industry.siemens.com/cs/ww/en/ps/3RT2018-1BB44-3MA0/char>

Further characteristics (e.g. electrical endurance, switching frequency)

<http://www.automation.siemens.com/bilddb/index.aspx?view=Search&mlfb=3RT2018-1BB44-3MA0&objecttype=14&gridview=view1>





last modified:

05/09/2020