

MICRO SWITCH
a Honeywell Division

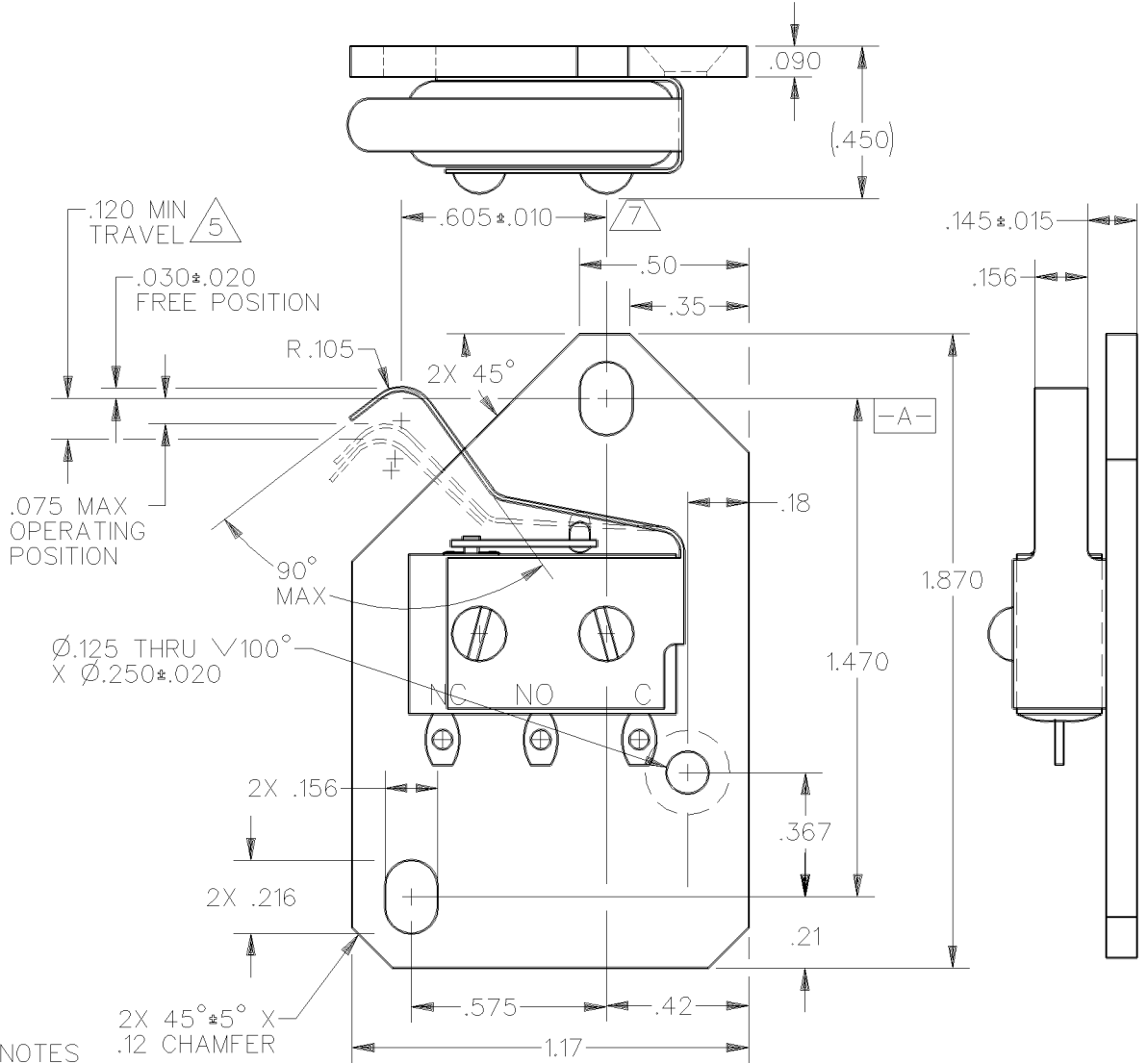
FED. MFG. CODE 91929

SWITCH-BASIC

CATALOG LISTING

39HM165

CATALOG LISTING
 39HM165
 PAGE 0F
 ISSUE 8
 REVISIONS
 A PR-21214 S M 31 AUG 94
 B CO-80587 K D R 3 APR 95
 DDM/CAD DRAWN T S M 31 AUG 94 CHECK
 RELEASE NO. PR-21214 REPLACES



NOTES

- 1 - FOR USE IN TEMPERATURE RANGE -85°F TO +257°F
- 2 - HERMETICALLY SEALED (METAL-TO-METAL, GLASS-TO-METAL)
- 3 - ALL EXPOSED PARTS ARE OF CORROSION RESISTANT MATERIALS
- 4 WEIGHT OF SWITCH ONLY IS 0.22 OZ MAX.
- 5 CAUTION: DO NOT ALLOW THE ACTUATOR LEAF TO CONTACT THE WOBBLE FRAM ALSO, EXCESS TRAVEL MAY CAUSE YEILDING IN SPRING LEAF.
- 6 THIS ASSEMBLY INCLUDES A 11HM TYPE BASIC SWITCH
- 7 MEASURED WITH LEVER RESTRAINED AT .010 ABOVE **-A-**

ANSI Y14.5M-1982 APPLIES

THIS DRAWING COVERS A PROPRIETARY ITEM AND IS THE PROPERTY OF MICRO SWITCH, A DIVISION OF HONEYWELL. THIS DRAWING IS NOT TO BE COPIED OR USED WITHOUT THE APPROVAL OF MICRO SWITCH.

THIRD ANGLE PROJECTION

CHARACTERISTICS	ELECTRICAL DATA			SCALE 2:1	DO NOT SCALE PRINT
OPERATING FORCE — — — 9 OZ MAX	CONTACT ARRANGEMENT S P D T			UNLESS OTHERWISE SPECIFIED TOLERANCES ARE ONE PLACE (.0) ±.030 TWO PLACE (.00) ±.015 THREE PLACE (.000) ±.005 ANGLES ± WEIGHT	
RELEASE FORCE — — — 2 OZ MIN	LINE VOLTAGE	INDUCTIVE LOAD	RESISTIVE LOAD		
DIFFERENTIAL TRAVEL — — .030 MAX	SEA LEVEL 70,000 FT 28 VDC	1 AMP	3 AMP		
OVERTRAVEL — — — .120 MIN	SEA LEVEL 115 VAC (400 CYCLE)	1 AMP	1 AMP		
PRETRAVEL — — — .031 MIN BELOW -A-					