

**PLEASE CHECK WWW.MOLEX.COM FOR LATEST PART INFORMATION**

**Part Number:** [39890-0604](#)  
**Status:** **Active**  
**Description:** 5.00mm Pitch Beau™ Eurostyle™ Medium Profile, Two Level Terminal Block, Modular, 4 Circuits

**Documents:**

[3D Model](#) [RoHS Certificate of Compliance \(PDF\)](#)  
[Drawing \(PDF\)](#) [Product Literature \(PDF\)](#)

**Agency Certification**

UL E48521

**General**

Product Family Terminal Blocks  
 Series [39890](#)  
 Application N/A  
 Component Type One Piece  
 Product Literature Order No USA-263  
 Product Name Eurostyle™ Multi-Level  
 Type Euro Block  
 UPC 800753317420

**Physical**

Circuits (Loaded) 4  
 Circuits (maximum) 4  
 Entry Angle Horizontal  
 Flammability 94V-0  
 Lock to Mating Part None  
 Net Weight 0.010/g  
 Number of Rows 2  
 Orientation Vertical  
 PC Tail Length 3.81mm  
 PCB Retention N/A  
 PCB Thickness - Recommended 2.60mm  
 Panel Mount No  
 Pitch - Mating Interface 5.00mm  
 Pitch - Termination Interface 5.00mm  
 Polarized to Mating Part No  
 Shrouded Fully  
 Stackable Yes  
 Surface Mount Compatible (SMC) No  
 Temperature Range - Operating 105°C  
 Wire Size AWG 12, 14, 16, 18, 20, 22, 24, 26, 28, 30  
 Wire Size mm² 0.20 - 2.50

**Electrical**

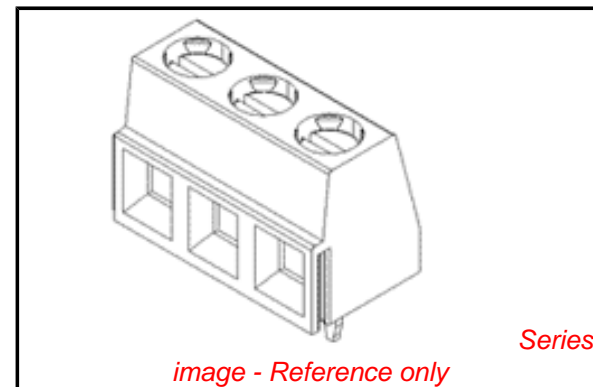
Current - Maximum per Contact 17.5A  
 Voltage - Maximum 150V

**Material Info**

Old Part Number 892204

**Reference - Drawing Numbers**

Sales Drawing SD-39890-006



**EU RoHS**

**ELV and RoHS  
Compliant**  
**REACH SVHC  
Not Reviewed**  
**Low-Halogen Status  
Not Reviewed**

**China RoHS**



**Need more information on product  
environmental compliance?**

Email [productcompliance@molex.com](mailto:productcompliance@molex.com)  
 For a multiple part number RoHS Certificate of Compliance, [click here](#)

Please visit the [Contact Us](#) section for any non-product compliance questions.

**Search Parts in this Series**

[39890Series](#)

This document was generated on 10/17/2012

**PLEASE CHECK [WWW.MOLEX.COM](http://WWW.MOLEX.COM) FOR LATEST PART INFORMATION**