

PLEASE CHECK WWW.MOLEX.COM FOR LATEST PART INFORMATION

Part Number: [39890-0406](#)
Status: **Active**
Description: 5.00mm Pitch Beau™ Eurostyle™ Low Profile, 35° Wire Entry, Single Level Modular Terminal Block, 6 Circuits

Documents:

[3D Model](#) [RoHS Certificate of Compliance \(PDF\)](#)
[Drawing \(PDF\)](#)

Agency Certification

UL E48521

General

Product Family Terminal Blocks
 Series [39890](#)
 Application N/A
 Component Type One Piece
 Product Name Eurostyle™ Fixed Mount
 Type Euro Block
 UPC 756054903063

Physical

Circuits (Loaded) 6
 Circuits (maximum) 6
 Entry Angle 35° Angle
 Flammability 94V-0
 Lock to Mating Part None
 Number of Rows 1
 Orientation Vertical
 PC Tail Length 3.81mm
 PCB Retention None
 PCB Thickness - Recommended 2.60mm
 Panel Mount No
 Pitch - Mating Interface 5.00mm
 Pitch - Termination Interface 5.00mm
 Polarized to Mating Part No
 Shrouded Fully
 Stackable Yes
 Surface Mount Compatible (SMC) No
 Temperature Range - Operating 105°C
 Wire Size AWG 12, 14, 16, 18, 20, 22, 24, 26, 28, 30
 Wire Size mm² 0.05 - 2.50

Electrical

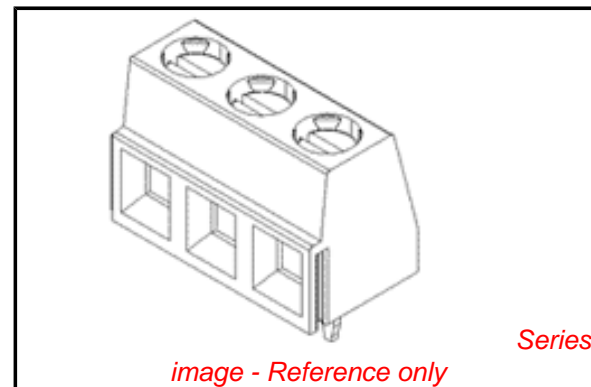
Current - Maximum per Contact 17.5A
 Voltage - Maximum 300V

Material Info

Old Part Number 890206

Reference - Drawing Numbers

Sales Drawing SD-39890-001



EU RoHS

**ELV and RoHS
 Compliant**
REACH SVHC
 Not Reviewed
Low-Halogen Status
 Not Reviewed

China RoHS



**Need more information on product
 environmental compliance?**

Email productcompliance@molex.com
 For a multiple part number RoHS Certificate of Compliance, [click here](#)

Please visit the [Contact Us](#) section for any non-product compliance questions.

Search Parts in this Series

[39890Series](#)

Mates With

N/A