

PLEASE CHECK WWW.MOLEX.COM FOR LATEST PART INFORMATION

Part Number: [39890-0402](#)
Status: **Active**
Description: 5.00mm Pitch Beau™ Eurostyle™ Low Profile, 35° Wire Entry, Single Level Modular Terminal Block, 2 Circuits

Documents:

[3D Model](#) [RoHS Certificate of Compliance \(PDF\)](#)
[Drawing \(PDF\)](#)

Agency Certification

UL E48521

General

Product Family	Terminal Blocks
Series	39890
Application	N/A
Component Type	One Piece
Product Name	Eurostyle™ Fixed Mount
Type	Euro Block
UPC	756054902813

Physical

Circuits (Loaded)	2
Circuits (maximum)	2
Entry Angle	35° Angle
Flammability	94V-0
Lock to Mating Part	None
Net Weight	2.920/g
Number of Rows	1
Orientation	Vertical
PC Tail Length	3.81mm
PCB Retention	None
PCB Thickness - Recommended	2.60mm
Panel Mount	No
Pitch - Mating Interface	5.00mm
Pitch - Termination Interface	5.00mm
Polarized to Mating Part	No
Shrouded	Fully
Stackable	Yes
Surface Mount Compatible (SMC)	No
Temperature Range - Operating	105°C
Wire Size AWG	12, 14, 16, 18, 20, 22, 24, 26, 28, 30
Wire Size mm²	0.05 - 2.50

Electrical

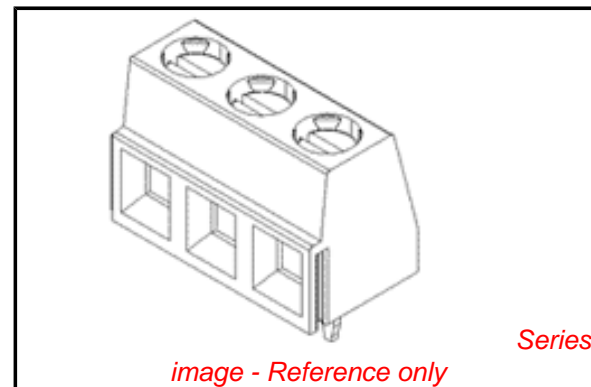
Current - Maximum per Contact	17.5A
Voltage - Maximum	300V

Material Info

Old Part Number	890202
-----------------	--------

Reference - Drawing Numbers

Sales Drawing	SD-39890-001
---------------	--------------



EU RoHS

**ELV and RoHS
Compliant**
REACH SVHC
 Not Reviewed
Low-Halogen Status
 Not Reviewed

China RoHS



Need more information on product environmental compliance?

Email productcompliance@molex.com
 For a multiple part number RoHS Certificate of Compliance, [click here](#)

Please visit the [Contact Us](#) section for any non-product compliance questions.

Search Parts in this Series

[39890Series](#)

Mates With

N/A

PLEASE CHECK WWW.MOLEX.COM FOR LATEST PART INFORMATION