

**PLEASE CHECK WWW.MOLEX.COM FOR LATEST PART INFORMATION**

**Part Number:** [39880-1205](#)  
**Status:** **Active**  
**Description:** 5.08mm Pitch Horizontal Fixed Mount PCB Terminal Block, 5 Circuits

**Documents:**

[3D Model](#) [RoHS Certificate of Compliance \(PDF\)](#)  
[Drawing \(PDF\)](#)

**Agency Certification**

CSA LR25562  
 UL E48521

**General**

Product Family Terminal Blocks  
 Series [39880](#)  
 Application N/A  
 Component Type One Piece  
 Product Name Eurostyle™ Fixed Mount  
 Type Euro Block  
 UPC 800756723808

**Physical**

Circuits (Loaded) 5  
 Circuits (maximum) 5  
 Entry Angle 90° Angle  
 Flammability 94V-0  
 Lock to Mating Part None  
 Number of Rows 1  
 Orientation Horizontal  
 PC Tail Length 3.60mm  
 PCB Retention None  
 PCB Thickness - Recommended 1.57mm  
 Panel Mount No  
 Pitch - Mating Interface 5.08mm  
 Pitch - Termination Interface 5.08mm  
 Polarized to Mating Part Yes  
 Shrouded Fully  
 Stackable No  
 Surface Mount Compatible (SMC) No  
 Temperature Range - Operating -40°C to +105°C  
 Wire Size AWG 12, 14, 16, 18, 20, 22, 24, 26, 28, 30

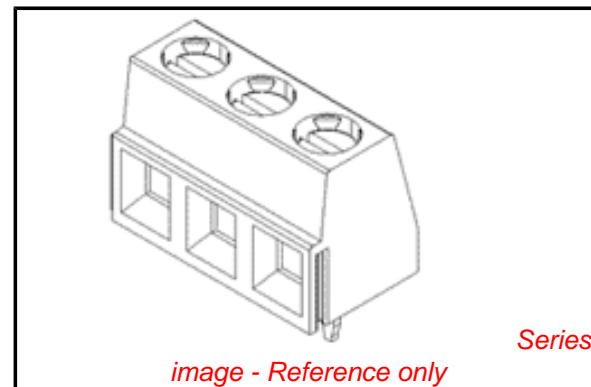
**Electrical**

Current - Maximum per Contact 17.5A  
 Voltage - Maximum 300V

**Material Info**

**Reference - Drawing Numbers**

Sales Drawing SD-39880-011



*image - Reference only*

**EU RoHS**

**ELV and RoHS  
 Compliant**  
**REACH SVHC  
 Not Reviewed**  
**Low-Halogen Status  
 Not Reviewed**

**China RoHS**



**Need more information on product  
 environmental compliance?**

Email [productcompliance@molex.com](mailto:productcompliance@molex.com)  
 For a multiple part number RoHS Certificate of  
 Compliance, [click here](#)

Please visit the [Contact Us](#) section for any  
 non-product compliance questions.

**Search Parts in this Series**

[39880Series](#)