

PLEASE CHECK WWW.MOLEX.COM FOR LATEST PART INFORMATION

Part Number: [39880-0604](#)
Status: **Active**
Description: 5.08mm Pitch Beau™ Eurostyle™ Medium Profile, Two Level Terminal Block, Modular, 4 Circuits

Documents:

[3D Model](#) [RoHS Certificate of Compliance \(PDF\)](#)
[Drawing \(PDF\)](#) [Product Literature \(PDF\)](#)

Agency Certification

UL E48521

General

Product Family Terminal Blocks
 Series [39880](#)
 Application N/A
 Component Type One Piece
 Product Literature Order No USA-263
 Product Name Eurostyle™ Multi-Level
 Type Euro Block
 UPC 800753316706

Physical

Circuits (Loaded) 4
 Entry Angle Horizontal
 Flammability 94V-0
 Lock to Mating Part None
 Number of Rows 2
 Orientation Vertical
 PC Tail Length 3.80mm
 PCB Retention None
 PCB Thickness - Recommended 2.60mm
 Panel Mount No
 Pitch - Mating Interface 5.08mm
 Pitch - Termination Interface 5.08mm
 Polarized to Mating Part N/A
 Shrouded Fully
 Stackable Yes
 Temperature Range - Operating 110°C
 Wire Size AWG 12, 14, 16, 18, 20, 22, 24, 26, 28, 30
 Wire Size mm² 0.20 - 2.50

Electrical

Current - Maximum per Contact 17.5A
 Voltage - Maximum 300V

Solder Process Data

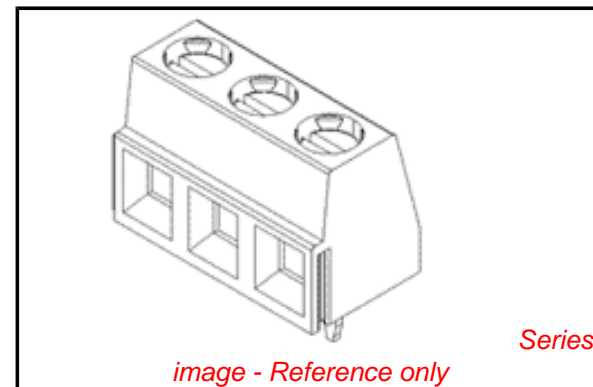
Lead-free Process Capability Wave Capable (TH only)

Material Info

Old Part Number 882204

Reference - Drawing Numbers

Sales Drawing SD-39880-008



EU RoHS

**ELV and RoHS
Compliant**
REACH SVHC
 Not Reviewed
Low-Halogen Status
 Not Reviewed

China RoHS



**Need more information on product
environmental compliance?**

Email productcompliance@molex.com
 For a multiple part number RoHS Certificate of Compliance, [click here](#)

Please visit the [Contact Us](#) section for any non-product compliance questions.

Search Parts in this Series

[39880Series](#)

This document was generated on 10/17/2012

PLEASE CHECK WWW.MOLEX.COM FOR LATEST PART INFORMATION