

**PLEASE CHECK WWW.MOLEX.COM FOR LATEST PART INFORMATION**

**Part Number:** [0397730012](#)  
**Status:** **Active**  
**Overview:** Eurostyle Terminal Blocks  
**Description:** 2.54mm Pitch Beau Eurostyle Fixed Mount PCB Terminal Block, Green, 12 Circuits

**Documents:**

<a href="#">3D Model</a>	<a href="#">Drawing (PDF)</a>
<a href="#">3D Model (PDF)</a>	<a href="#">RoHS Certificate of Compliance (PDF)</a>

**General**

Product Family	Terminal Blocks
Series	<a href="#">39773</a>
Application	N/A
Component Type	One Piece
Overview	<a href="#">Eurostyle Terminal Blocks</a>
Product Name	Eurostyle Fixed Mount
Type	Euro Block
UPC	78172560853

**Physical**

Circuits (Loaded)	12
Circuits (maximum)	12
Color - Resin	Green
Entry Angle	Horizontal
Lock to Mating Part	None
Material - Metal	Copper Alloy
Material - Plating Mating	Tin
Material - Resin	Nylon
Number of Rows	1
Orientation	Vertical
PC Tail Length	3.40mm
PCB Retention	None
PCB Thickness - Recommended	2.40mm
Panel Mount	No
Pitch - Mating Interface	2.54mm
Pitch - Termination Interface	2.54mm
Polarized to Mating Part	N/A
Shrouded	Fully
Stackable	Yes
Surface Mount Compatible (SMC)	No
Temperature Range - Operating	-40° to +110°C
Wire Size AWG	16, 18, 20, 22, 24, 26, 28, 30
Wire Size mm <sup>2</sup>	0.05-1.31

**Electrical**

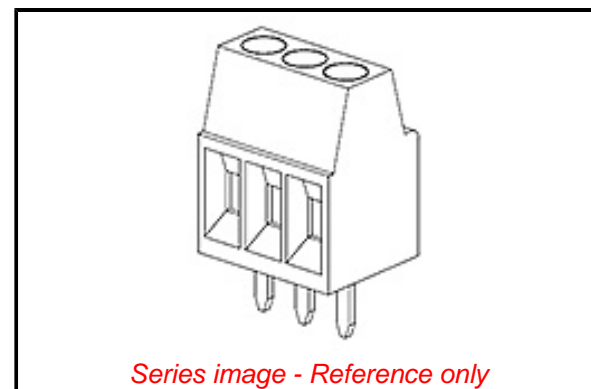
Current - Maximum per Contact	10.0A
Voltage - Maximum	150V

**Material Info**

Engineering Number	MX-MSD12004
--------------------	-------------

**Reference - Drawing Numbers**

Sales Drawing	SD-39773-001
---------------	--------------



*Series image - Reference only*

**EU ELV**

**Not Relevant**

**EU RoHS**

**Compliant with Exemption 6(c)**

**REACH SVHC**

Contained Per -  
D(2020)4578-DC (25  
June 2020)

Lead

**Halogen-Free**

**Status**

**Low-Halogen**

For more information, please visit [Contact US](#)

China ROHS

ELV

RoHS Phthalates

**China RoHS**

50 Image

Not Relevant

Not Contained

**Search Parts in this Series**

[39773 Series](#)