

PLEASE CHECK WWW.MOLEX.COM FOR LATEST PART INFORMATION

Part Number: [0397730009](#)
Status: **Active**
Overview: [Eurostyle Terminal Blocks](#)
Description: 2.54mm Pitch Beau Eurostyle Fixed Mount PCB Terminal Block, Green, 9 Circuits

Documents:

3D Model	Drawing (PDF)
3D Model (PDF)	RoHS Certificate of Compliance (PDF)

General

Product Family	Terminal Blocks
Series	39773
Application	N/A
Component Type	One Piece
Overview	Eurostyle Terminal Blocks
Product Name	Eurostyle Fixed Mount
Type	Euro Block
UPC	78172560840

Physical

Circuits (Loaded)	9
Circuits (maximum)	9
Color - Resin	Green
Entry Angle	Horizontal
Lock to Mating Part	None
Material - Metal	Copper Alloy
Material - Plating Mating	Tin
Material - Resin	Nylon
Number of Rows	1
Orientation	Vertical
PC Tail Length	3.40mm
PCB Retention	None
PCB Thickness - Recommended	2.40mm
Panel Mount	No
Pitch - Mating Interface	2.54mm
Pitch - Termination Interface	2.54mm
Polarized to Mating Part	N/A
Shrouded	Fully
Stackable	Yes
Surface Mount Compatible (SMC)	No
Temperature Range - Operating	-40° to +110°C
Wire Size AWG	16, 18, 20, 22, 24, 26, 28, 30
Wire Size mm ²	0.05-1.31

Electrical

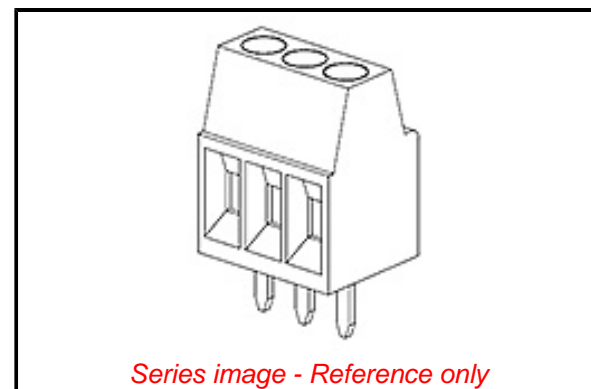
Current - Maximum per Contact	10.0A
Voltage - Maximum	150V

Material Info

Engineering Number	MX-MSD09004
--------------------	-------------

Reference - Drawing Numbers

Sales Drawing	SD-39773-001
---------------	--------------



Series image - Reference only

EU ELV

Not Relevant

EU RoHS

Compliant with Exemption 6(c)

REACH SVHC

Contained Per -
D(2020)4578-DC (25
June 2020)

Lead

Halogen-Free

Status

Low-Halogen

For more information, please visit [Contact US](#)

China ROHS

50 Image

ELV

Not Relevant

RoHS Phthalates

Not Contained

Search Parts in this Series

[39773 Series](#)