

PLEASE CHECK WWW.MOLEX.COM FOR LATEST PART INFORMATION

Part Number: [0395936317](#)
Status: **Active**
Overview: Eurostyle Terminal Blocks
Description: 5.00mm Pitch Eurostyle 45° Wire Entry Fixed Mount PCB Terminal Block, with Standard Imprinting, Green Housing, 17 Circuits

Documents:

3D Model	3D Model (PDF)
Drawing (PDF)	RoHS Certificate of Compliance (PDF)

Agency Certification

UL E48521

General

Product Family	Terminal Blocks
Series	39593
Application	N/A
Comments	with Standard Imprinting, with Standard Imprinting
Component Type	One Piece
Overview	Eurostyle Terminal Blocks
Product Name	ESE, Eurostyle Fixed Mount
Type	Euro Block
UPC	822350499316

Physical

Circuits (Loaded)	17
Entry Angle	45° Angle
Lock to Mating Part	None
Number of Rows	1
Orientation	45° Angle
PC Tail Length	4.40mm
PCB Thickness - Recommended	3.40mm
Panel Mount	No
Pitch - Mating Interface	5.00mm
Pitch - Termination Interface	5.00mm
Polarized to Mating Part	N/A
Stackable	No
Temperature Range - Operating	-40° to +105°C
Wire Size AWG	14, 16, 18, 20, 22
Wire Size mm ²	0.33-2.08

Electrical

Current - Maximum per Contact	10.0A
Voltage - Maximum	300V

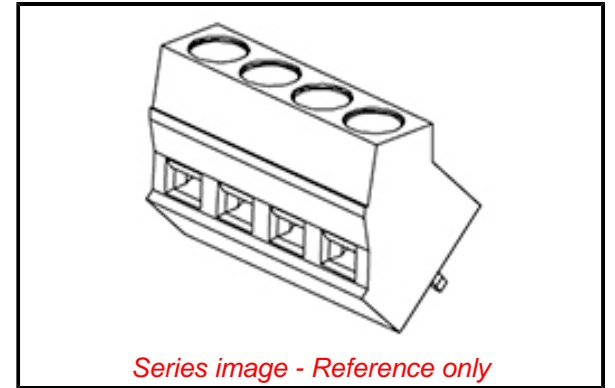
Solder Process Data

Duration at Max. Process Temperature (seconds)	005
Lead-free Process Capability	REFLOW
Max. Cycles at Max. Process Temperature	135
Process Temperature max. C	260

Material Info

Reference - Drawing Numbers

Sales Drawing SD-39543-002, SD-39543-002-001



EU ELV

Not Relevant

EU RoHS

Not Reviewed

REACH SVHC

Not Reviewed

Halogen-Free

Status

Not Reviewed

For more information, please visit [Contact US](#)

China ROHS

Not Reviewed

ELV

Not Relevant

RoHS Phthalates

Not Reviewed

Search Parts in this Series

[39593 Series](#)

PLEASE CHECK WWW.MOLEX.COM FOR LATEST PART INFORMATION