

PLEASE CHECK WWW.MOLEX.COM FOR LATEST PART INFORMATION

Part Number: **0395326503**
Status: **Active**
Overview: Eurostyle Terminal Blocks
Description: 5.08mm Pitch Eurostyle Horizontal PCB Header, Green Housing, Gold (Au) Plated, 3 Circuits

Documents:

[3D Model](#) [Product Specification PS-39500-001-001 \(PDF\)](#)
[Drawing \(PDF\)](#) [RoHS Certificate of Compliance \(PDF\)](#)
[3D Model \(PDF\)](#)

Agency Certification

UL E48521

General

Product Family Terminal Blocks
Series [39532](#)
Application N/A
Component Type PCB Header
Overview [Eurostyle Terminal Blocks](#)
Product Name ESE, Eurostyle Pluggable
Type Euro Block
UPC 822350517775

Physical

Circuits (Loaded) 3
Entry Angle N/A
Lock to Mating Part Yes
Net Weight 1.300/g
Number of Rows 1
Orientation Horizontal
PC Tail Length 5.08mm
PCB Thickness - Recommended 3.20mm
Panel Mount No
Pitch - Mating Interface 5.08mm
Pitch - Termination Interface 5.08mm
Polarized to Mating Part Yes
Shrouded Closed Ends
Stackable No
Surface Mount Compatible (SMC) N/A
Temperature Range - Operating -40° to +105°C
Wire Size AWG N/A

Electrical

Current - Maximum per Contact 15.0A
Voltage - Maximum 300V

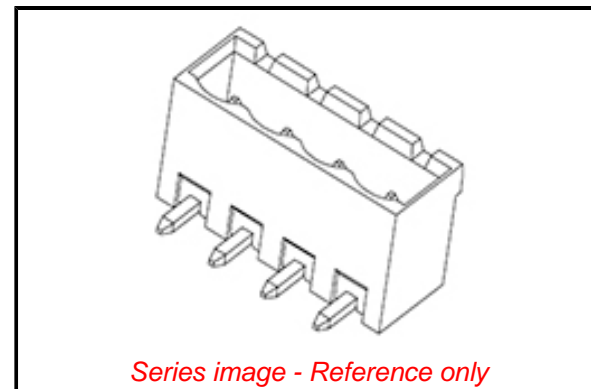
Solder Process Data

Lead-freeProcess Capability N/A

Material Info

Reference - Drawing Numbers

Product Specification PS-39500-001-001
Sales Drawing SD-39532-002-001



Series image - Reference only

EU ELV

Not Relevant

EU RoHS

Not Reviewed

REACH SVHC

Not Reviewed

Halogen-Free

Status

Not Reviewed

For more information, please visit [Contact US](#)

China ROHS

Not Reviewed

ELV

Not Relevant

RoHS Phthalates

Not Reviewed

China RoHS

Search Parts in this Series

[39532](#) Series

Mates With

[39530](#) Horizontal Plug, [39533](#) Vertical Plug,
Most 5.08mm Pitch Industry Standard Plugs

PLEASE CHECK WWW.MOLEX.COM FOR LATEST PART INFORMATION