

PLEASE CHECK WWW.MOLEX.COM FOR LATEST PART INFORMATION

Part Number: [0395326005](#)
Status: **Active**
Overview: Eurostyle Terminal Blocks
Description: 5.08mm Pitch Eurostyle Horizontal PCB Header, Green Housing, 5 Circuits

Documents:

| | |
|--------------------------------|--|
| 3D Model | Product Specification PS-39500-001-001 (PDF) |
| 3D Model (PDF) | RoHS Certificate of Compliance (PDF) |
| Drawing (PDF) | |

Agency Certification

UL E48521

General

| | |
|----------------|---|
| Product Family | Terminal Blocks |
| Series | 39532 |
| Application | N/A |
| Component Type | PCB Header |
| Overview | Eurostyle Terminal Blocks |
| Product Name | ESE, Eurostyle Pluggable |
| Type | Euro Block |
| UPC | 822350516303 |

Physical

| | |
|--------------------------------|----------------|
| Circuits (Loaded) | 5 |
| Entry Angle | N/A |
| Lock to Mating Part | Yes |
| Number of Rows | 1 |
| Orientation | Horizontal |
| PC Tail Length | 5.08mm |
| PCB Thickness - Recommended | 3.20mm |
| Panel Mount | No |
| Pitch - Mating Interface | 5.08mm |
| Pitch - Termination Interface | 5.08mm |
| Polarized to Mating Part | Yes |
| Shrouded | Closed Ends |
| Stackable | No |
| Surface Mount Compatible (SMC) | N/A |
| Temperature Range - Operating | -40° to +105°C |
| Wire Size AWG | N/A |

Electrical

| | |
|-------------------------------|-------|
| Current - Maximum per Contact | 15.0A |
| Voltage - Maximum | 300V |

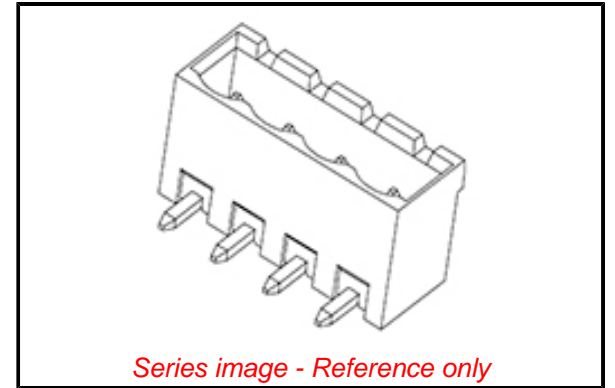
Solder Process Data

Lead-freeProcess Capability N/A

Material Info

Reference - Drawing Numbers

| | |
|-----------------------|------------------|
| Product Specification | PS-39500-001-001 |
| Sales Drawing | SD-39532-002-001 |



EU ELV

Not Relevant

EU RoHS

Not Reviewed

REACH SVHC

Not Reviewed

Halogen-Free

Status

Not Reviewed

For more information, please visit [Contact US](#)

China ROHS

Not Reviewed

ELV

Not Relevant

RoHS Phthalates

Not Reviewed

China RoHS

Search Parts in this Series

[39532](#) Series

Mates With

[39530](#) Horizontal Plug, [39533](#) Vertical Plug, Most 5.08mm Pitch Industry Standard Plugs