

10 9 8 7 6 5 4 3 2 1

F

F

E

E

D

D

C

C

B

B

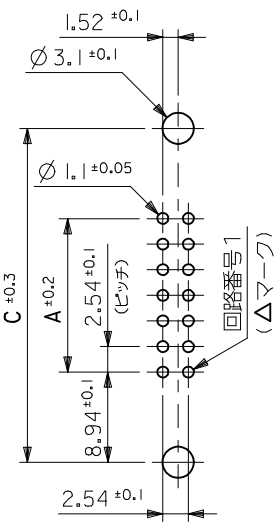
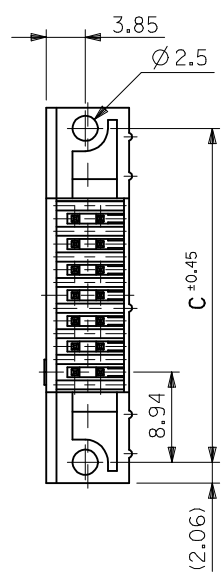
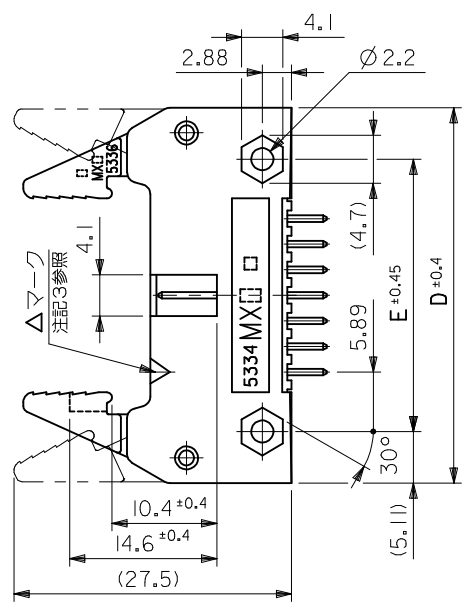
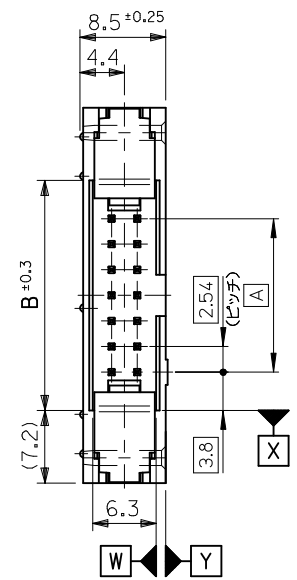
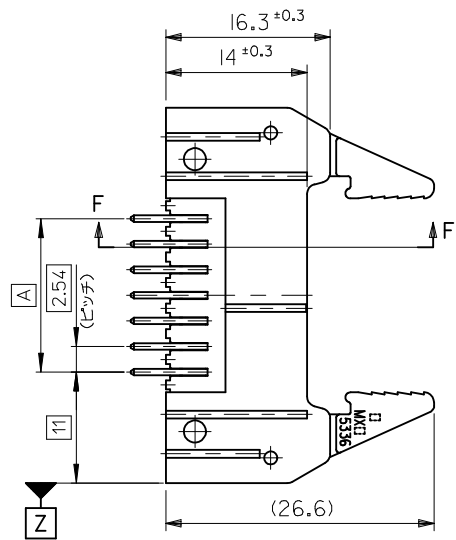
A

A

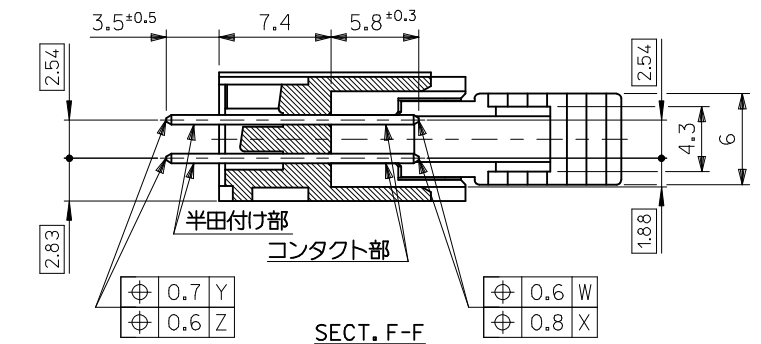
60.96 (2.400)	68.56 (2.700)	78.84 (3.104)	82.96 (3.266)	72.74 (2.864)	50
48.26 (1.900)	55.86 (2.200)	66.14 (2.604)	70.26 (2.766)	60.04 (2.364)	40
40.64 (1.600)	48.24 (1.900)	58.52 (2.304)	62.64 (2.466)	52.42 (2.064)	34
35.56 (1.400)	43.16 (1.700)	53.44 (2.104)	57.56 (2.266)	47.34 (1.864)	30
30.48 (1.200)	38.08 (1.500)	48.36 (1.904)	52.48 (2.066)	42.26 (1.664)	26
22.86 (.900)	30.46 (1.200)	40.74 (1.604)	44.86 (1.766)	34.64 (1.364)	20
17.78 (.700)	25.38 (1.000)	35.66 (1.404)	39.78 (1.566)	29.56 (1.164)	16
15.24 (.600)	22.84 (.900)	33.12 (1.304)	37.24 (1.466)	27.02 (1.064)	14
10.16 (.400)	17.76 (.700)	28.04 (1.104)	32.16 (1.266)	21.94 (.864)	10
DIM. A	DIM. B	DIM. C	DIM. D	DIM. E	NO. OF CKTS.

—#—	—#—	39-35-2506	5330-50BGS17F	50
39-53-3406	5330-40BGS37F	▲ -2406	▲ -40BGS17F	40
—#—	—#—	-2346	-34BGS17F	34
39-53-3306	5330-30BGS37F	-6306	-30BGS17F	30
—#—	—#—	-2266	-26BGS17F	26
—#—	—#—	-2206	-20BGS17F	20
39-53-3166	5330-16BGS37F	-2166	-16BGS17F	16
—#—	—#—	▼ -2146	▼ -14BGS17F	14
—#—	—#—	39-35-2106	5330-10BGS17F	10
EDP NO.	ENG. NO.	EDP NO.	ENG. NO.	NO. OF CKTS.
5330-NBGS37F-LEAD FREE-	5330-NBGS17F-LEAD FREE-			

REVISED EC NO.: J2009-2098 DRWN: MABEL 2009/03/18 CHKD: THARUYAMA 2009/03/19 APPR: NUKITA 2009/03/23	GENERAL TOLERANCES (UNLESS SPECIFIED)		DIMENSION STYLE MM ONLY		SCALE 2:1		DESIGN UNITS METRIC		THIRD ANGLE PROJECTION		
	10 UNDER ±0.2		DRAWN BY NNAGATA		DATE 2004/03/03		TITLE QIK FLECS HEADER ASSY ST WITH EJECT LEVER -LEAD FREE-				
	10 OVER 30 UNDER ±0.25		CHECKED BY KTOJO		DATE 2004/03/03						
	30 OVER ±0.3		APPROVED BY MSASAO		DATE 2004/03/03		MOLEX INCORPORATED				
ANGULAR ±3 °		MATERIAL NO.		SEE TABLE		DOCUMENT NO. SD-5330-001					
DRAFT WHERE APPLICABLE MUST REMAIN WITHIN DIMENSIONS		SIZE A3		THIS DRAWING CONTAINS INFORMATION THAT IS PROPRIETARY TO MOLEX INCORPORATED AND SHOULD NOT BE USED WITHOUT WRITTEN PERMISSION							



基板取付穴推奨寸法 (部品取付側)



SECT. F-F (SCALE 3:1)

- 注記 1. 材料
 ヘッダー&エジェクトレバー : ガラス繊維 15% 入り PBTP (UL94V-0), 黒色
 ピン : 黄銅, サイズ □0.635
 スプリングピン : 鋼製
2. 嵌合相手 : 5320 シリーズ
3. 使用符号の説明
- 5330 - N B *
- ベースナンバー _____
 極数 _____
 エジェクトレバー付 _____
 ピンのメッキコード _____

	コード:*	△マークの色	コンタクト部	半田付け部	下地メッキ
	GS1	黄	金 0.1µm MIN.	半田 3µm MIN.	ニッケル 1µm MIN.
LEAD-FREE	GS17F	黄	金 0.1µm MIN.	錫 1µm MIN.	ニッケル 1µm MIN.
LEAD-FREE	T2	黒		錫 1µm MIN.	ニッケル 0.5µm MIN.

60	73.66	81.26	91.54	95.66	85.44
50	60.96	68.56	78.84	82.96	72.74
40	48.26	55.86	66.14	70.26	60.04
34	40.64	48.24	58.52	62.64	52.42
30	35.56	43.16	53.44	57.56	47.34
26	30.48	38.08	48.36	52.48	42.26
20	22.86	30.46	40.74	44.86	34.64
16	17.78	25.38	35.66	39.78	29.56
14	15.24	22.84	33.12	37.24	27.02
10	10.16	17.76	28.04	32.16	21.94
極数	A 寸法	B 寸法	C 寸法	D 寸法	E 寸法

REVISED EC NO: J2009-2098 DRWN:MMABEI 2009/03/18 CHKD:THARUYAMA 2009/03/19 APPR:NIKI ITA 2009/03/23	DESCRIPTION	GENERAL TOLERANCES (UNLESS SPECIFIED)		DIMENSION STYLE MM ONLY	SCALE 2:1	DESIGN UNITS METRIC	THIRD ANGLE PROJECTION	
		10 UNDER ±0.2	10 OVER 30 UNDER ±0.25	DRAWN BY H. HIRAMOTO	DATE 1990/06/18	TITLE QIK FLECS HEADER ASSY ST WITH EJECT LEVER JAPANESE ONLY		
		30 OVER ±0.3	ANGULAR ±3 °	CHECKED BY M. SASAO	DATE	MOLEX INCORPORATED		
		DRAFT WHERE APPLICABLE MUST REMAIN WITHIN DIMENSIONS		APPROVED BY H. IKESUGI	DATE	DOCUMENT NO. SD-5330-002	SHEET NO. 1 OF 2	
K	REV	SIZE A3		THIS DRAWING CONTAINS INFORMATION THAT IS PROPRIETARY TO MOLEX INCORPORATED AND SHOULD NOT BE USED WITHOUT WRITTEN PERMISSION				

10 9 8 7 6 5 4 3 2 1

F

F

E

E

D

D

C

C

B

B

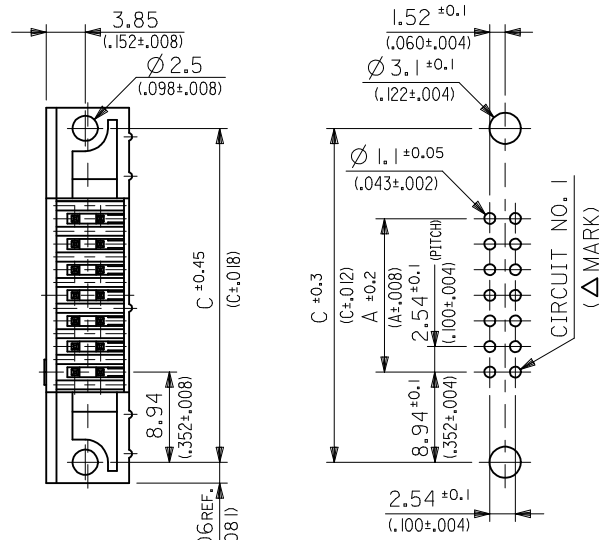
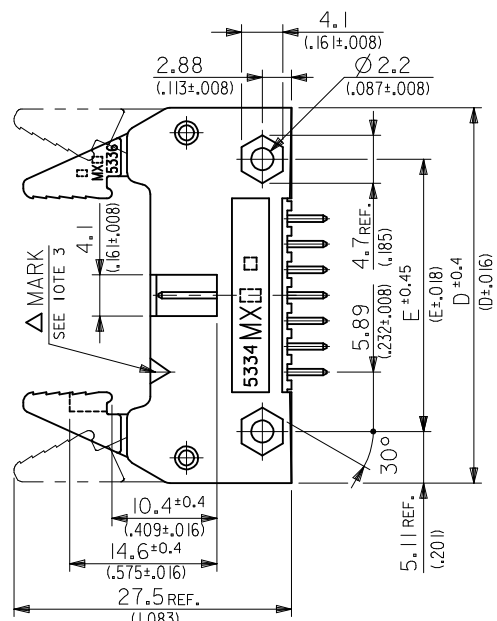
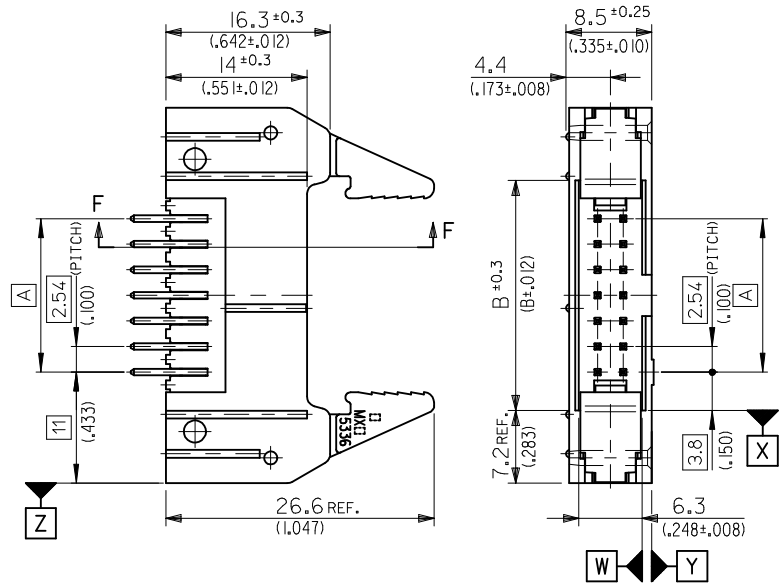
A

A

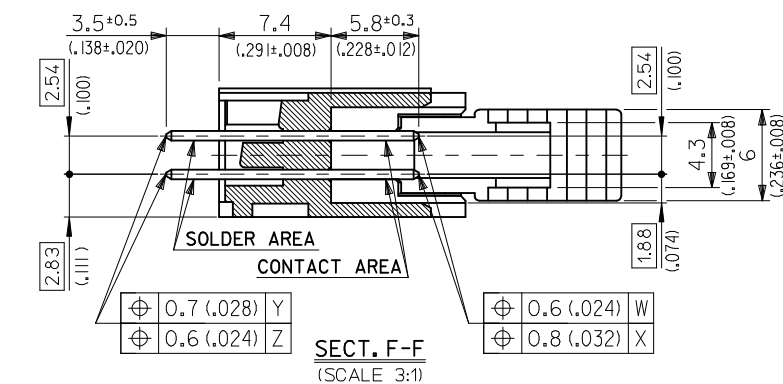
—#—	—#—	60
39-35-2506	5330-50BGS17F	50
▲ -2406	▲ -40BGS17F	40
-2346	-34BGS17F	34
-2306	-30BGS17F	30
-2266	-26BGS17F	26
-2206	-20BGS17F	20
-2166	-16BGS17F	16
▼ -2146	▼ -14BGS17F	14
39-35-2106	5330-10BGS17F	10
EDP NO.	ENG. NO.	極 数
5330-NBGS17F -LEAD FREE-		

—#—	—#—	39-26-6606	5330-60BGS I	60
39-28-5500	5330-50BT2	39-26-6506	5330-50BGS I	50
▲ -5400	▲ -40BT2	39-26-6406	5330-40BGS I	40
-5340	-34BT2	39-26-6346	5330-34BGS I	34
-5300	-30BT2	39-26-6306	5330-30BGS I	30
-5260	-26BT2	—#—	—#—	26
-5200	-20BT2	39-26-6206	5330-20BGS I	20
-5160	-16BT2	39-26-6166	5330-16BGS I	16
▼ -5140	▼ -14BT2	39-26-6146	5330-14BGS I	14
39-28-5100	5330-10BT2	—#—	—#—	10
EDP NO.	ENG. NO.	EDP NO.	ENG. NO.	極 数
5330-NBT2 -LEAD FREE-		5330-NBGS I		

REVISED EC NO.: J2009-2098 DRWN: MABEL 2009/03/18 CHKD: THARUYAMA 2009/03/19 APPR: NUKITA 2009/03/23	DESCRIPTION REV	GENERAL TOLERANCES (UNLESS SPECIFIED)		DIMENSION STYLE MM ONLY		SCALE 2:1	DESIGN UNITS METRIC		THIRD ANGLE PROJECTION		
		10 UNDER	±0.2	DRAWN BY H. HIRAMOTO	DATE 1990/06/18	TITLE QIK FLECS HEADER ASSY ST WITH EJECT LEVER JAPANESE ONLY MOLEX INCORPORATED SD-5330-002					
		10 OVER 30 UNDER	±0.25	CHECKED BY M. SASAO	DATE						
		30 OVER	±0.3	APPROVED BY H. IKESUGI	DATE	MATERIAL NO.		DOCUMENT NO.		SHEET NO.	
ANGULAR ±3 °		DRAFT WHERE APPLICABLE MUST REMAIN WITHIN DIMENSIONS		SEE TABLE		SD-5330-002		2 OF 2			



RECOMMENDED P.C. BOARD HOLE LAYOUT
(PARTS MOUNTING SIDE)



NOTES

- MATERIAL HEADER & EJECT LEVER : G.F. 15% PBTP (UL94V-0), COLOR---BLACK
PINS : BRASS, SIZE--- □0.635(.025 SQ.)
SPRING PIN : STEEL
- MATES WITH MOLEX CONNECTOR SERIES OF 5320.
- LEGEND

5330 - N B *

BASE NUMBER _____
CIRCUIT SIZE _____
WITH EJECT LEVER _____
PLATING CODE OF PIN _____

CODE*	△ MARK COLOR	CONTACT AREA	SOLDER AREA	UNDER PLATE
GS1	YELLOW	GOLD 0.1µm(.000004) MIN.	TIN-LEAD 3µm(.00012) MIN.	NICKEL 1 µm(.00004) MIN.
LEAD-FREE GS17F	YELLOW	GOLD 0.1µm(.000004) MIN.	TIN 1 µm(.00004) MIN.	NICKEL 1 µm(.00004) MIN.
LEAD-FREE T2	BLACK		TIN 1 µm(.00004) MIN.	NICKEL 0.5µm(.00002) MIN.

	DIM. A	DIM. B	DIM. C	DIM. D	DIM. E
60	73.66 (2.900)	81.26 (3.200)	91.54 (3.604)	95.66 (3.766)	85.44 (3.364)
50	60.96 (2.400)	68.56 (2.700)	78.84 (3.104)	82.96 (3.266)	72.74 (2.864)
40	48.26 (1.900)	55.86 (2.200)	66.14 (2.604)	70.26 (2.766)	60.04 (2.364)
34	40.64 (1.600)	48.24 (1.900)	58.52 (2.304)	62.64 (2.466)	52.42 (2.064)
30	35.56 (1.400)	43.16 (1.700)	53.44 (2.104)	57.56 (2.266)	47.34 (1.864)
26	30.48 (1.200)	38.08 (1.500)	48.36 (1.904)	52.48 (2.066)	42.26 (1.664)
20	22.86 (.900)	30.46 (1.200)	40.74 (1.604)	44.86 (1.766)	34.64 (1.364)
16	17.78 (.700)	25.38 (1.000)	35.66 (1.404)	39.78 (1.566)	29.56 (1.164)
14	15.24 (.600)	22.84 (.900)	33.12 (1.304)	37.24 (1.466)	27.02 (1.064)
10	10.16 (.400)	17.76 (.700)	28.04 (1.104)	32.16 (1.266)	21.94 (.864)

REVISED EC NO: J2009-2098 DRWN: MABEI 2009/03/18 CHKD: THARUYAMA 2009/03/19 APPR: NIKITA 2009/03/23	GENERAL TOLERANCES (UNLESS SPECIFIED)		DIMENSION STYLE MM/IN		SCALE 2:1	DESIGN UNITS METRIC	THIRD ANGLE PROJECTION	
	10 UNDER ±0.2 10 OVER 30 UNDER ±0.25 30 OVER ±0.3	ANGULAR ±3 ° DRAFT WHERE APPLICABLE MUST REMAIN WITHIN DIMENSIONS		DRAWN BY H. HIRAMOTO	DATE 1989/11/10	TITLE QIK FLECS HEADER ASSY ST WITH EJECT LEVER ENGLISH ONLY		
	APPROVED BY M. YOMITA		DATE 2003/06/13		MOLEX INCORPORATED			
	MATERIAL NO. SEE SHEET 2		DOCUMENT NO. SD-5330-003		SHEET NO. 1 OF 2			

10 9 8 7 6 5 4 3 2 1

F

F

E

E

D

D

C

C

B

B

A

A

—#—	—#—	60
39-35-2506	5330-50BGS17F	50
▲ -2406	▲ -40BGS17F	40
-2346	-34BGS17F	34
-2306	-30BGS17F	30
-2266	-26BGS17F	26
-2206	-20BGS17F	20
-2166	-16BGS17F	16
▼ -2146	▼ -14BGS17F	14
39-35-2106	5330-10BGS17F	10
EDP NO.	ENG. NO.	NO. OF
5330-NBGS17F	-LEAD FREE-	CKTS.

—#—	—#—	39-26-6606	5330-60BGS I	60
39-28-5500	5330-50BT2	39-26-6506	5330-50BGS I	50
▲ -5400	▲ -40BT2	39-26-6406	5330-40BGS I	40
-5340	-34BT2	39-26-6346	5330-34BGS I	34
-5300	-30BT2	39-26-6306	5330-30BGS I	30
-5260	-26BT2	—#—	—#—	26
-5200	-20BT2	39-26-6206	5330-20BGS I	20
-5160	-16BT2	39-26-6166	5330-16BGS I	16
▼ -5140	▼ -14BT2	39-26-6146	5330-14BGS I	14
39-28-5100	5330-10BT2	—#—	—#—	10
EDP NO.	ENG. NO.	EDP NO.	ENG. NO.	NO. OF
5330-NBT2	-LEAD FREE-	5330-NBGS I		CKTS.

REVISED EC NO.: J2009-2098 DRWN: MABEL 2009/03/18 CHKD: THARUYAMA 2009/03/19 APPR: NUKITA 2009/03/23	GENERAL TOLERANCES (UNLESS SPECIFIED)		DIMENSION STYLE MM/IN		SCALE 2:1	DESIGN UNITS METRIC	THIRD ANGLE PROJECTION	
	10 UNDER	±0.2	DRAWN BY H. HIRAMOTO	DATE 1989/11/10	TITLE QIK FLECS HEADER ASSY ST WITH EJECT LEVER ENGLISH ONLY			
	10 OVER 30 UNDER	±0.25	CHECKED BY M. TOMITA	DATE 2003/06/13				
	30 OVER	±0.3	APPROVED BY M. YOMITA	DATE 2003/06/13	MOLEX INCORPORATED DOCUMENT NO. SD-5330-003 SHEET NO. 2 OF 2			
ANGULAR ±3 °		MATERIAL NO.						
DRAFT WHERE APPLICABLE MUST REMAIN WITHIN DIMENSIONS		SEE TABLE		THIS DRAWING CONTAINS INFORMATION THAT IS PROPRIETARY TO MOLEX INCORPORATED AND SHOULD NOT BE USED WITHOUT WRITTEN PERMISSION				