

PLEASE CHECK WWW.MOLEX.COM FOR LATEST PART INFORMATION

Part Number: [0039014066](#)
Status: **Active**
Overview: Mini-Fit Family Power Connectors
Description: Mini-Fit Jr. Plug Housing, Single Row, 6 Circuits, UL 94V-2, without Panel Mounting Ears, Natural

Documents:

3D Model	Application Specification AS-5557-001-001 (PDF)
3D Model (PDF)	Packaging Specification PK-5559-003-001 (PDF)
Drawing (PDF)	Test Summary 55560010-TS-000 (PDF)
Product Specification PS-45750-001-001 (PDF)	Test Summary TS-5556-002-001 (PDF)
Product Specification PS-5556-001-001 (PDF)	RoHS Certificate of Compliance (PDF)
Application Specification 55560001-AS-000 (PDF)	

Agency Certification

CSA	LR19980
UL	E29179

General

Product Family	Crimp Housings
Series	5559
Application	Power, Wire-to-Board, Wire-to-Wire
Comments	Current = 13A max. per circuit when header is mated to a receptacle loaded with 45750 series terminals crimped to 16 AWG wire. . See Molex product specification PS-45750-001 for additional current derating information.
Overview	Mini-Fit Family Power Connectors
Product Name	Mini-Fit Jr.
UPC	889056555920

Physical

Circuits (maximum)	6
Color - Resin	Natural
Flammability	94V-2
Gender	Plug
Glow-Wire Capable	No
Keying to Mating Part	None
Lock to Mating Part	Yes
Material - Resin	Nylon
Net Weight	2.174/g
Number of Rows	1
Packaging Type	Bag
Panel Mount	No
Pitch - Mating Interface	4.20mm
Pitch - Termination Interface	4.20mm
Polarized to Mating Part	Yes
Stackable	No
Temperature Range - Operating	-40° to +105°C

Electrical

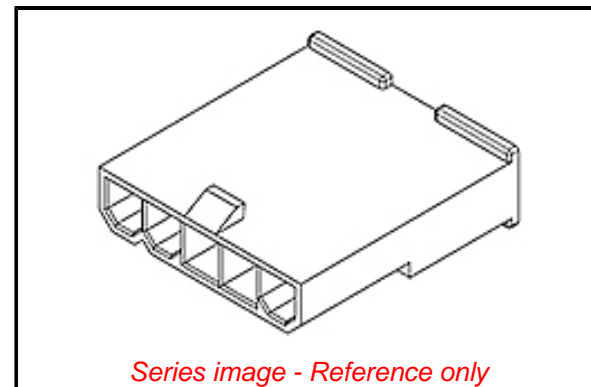
Current - Maximum per Contact	13.0A
-------------------------------	-------

Solder Process Data

Lead-free Process Capability	N/A
------------------------------	-----

Material Info

Engineering Number	5559-06P3
--------------------	-----------



EU ELV

Not Relevant

EU RoHS

Compliant

REACH SVHC

Not Contained Per -
D(2020)4578-DC (25
June 2020)

Halogen-Free

Status

Low-Halogen

For more information, please visit [Contact US](#)

China ROHS

ELV

RoHS Phthalates

China RoHS

Green Image

Not Relevant

Not Contained

Search Parts in this Series

[5559](#) Series

Mates With

Mini-Fit Jr. Receptacle Housing [5557](#)

Mini-Fit TPA2 Cable Assembly [145135](#)

Use With

Mini-Fit Male Crimp Terminals [5558](#)

Mini-Fit Plus HCS Crimp Terminals
[46012](#)
Mini-Fit Jr. Grounding Pin [30490](#)

Mini-Fit Pre-Crimped Leads [797580005](#)
, [797580013](#)
Mini-Fit Jr. Backshell
[204723](#)

Reference - Drawing Numbers

Application Specification	55560001-AS-000, AS-5557-001-001
Packaging Specification	PK-5559-003-001
Product Specification	PS-45750-001-001, PS-5556-001-001
Sales Drawing	55590002-SD-000
Test Summary	55560010-TS-000, TS-5556-002-001

This document was generated on 10/21/2020

PLEASE CHECK WWW.MOLEX.COM FOR LATEST PART INFORMATION