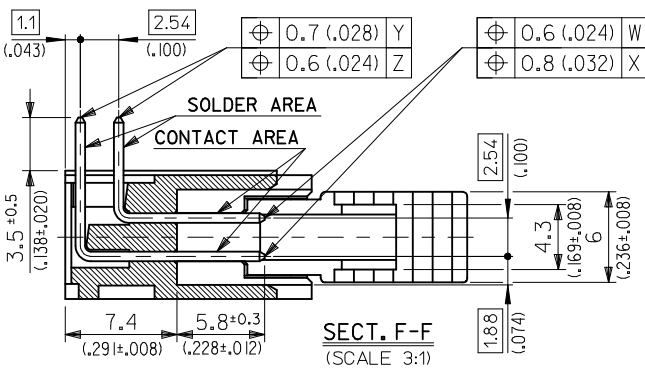
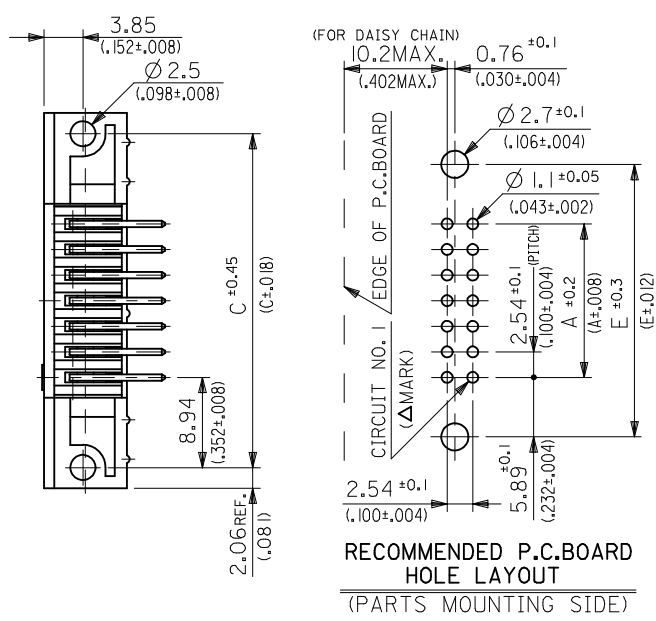
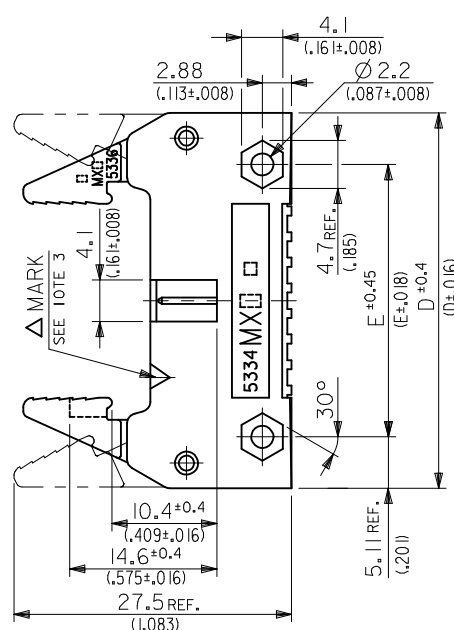
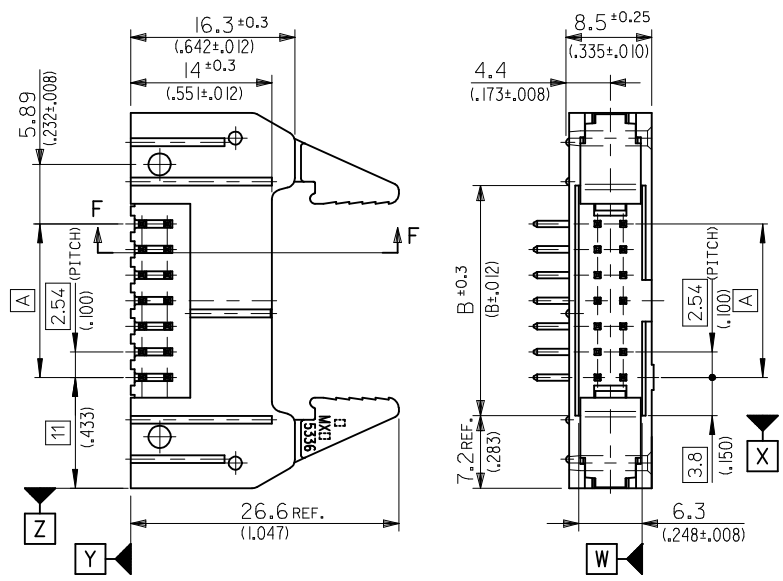


39-53-7608	5340-60BGS27F	39-53-3607	5340-60BGS17F	60
▲ -7508	▲ -50BGS27F	▲ -3507	▲ -50BGS17F	50
-7408	-40BGS27F	-3407	-40BGS17F	40
-7348	-34BGS27F	-3347	-34BGS17F	34
-7308	-30BGS27F	-3307	-30BGS17F	30
-7268	-26BGS27F	-3267	-26BGS17F	26
-7208	-20BGS27F	-3207	-20BGS17F	20
-7168	-16BGS27F	-3167	-16BGS17F	16
▼ -7148	▼ -14BGS27F	▼ -3147	▼ -14BGS17F	14
39-53-7108	5340-10BGS27F	39-53-3107	5340-10BGS17F	10
EDP NO.	ENG. NO.	EDP NO.	ENG. NO.	NO. OF
5340-NBGS27F-LEAD FREE-		5340-NBGS17F-LEAD FREE-		CKTS.

—	—	39-26-7603	5340-60BGS2	—	—	60
39-28-5503	5340-50BT2	▲ -7503	▲ -50BGS2	39-26-7502	5340-50BGS1	50
▲ -5403	▲ -40BT2	-7403	-40BGS2	—	—	40
-5343	-34BT2	-7343	-34BGS2	—	—	34
-5303	-30BT2	-7303	-30BGS2	—	—	30
-5263	-26BT2	-7263	-26BGS2	—	—	26
-5203	-20BT2	-7203	-20BGS2	—	—	20
-5163	-16BT2	-7163	-16BGS2	—	—	16
▼ -5143	▼ -14BT2	▼ -7143	▼ -14BGS2	—	—	14
39-28-5103	5340-10BT2	39-26-7103	5340-10BGS2	—	—	10
EDP NO.	ENG. NO.	EDP NO.	ENG. NO.	EDP NO.	ENG. NO.	NO. OF
5340-NBT2 -LEAD FREE-		5340-NBGS2		5340-NBGS1		CKTS.

REVISED EC NO: J2009-2013 DRWN:MMABEI 2009/03/12 CHKD:THARUYAMA 2009/03/13 APPR:NUKITA 2009/03/16 M	DESCRIPTION GENERAL TOLERANCES (UNLESS SPECIFIED)	DIMENSION STYLE MM ONLY		SCALE 2:1	DESIGN UNITS METRIC		THIRD ANGLE PROJECTION	
		10 UNDER ±0.2	DRAWN BY HHIRAMOTO	DATE 1990/06/19	TITLE QIK FLECS HEADER ASSY R/A WITH EJECT LEVER (JAPANESE ONLY)			
		10 OVER 30 UNDER ±0.25	CHECKED BY MSASAO	DATE	MOLEX INCORPORATED			
		30 OVER ±0.3	APPROVED BY HIKESUGI	DATE	DOCUMENT NO. SD-5340-001			
		ANGULAR ±3 ° DRAFT WHERE APPLICABLE MUST REMAIN WITHIN DIMENSIONS	MATERIAL NO. SEE TABLE	SHEET NO. 2 OF 2	THIS DRAWING CONTAINS INFORMATION THAT IS PROPRIETARY TO MOLEX INCORPORATED AND SHOULD NOT BE USED WITHOUT WRITTEN PERMISSION			

10 9 8 7 6 5 4 3 2 1



NOTES 1. MATERIAL HEADER & EJECT LEVER : G.F. 15% PBTP (UL94V-0), COLOR---BLACK
 PINS : BRASS, SIZE--- □0.635(0.25 SQ.)
 SPRING PIN : STEEL
 2. MATES WITH MOLEX CONNECTOR SERIES OF 5320.
 3. LEGEND

BASE NUMBER 5340 - N B *
 CIRCUIT SIZE WITH EJECT LEVER
 PLATING CODE OF PIN

CODE:*	Δ MARK COLOR	CONTACT AREA	SOLDER AREA	UNDER PLATE
GS1	YELLOW	GOLD 0.1μm(0.00004) MIN.	TIN-LEAD 3μm(0.00012) MIN.	NICKEL 1μm(0.00004) MIN.
GS2	BROWN	GOLD 0.76μm(0.0003) MIN.	TIN 1μm(0.00004) MIN.	
LEAD FREE GS17F	YELLOW	GOLD 0.1 μm(0.00004) MIN.	TIN 1μm(0.00004) MIN.	NICKEL 0.5μm(0.00002) MIN.
LEAD FREE GS27F	BROWN	GOLD 0.76μm(0.0003) MIN.	TIN 1μm(0.00004) MIN.	NICKEL 0.5μm(0.00002) MIN.
LEAD FREE I2	BLACK	TIN 1 μm(0.00004) MIN.		NICKEL 0.5μm(0.00002) MIN.

60	73.66 (2.900)	81.26 (3.200)	91.54 (3.604)	95.66 (3.766)	85.44 (3.364)
50	60.96 (2.400)	68.56 (2.700)	78.84 (3.104)	82.96 (3.266)	72.74 (2.864)
40	48.26 (1.900)	55.86 (2.200)	66.14 (2.604)	70.26 (2.766)	60.04 (2.364)
34	40.64 (1.600)	48.24 (1.900)	58.52 (2.304)	62.64 (2.466)	52.42 (2.064)
30	35.56 (1.400)	43.16 (1.700)	53.44 (2.104)	57.56 (2.266)	47.34 (1.864)
26	30.48 (1.200)	38.08 (1.500)	48.36 (1.904)	52.48 (2.066)	42.26 (1.664)
20	22.86 (0.900)	30.46 (1.200)	40.74 (1.604)	44.86 (1.766)	34.64 (1.364)
16	17.78 (0.700)	25.38 (1.000)	35.66 (1.404)	39.78 (1.566)	29.56 (1.164)
14	15.24 (0.600)	22.84 (0.900)	33.12 (1.304)	37.24 (1.466)	27.02 (1.064)
10	10.16 (0.400)	17.76 (0.700)	28.04 (1.104)	32.16 (1.266)	21.94 (0.864)

NO. OF CKTS. DIM. A DIM. B DIM. C DIM. D DIM. E

9 8 7 6 5 4 3 2 1 EN-02JA(021)

REVISED EC NO: J2009-2013 DRWN:MMABEI 2009/03/12 CHKD:THARUYAMA 2009/03/13 APPR:NIUK ITA 2009/03/16	GENERAL TOLERANCES (UNLESS SPECIFIED)		DIMENSION STYLE MM/IN	SCALE 2:1	DESIGN UNITS METRIC	THIRD ANGLE PROJECTION
	10 UNDER	±0.2	DRAWN BY HIRAMOTO	DATE 1989/11/13	TITLE QIK FLECS HEADER ASSY R/A WITH EJECT LEVER (ENGLISH ONLY)	
	10 OVER 30 UNDER	±0.25	CHECKED BY MSASAO	DATE	MOLEX INCORPORATED	
	30 OVER	±0.3	APPROVED BY HIKESUGI	DATE	DOCUMENT NO. SD-5340-002	
M	DESCRIPTION	ANGULAR ±3 ° DRAFT WHERE APPLICABLE MUST REMAIN WITHIN DIMENSIONS	MATERIAL NO. SEE SHEET 2	SIZE A3	SHEET NO. 1 OF 2	
THIS DRAWING CONTAINS INFORMATION THAT IS PROPRIETARY TO MOLEX INCORPORATED AND SHOULD NOT BE USED WITHOUT WRITTEN PERMISSION						

F

F

E

E

D

D

C

C

B

B

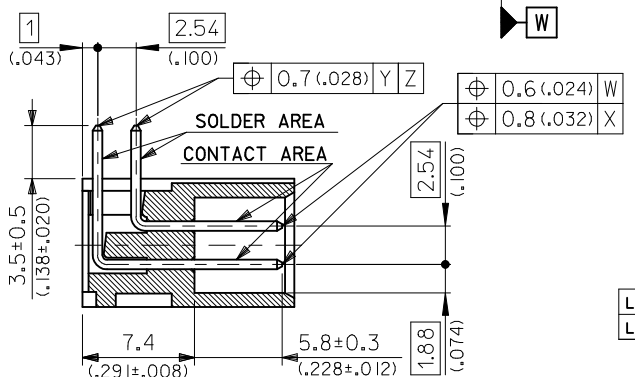
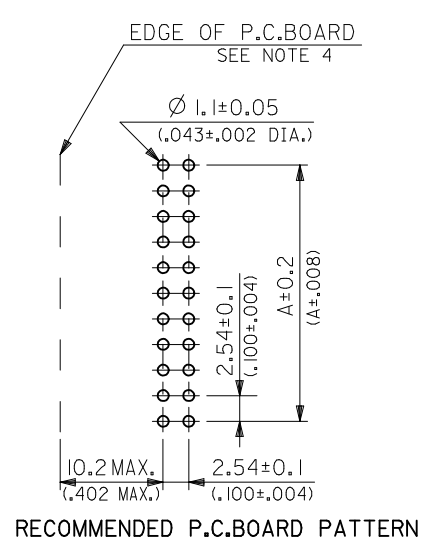
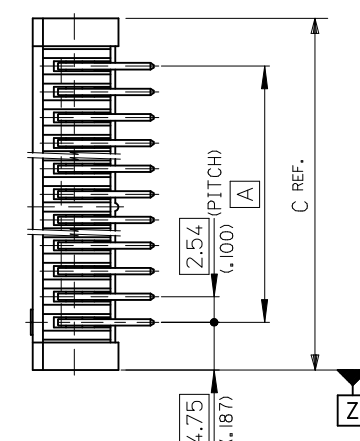
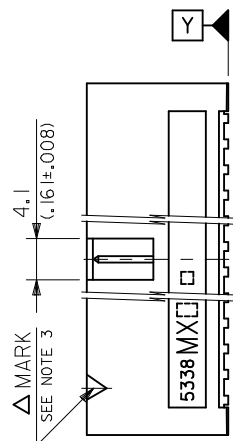
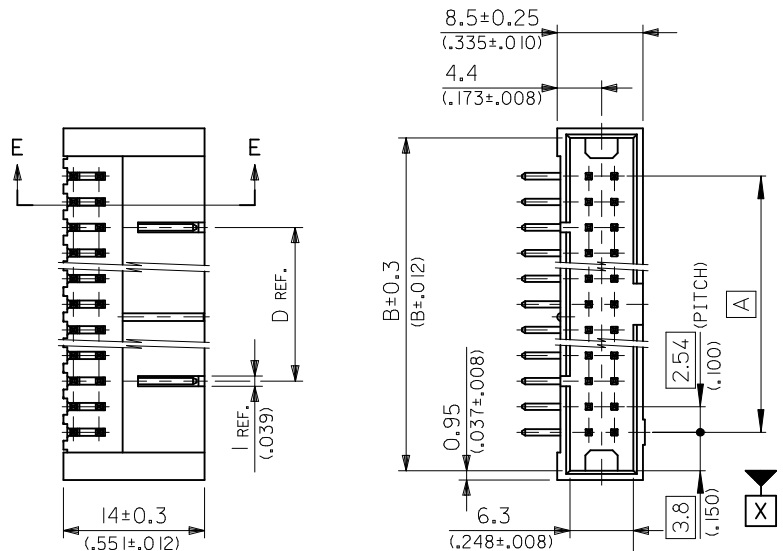
A

A

39-53-7608	5340-60BGS27F	39-53-3607	5340-60BGS17F	60
▲ -7508	▲ -50BGS27F	▲ -3507	▲ -50BGS17F	50
-7408	-40BGS27F	-3407	-40BGS17F	40
-7348	-34BGS27F	-3347	-34BGS17F	34
-7308	-30BGS27F	-3307	-30BGS17F	30
-7268	-26BGS27F	-3267	-26BGS17F	26
-7208	-20BGS27F	-3207	-20BGS17F	20
-7168	-16BGS27F	-3167	-16BGS17F	16
▼ -7148	▼ -14BGS27F	▼ -3147	▼ -14BGS17F	14
39-53-7108	5340-10BGS27F	39-53-3107	5340-10BGS17F	10
EDP NO.	ENG. NO.	EDP NO.	ENG. NO.	NO. OF
5340-NBGS27F-LEAD FREE-		5340-NBGS17F-LEAD FREE-		CKT.S.

—	—	39-26-7603	5340-60BGS2	—	—	60
39-28-5503	5340-50BT2	▲ -7503	▲ -50BGS2	39-26-7502	5340-50BGS1	50
▲ -5403	▲ -40BT2	-7403	-40BGS2	—	—	40
-5343	-34BT2	-7343	-34BGS2	—	—	34
-5303	-30BT2	-7303	-30BGS2	—	—	30
-5263	-26BT2	-7263	-26BGS2	—	—	26
-5203	-20BT2	-7203	-20BGS2	—	—	20
-5163	-16BT2	-7163	-16BGS2	—	—	16
▼ -5143	▼ -14BT2	▼ -7143	▼ -14BGS2	—	—	14
39-28-5103	5340-10BT2	39-26-7103	5340-10BGS2	—	—	10
EDP NO.	ENG. NO.	EDP NO.	ENG. NO.	EDP NO.	ENG. NO.	NO. OF
5340-NBT2 -LEAD FREE-		5340-NBGS2		5340-NBGS1		CKT.S.

REVISED EC NO: J2009-2013 DRWN:MMABEI 2009/03/12 CHKD:THARUYAMA 2009/03/13 APPR:NUKITA 2009/03/16 M	DESCRIPTION GENERAL TOLERANCES (UNLESS SPECIFIED) DIMENSION STYLE SCALE DESIGN UNITS THIRD ANGLE PROJECTION TITLE MOLEX INCORPORATED DOCUMENT NO. SHEET NO.	10 UNDER ± 0.2	DRAWN BY HHIRAMOTO	DATE 1989/11/13	QIK FLECS HEADER ASSY R/A WITH EJECT LEVER (ENGLISH ONLY) MOLEX INCORPORATED SD-5340-002 2 OF 2
		10 OVER 30 UNDER ± 0.25	CHECKED BY MSASAO	DATE	
		30 OVER ± 0.3	APPROVED BY HIKESUGI	DATE	
		ANGULAR ± 3 °	MATERIAL NO.	SEE TABLE	
		DRAFT WHERE APPLICABLE MUST REMAIN WITHIN DIMENSIONS	SIZE A3	THIS DRAWING CONTAINS INFORMATION THAT IS PROPRIETARY TO MOLEX INCORPORATED AND SHOULD NOT BE USED WITHOUT WRITTEN PERMISSION	



NOTES

- MATERIAL WAFER : G.F. 15% PBT (UL94V-0), COLOR---BLACK
PINS : BRASS, SIZE--- □0.635(.025 SQ.)
- MATES WITH MOLEX CONNECTOR SERIES OF 5320.
- LEGEND
5342 - N *
BASE NUMBER _____
CIRCUIT SIZE _____
PLATING CODE OF PIN _____

	CODE:*	△ MARK COLOR	CONTACT AREA	SOLDER AREA	UNDER PLATE
LEAD-FREE	GS17F	YELLOW	GOLD 0.1 μm(.000004) MIN.	TIN 1 μm(.00004) MIN.	NICKEL 1 μm(.00004) MIN.
LEAD-FREE	T2	BLACK	TIN 1 μm(.00004) MIN.		NICKEL 0.5 μm(.00002) MIN.

4. 10.2(.402) MAX. TO EDGE OF P.C. BOARD FOR DAISY CHAIN APPLICATION.

SECT. E-E (SCALE 3:1)

60	73.66 (2.900)	81.26 (3.200)	83.16 (3.274)	63.50 (2.500)
50	60.96 (2.400)	68.56 (2.700)	70.46 (2.774)	50.80 (2.000)
40	48.26 (1.900)	55.86 (2.200)	57.76 (2.274)	38.10 (1.500)
36	43.18 (1.700)	50.78 (2.000)	52.68 (2.074)	33.02 (1.300)
34	40.64 (1.600)	48.24 (1.900)	50.14 (1.974)	30.48 (1.200)
30	35.56 (1.400)	43.16 (1.700)	45.06 (1.774)	25.40 (1.000)
26	30.48 (1.200)	38.08 (1.500)	39.98 (1.574)	— # —
20	22.86 (.900)	30.46 (1.200)	32.36 (1.274)	— # —
16	17.78 (.700)	25.38 (1.000)	27.28 (1.074)	— # —
14	15.24 (.600)	22.84 (.900)	24.74 (.974)	— # —
10	10.16 (.400)	17.76 (.700)	19.66 (.774)	— # —
NO. OF CKTS.	DIM. A	DIM. B	DIM. C	DIM. D

REVISED EC NO: J2009-2013 DRWN: MABEI 2009/03/12 CHKD: THARUYAMA 2009/03/13 APPR: NUKITA 2009/03/16 K REV	GENERAL TOLERANCES (UNLESS SPECIFIED) 10 UNDER ±0.2 10 OVER 30 UNDER ±0.25 30 OVER ±0.3 ANGULAR ±3 ° DRAFT WHERE APPLICABLE MUST REMAIN WITHIN DIMENSIONS		DIMENSION STYLE MM/IN DRAWN BY H. HIRAMOTO DATE 1989/08/21 CHECKED BY M. SASAO DATE APPROVED BY H. IKESUGI DATE MATERIAL NO. SEE SHEET 2		SCALE 2:1	DESIGN UNITS METRIC	THIRD ANGLE PROJECTION
	TITLE QIK FLECS WAFER ASSY RA						
	MOLEX INCORPORATED					DOCUMENT NO. SD-5342-002	SHEET NO. 1 OF 2
	THIS DRAWING CONTAINS INFORMATION THAT IS PROPRIETARY TO MOLEX INCORPORATED AND SHOULD NOT BE USED WITHOUT WRITTEN PERMISSION						

10 9 8 7 6 5 4 3 2 1

F

F

E

E

D

D

C

C

B

B

A

A

—#—	—#—	39-53-7504	5342-50GS17F	50
—#—	—#—	↑ -7404	↑ -40GS17F	40
—#—	—#—	—#—	—#—	36
39-28-5344	5342-34T2	—#—	—#—	34
↑ -5304	↑ -30T2	-7304	-30GS17F	30
-5264	-26T2	-7264	-26GS17F	26
-5204	-20T2	-7204	-20GS17F	20
↓ -5164	↓ -16T2	-7164	-16GS17F	16
↓ -5144	↓ -14T2	↓ —#—	↓ —#—	14
39-28-5104	5342-10T2	39-53-7104	5342-10GS17F	10
EDP NO.	ENG. NO.	EDP NO.	ENG. NO.	NO. OF
5342-NT2		5342-NGS17F		CKTS.

REVISED EC NO: J2009-2013 DRWN: MABEL 2009/03/12 CHKD: THARUYAMA 2009/03/13 APPR: NUKITA 2009/03/16	GENERAL TOLERANCES (UNLESS SPECIFIED)		DIMENSION STYLE MM/IN		SCALE 2:1	DESIGN UNITS METRIC		THIRD ANGLE PROJECTION	
	10 UNDER	±0.2	DRAWN BY H. HIRAMOTO		DATE 1989/08/21		TITLE QIK FLECS WAFER ASSY RA		
	10 OVER 30 UNDER	±0.25	CHECKED BY M. SASAO		DATE		MOLEX INCORPORATED DOCUMENT NO. SD-5342-002 SHEET NO. 2 OF 2		
	30 OVER	±0.3	APPROVED BY H. IKESUGI		DATE				
ANGULAR ±3 °		MATERIAL NO.		SEE TABLE					
DRAFT WHERE APPLICABLE MUST REMAIN WITHIN DIMENSIONS		SIZE A3		THIS DRAWING CONTAINS INFORMATION THAT IS PROPRIETARY TO MOLEX INCORPORATED AND SHOULD NOT BE USED WITHOUT WRITTEN PERMISSION					