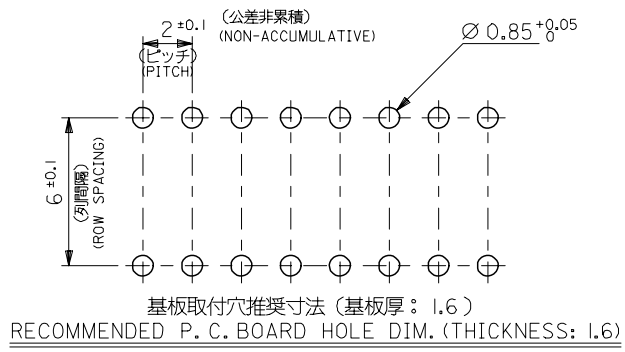
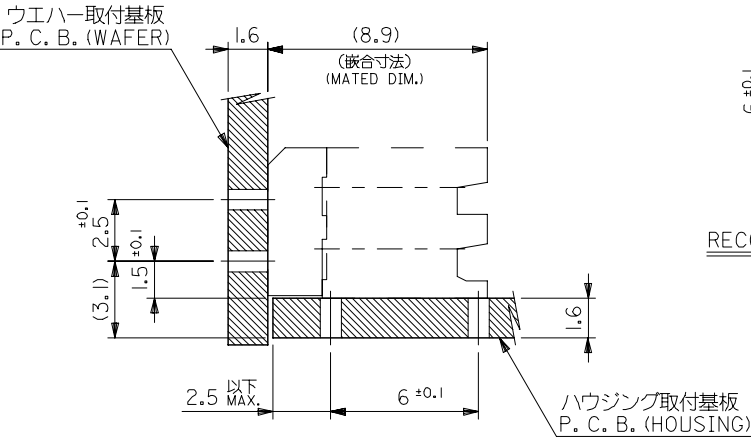


注記 NOTES

1. 嵌合相手：5532シリーズ
MATES WITH : 5532 SERIES
2. 材質 MATERIAL
ターミナル：リン青銅 (±0.32)、ニッケル下地錫メッキ
TERMINAL : PHOSPHOR BRONZE (±0.32),
TIN OVER NICKEL PLATED
ハウジング：ナイロン66、UL94V-0
HOUSING : NYLON66, UL94V-0
3. 本製品は5533-NAPBの鉛フリー品である。
THIS PRODUCT IS LEAD FREE OF 5533-NAPB.



41.9	38	39-53-2408	5533-40APB7F	40
39.9	36	↑ -2388	↑ -38APB7F	38
37.9	34	-2368	-36APB7F	36
35.9	32	-2348	-34APB7F	34
33.9	30	-2328	-32APB7F	32
31.9	28	-2308	-30APB7F	30
29.9	26	-2288	-28APB7F	28
27.9	24	-2268	-26APB7F	26
25.9	22	-2248	-24APB7F	24
23.9	20	-2228	-22APB7F	22
21.9	18	-2208	-20APB7F	20
19.9	16	-2188	-18APB7F	18
17.9	14	-2168	-16APB7F	16
15.9	12	-2148	-14APB7F	14
13.9	10	-2128	-12APB7F	12
11.9	8	-2108	-10APB7F	10
9.9	6	-2088	-08APB7F	8
7.9	4	↓ -2068	↓ -06APB7F	6
5.9	2	39-53-2048	5533-04APB7F	4

MODEL NO. 5533-NAPB7F

REVISED EC NO: J2005-2974 DRAWN: NABEI CHKD: KTOJO APPR: NUKITA 2005/04/07 2005/04/08 2005/04/13	GENERAL TOLERANCES (UNLESS SPECIFIED)		DIMENSION STYLE MM ONLY		SCALE ---	DESIGN UNITS METRIC	THIRD ANGLE PROJECTION
	10 UNDER	±0.2	DRAWN BY M. NAGATA	DATE '04/03/16	TITLE 2.0 BOARD TO BOARD CONN HOUSING ASSY -LEAD FREE-		
	10 OVER 30 UNDER	±0.25	CHECKED BY K. TOJO	DATE '04/03/16			
	30 OVER	±0.3	APPROVED BY M. SASAO	DATE '04/03/16	MOLEX INCORPORATED		
ANGULAR	±3 °	MATERIAL NO.	DOCUMENT NO. SD-5533-002	SHEET NO. 1 OF 1			
DRAFT WHERE APPLICABLE MUST REMAIN WITHIN DIMENSIONS		SIZE A3		THIS DRAWING CONTAINS INFORMATION THAT IS PROPRIETARY TO MOLEX INCORPORATED AND SHOULD NOT BE USED WITHOUT WRITTEN PERMISSION			

基板取付推奨レイアウト
P.C. BOARDS POSITIONING WHEN MATED

