

PLEASE CHECK WWW.MOLEX.COM FOR LATEST PART INFORMATION

Part Number: [39-03-6032](#)
Status: **Active**
Overview: Standard .093"
Description: 2.36mm Diameter Standard .093" Pin and Socket Plug Housing with Positive Latch, UL 94V-2, without Panel Mount, 3 Circuits

Documents:

[3D Model](#) [Product Specification PS-3191-001 \(PDF\)](#)
[Drawing \(PDF\)](#) [RoHS Certificate of Compliance \(PDF\)](#)

Agency Certification

CSA	LR19980
TUV	R72081037
UL	E29179

General

Product Family	Crimp Housings
Series	3191
Application	Power, Wire-to-Board, Wire-to-Wire
Comments	Polarized to Mating Part
Overview	Standard .093"
Product Name	Standard .093"
UPC	800753756595

Physical

Breakaway	No
Circuits (maximum)	3
Circuits Detail	1x3
Color - Resin	Natural
Flammability	94V-2
Gender	Dual
Glow-Wire Compliant	No
Keying to Mating Part	None
Lock to Mating Part	Yes
Material - Resin	Nylon
Net Weight	3350.100/mg
Number of Rows	1
Packaging Type	Bag
Panel Mount	No
Pitch - Mating Interface	6.70mm
Polarized to Mating Part	Yes
Stackable	No
Temperature Range - Operating	-40°C to +105°C

Electrical

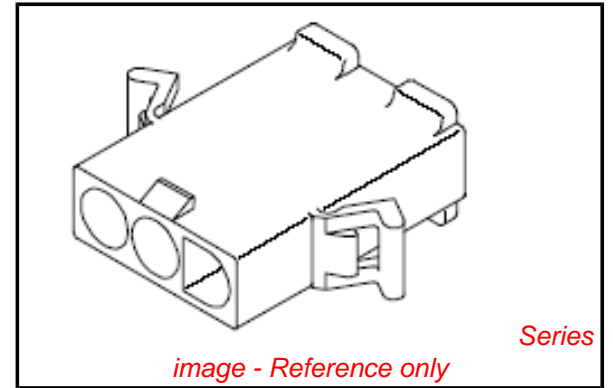
Current - Maximum per Contact	11A
-------------------------------	-----

Material Info

Old Part Number	3191-03P1
-----------------	-----------

Reference - Drawing Numbers

Product Specification	PS-3191-001, RPS-3191-001
Sales Drawing	SD-3191-03P1-*



EU RoHS

ELV and RoHS Compliant

REACH SVHC

Contains SVHC: No Low-Halogen Status Low-Halogen

China RoHS



Need more information on product environmental compliance?

Email productcompliance@molex.com
 For a multiple part number RoHS Certificate of Compliance, [click here](#)

Please visit the [Contact Us](#) section for any non-product compliance questions.

Search Parts in this Series

[3191Series](#)

Mates With

[39036034](#) , [5219](#)

Use With

[1189](#) Crimp Terminals, [1190](#) Crimp Terminals, [1380](#) Male Crimp Terminals, [1381](#) Female Crimp Terminals, [1433](#) Crimp Terminals, [1434](#) Male Crimp Terminals, [2605](#) , [2606](#) , [1973](#) , [2151](#) , [2273](#) , [2870](#) , [2871](#) , [4272](#)

PLEASE CHECK WWW.MOLEX.COM FOR LATEST PART INFORMATION