

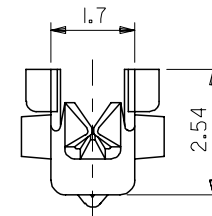
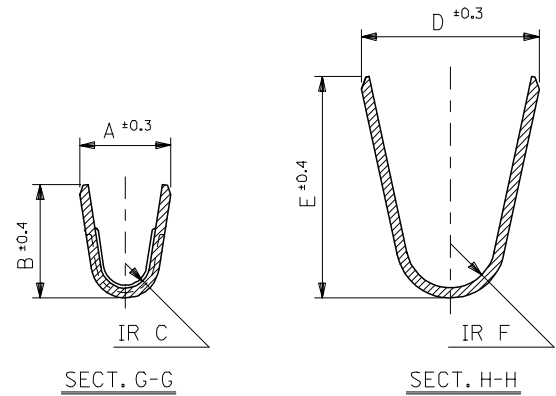
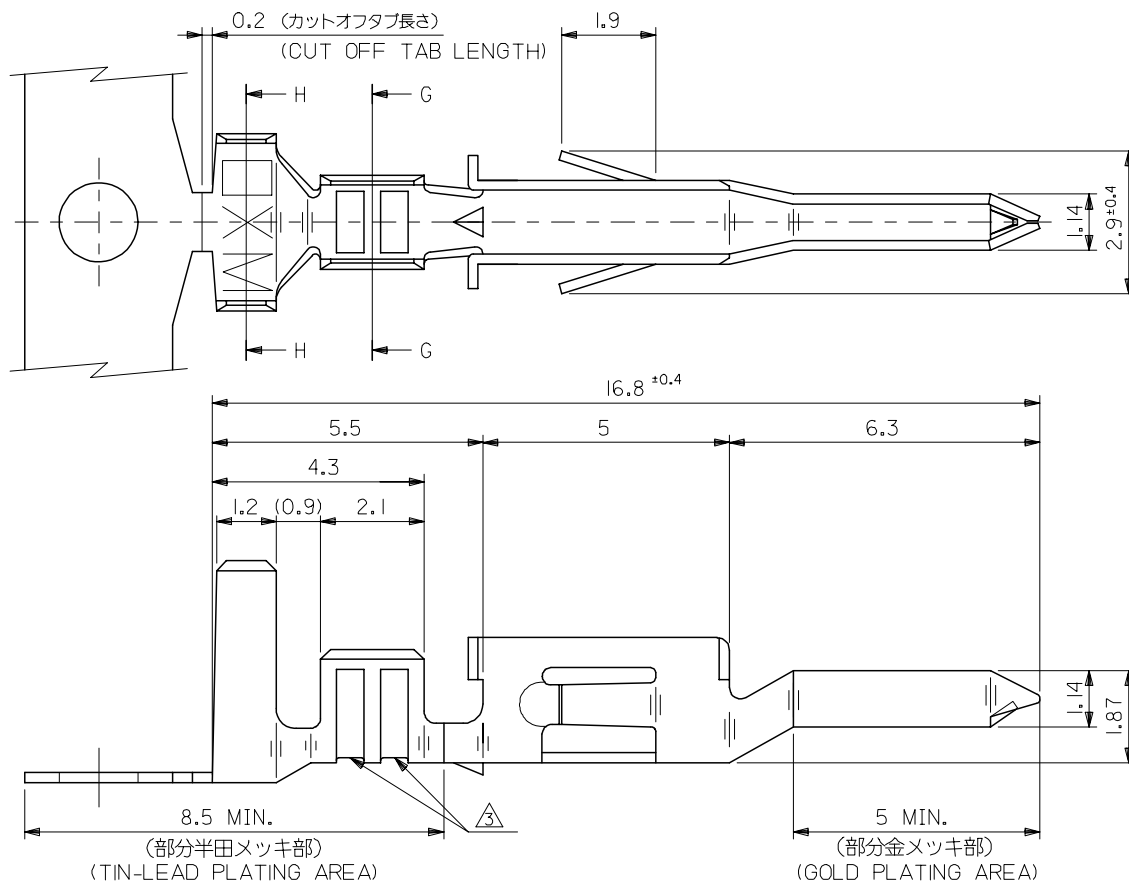
Distributed by:

**JAMECO**<sup>®</sup>  
ELECTRONICS

**www.Jameco.com ♦ 1-800-831-4242**

The content and copyrights of the attached  
material are the property of its owner.

Jameco Part Number 1299219



黄銅 BRASS (t=0.203)	部分金メッキ: 0.76 μm MIN. SELECTIVE GOLD: 0.76 μm MIN. 部分半田メッキ: 2 μm MIN. SELECTIVE TIN-LEAD: 2 μm MIN. ニッケルメッキ (下地): 1.27 μm MIN. NICKEL: 1.27 μm MIN.	0.6	2.3	2.3	0.4	1.65	1.8	∅ 0.9-1.8	#22-28	39-00-0088	5558 GS2L	バラ状 LOOSE
MATERIAL	メッキ・FINISH	F	E	D	C	B	A	被覆外形 INS. RANGE	適用電線 WIRE RANGE	EDP NO.	ENG. NO.	端子形状 FORM
		0.9	4.5	3.6	0.5	2.3	1.9	∅ 1.3-3.1	#18-24	↑ -0087 ↓ -0054 39-00-0053	↑ GS2 ↓ GSL	連鎖状 CHAIN LOOSE

注記  
NOTES.

- 適合ハウジング : 5557 シリーズ  
APPLICABLE HOUSING : 5557 SERIES.
  - 嵌合相手 : 5558, 5566, 5569 シリーズ  
MATES WITH TERMINAL : 5558 , 5566 , 5569 SERIES.
- △ 適用電線が #22-28 の製品のセレーション数は 1 とする。  
THE NUMBER OF SERRATIONS TO BE ONE FOR WIRE RANGE #22-28.

REVISED EC NO: J2005-1103 DRAWN: MIMEDA 2004/10/20 CHKD: KTOYODA 2004/10/20 APPR: NUKITA 2004/10/22	GENERAL TOLERANCES (UNLESS SPECIFIED)		DIMENSION STYLE MM ONLY		SCALE 10:1	DESIGN UNITS METRIC	THIRD ANGLE PROJECTION
	10 UNDER	±0.2	DRAWN BY H. HIRAMO		TITLE NEW MINI. FIT CONN. CRIMP PIN		
	10 OVER 30 UNDER	±0.25	CHECKED BY M. FUKUSI		MATERIAL NO. SEE CHART		
	30 OVER	±0.3	APPROVED BY M. ENOMOT		DOCUMENT NO. SD-5558GS**		
	ANGULAR ±3 °	DRAFT WHERE APPLICABLE MUST REMAIN WITHIN DIMENSIONS		SIZE A3		SHEET NO. 1 OF 1	