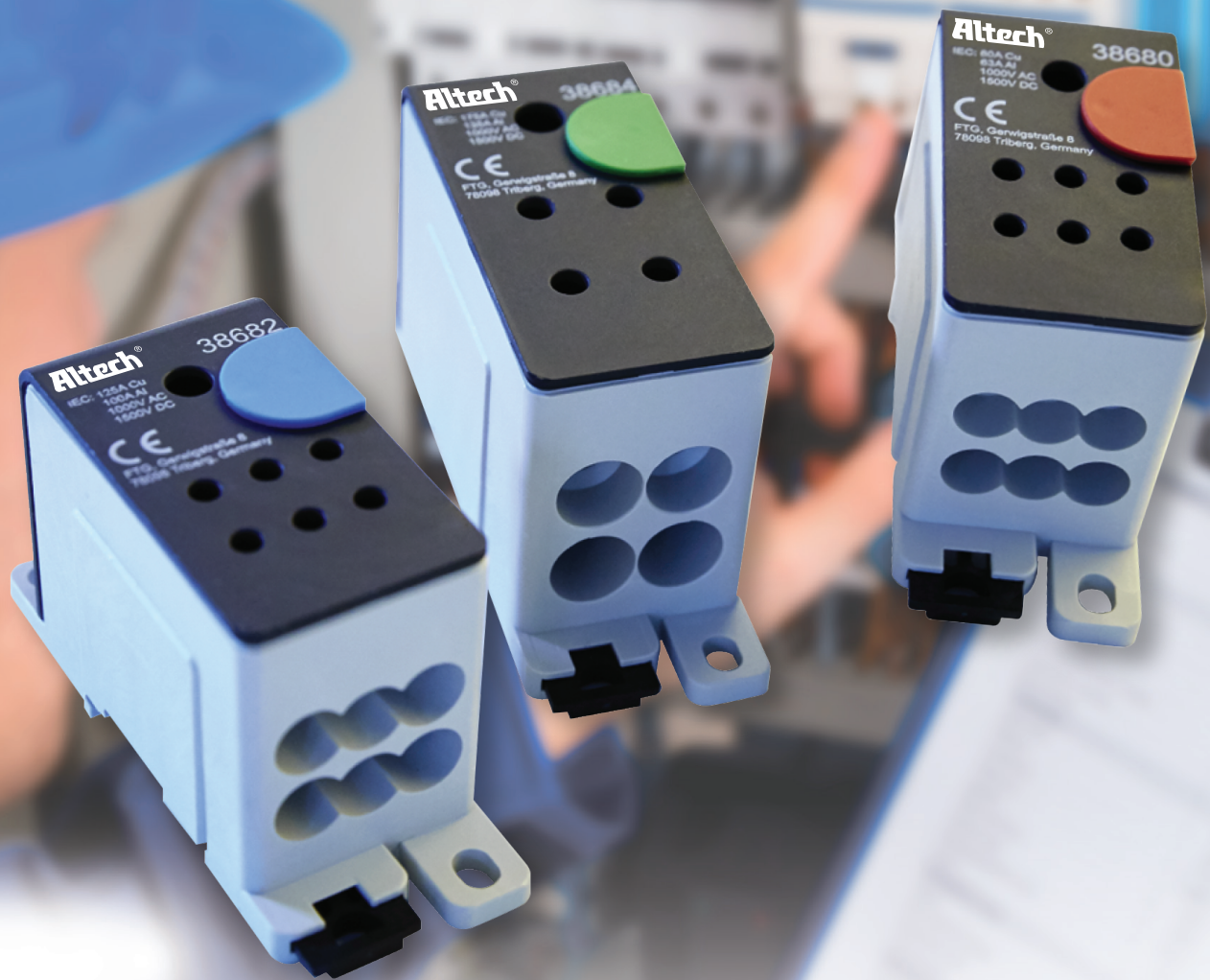


Altech Corp.®



UL1953 Power Distribution Blocks

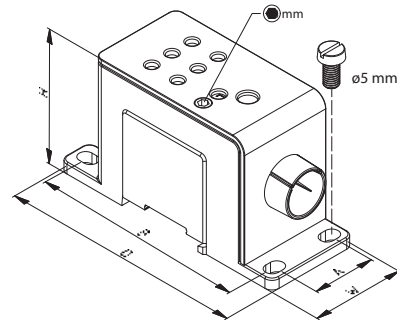
UL1953 Power Distribution Blocks

Engineering Excellence meets Modern Design! The new Altech single pole compact Power Distribution Block includes many new innovative refinements including Selectable Phase Identification, Color Marking Plates, Simple and Secure DIN Mounting Clip, Incoming Cable Safety Slide, and Connection Clip for multipole applications.

- Adjustable Dial allows for Selection of L1-L2-L3 phase designation
- Color Marking Plates in Green, Blue or Red
- Simple and secure DIN rail locking clip allows easy mounting on DIN Rail
- Incoming Cable Safety Slide assures IP20 protection with all conductor sizes
- Connection Clip included with each PDB for Multipole applications
- Suitable for Aluminum and Copper conductors

Technical Data

UL Rating	UL Listed to 1953
UL Voltage Rating	1000VAC / DC
PDB Block Material	Tin plated Aluminum
Suitable Conductors	Copper or Aluminum
Housing Color	light grey / dark grey



38680



38682



38684



38686



38688

Single Pole Power Distribution Blocks

Part #	Amp Rating	Line		Load		Dimensions In (mm)			Mounting In (mm)	
		# Con-ductors	Conductor Range	# Con-ductors	Conductor Range	H	W	D	A	B
38680	85 A Cu	1	#3 - #14	6	#8 - #14	1.93 (49)	1.417 (36)	3.524 (89.5)	0.914 (23.2)	3.118 (79.2)
38680C*	65 A Al									
38682	115 A Cu	1	#1 - #14	6	#4 - #14	1.93 (49)	1.417 (36)	3.524 (89.5)	0.914 (23.2)	3.118 (79.2)
38682C*	90 A Al									
38684	175 A Cu	1	#2/0 - #14	4	#2 - #14	2.09 (53)	1.417 (36)	3.898 (99)	0.914 (23.2)	3.492 (88.7)
38684C*	135 A Al									
38686	255 A Cu	1	#250 kcmil - #2	6	#2 - #14	2.39 (60.7)	2.126 (54)	4.488 (114)	1.622 (41.2)	4.063 (103.7)
38686C*	205 A Al									
38688	380 A Cu	1	#500 kcmil - #2/0	6	#2 - #14	2.39 (60.7)	2.126 (54)	4.488 (114)	1.622 (41.2)	4.063 (103.7)
38688C*	310 A Al									

*Add "C" to PDB+ part # to include Blue, Red and Green Marking Plates (1 each) with the PDB, or order Marking Plates separately using part #s below

Marking plate blue
Marking plate red
Marking plate green



38682 + C38BL



38680 + C38RT



38684 + C38GN

UL1953 Power Distribution Blocks

Features:

