



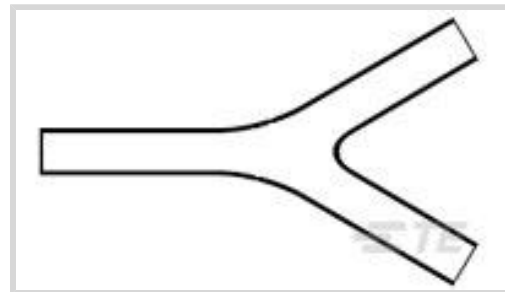
RAYCHEM

TE Internal #: 183451-000

Cable Transitions & Breakouts, Y Shape, 3 Branches , 71, 10, -55 – 135 °C [-67 – 275 °F], 86, Long-Term Fluid Exposure at High Temperatures

[View on TE.com >](#)

Wire Protection & Management > Heat Shrink Shapes > Cable Transitions & Breakouts



Molded Part Shape: **Y Shape**

Number of Branches & Legs: **3**

Material Code: **71**

Material Systems Code: **10**

Adhesive Requirement: **Adhesive Precoat**

Features

Product Type Features

Molded Part Shape	Y Shape
-------------------	---------

Configuration Features

Number of Branches & Legs	3
Adhesive Requirement	Adhesive Precoat

Body Features

Primary Product Material	Semi-Rigid Modified Polyolefin
Material Code	71
Material Systems Code	10

Dimensions

Inside Diameter Range (Leg 2)	6.6 – 13.2 mm [.26 – .52 in]
Inside Diameter Range (Body)	6.6 – 19.8 mm [.26 – .78 in]
Inside Diameter Range (Leg 1)	6.6 – 13.2 mm [.26 – .52 in]

Usage Conditions

Flammability Requirement	Flame-Retardant
Operating Temperature Range	-55 – 135 °C [-67 – 275 °F]
Resistance Protection	Long-Term Fluid Exposure at High Temperatures

Operation/Application



Mechanical Resistance	Flexing
-----------------------	---------

Other

Size Code	301
-----------	-----

Molded Part Shape Code	381A
------------------------	------

Adhesive Code	86
---------------	----

Product Compliance

[For compliance documentation, visit the product page on TE.com>](#)

EU RoHS Directive 2011/65/EU	Compliant
------------------------------	-----------

EU ELV Directive 2000/53/EC	Compliant
-----------------------------	-----------

China RoHS 2 Directive MIIT Order No 32, 2016	No Restricted Materials Above Threshold
---	---

EU REACH Regulation (EC) No. 1907/2006	Current ECHA Candidate List: JUNE 2024 (241) Candidate List Declared Against: JAN 2024 (240) Does not contain REACH SVHC
--	--

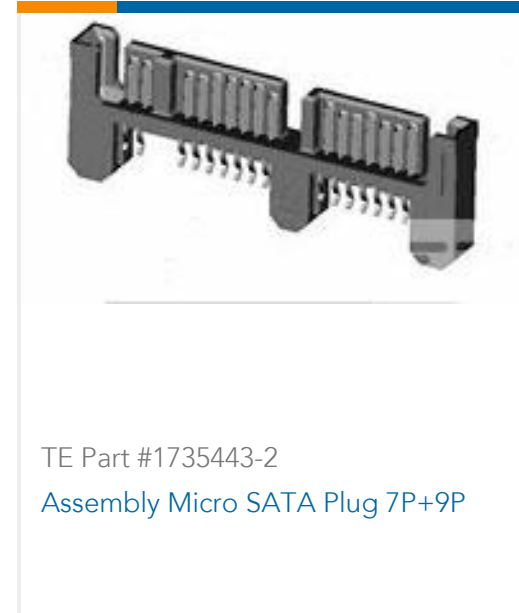
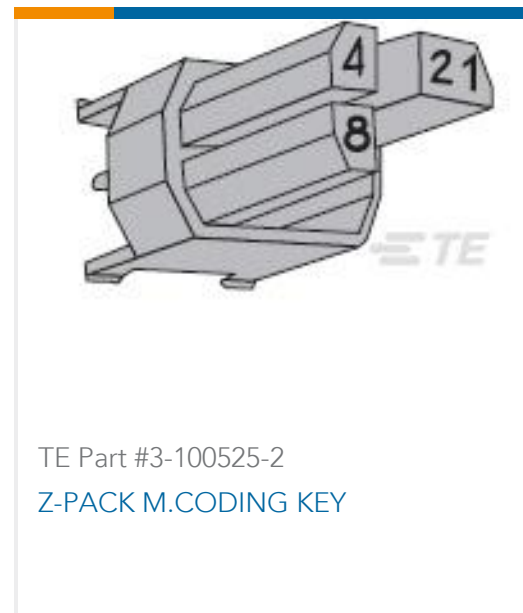
Halogen Content	Not Low Halogen - contains Br or Cl > 900 ppm.
-----------------	--

Solder Process Capability	Not applicable for solder process capability
---------------------------	--

Product Compliance Disclaimer

This information is provided based on reasonable inquiry of our suppliers and represents our current actual knowledge based on the information they provided. This information is subject to change. The part numbers that TE has identified as EU RoHS compliant have a maximum concentration of 0.1% by weight in homogenous materials for lead, hexavalent chromium, mercury, PBB, PBDE, DBP, BBP, DEHP, DIBP, and 0.01% for cadmium, or qualify for an exemption to these limits as defined in the Annexes of Directive 2011/65/EU (RoHS2). Finished electrical and electronic equipment products will be CE marked as required by Directive 2011/65/EU. Components may not be CE marked. Additionally, the part numbers that TE has identified as EU ELV compliant have a maximum concentration of 0.1% by weight in homogenous materials for lead, hexavalent chromium, and mercury, and 0.01% for cadmium, or qualify for an exemption to these limits as defined in the Annexes of Directive 2000/53/EC (ELV). Regarding the REACH Regulation, the information TE provides on SVHC in articles for this part number is based on the latest European Chemicals Agency (ECHA) 'Guidance on requirements for substances in articles' posted at this URL: <https://echa.europa.eu/guidance-documents/guidance-on-reach>

Customers Also Bought



Documents

Product Drawings

[381A301-71/86-0](#)

English

Datasheets & Catalog Pages

[1654025_Sec4_-71](#)

English

Raychem Molded Parts Visual Guide

English

Product Specifications

[Product Specification](#)

English