

36921 ✓ ACTIVE

SOLISTRAND

TE Internal #: 36921

Closed Ring Tongue Terminal, 2/0 AWG, 1/4 / M6 Stud Size, 6.73 mm [.265 in] Stud Diameter, Closed Barrel, Straight, Tin, Uninsulated

[View on TE.com >](#)



Terminals & Splices > Ring Terminals



Ring Terminal Product Type: Closed Ring Tongue Terminal

Wire Size: 119500 – 150500 CMA

Stud Size: 1/4, M6

Features

Product Type Features

Ring Terminal Product Type	Closed Ring Tongue Terminal
Stud Size	1/4, M6
Sealable	No
Wire Insulation Support Retention Type	Non-Insulation Support

Configuration Features

Number of Holes	1
-----------------	---

Body Features

Product Weight	29.656 g
----------------	----------

Contact Features

Barrel Type	Closed
Terminal Orientation	Straight
Terminal Plating Material	Tin

Mechanical Attachment

Wire Insulation Support	Without
-------------------------	---------

Dimensions



Wire Size	119500 – 150500 CMA
Stud Diameter	6.73 mm[.265 in]
Tongue Thickness	2.03 mm[.08 in]
Product Length	51.56 mm[2.03 in]
Barrel Inside Diameter	12.8 mm[.504 in]

Usage Conditions

Insulation Option	Uninsulated
Operating Temperature Range	170 °C[338 °F]

Operation/Application

Compatible With Wire Base Material	Copper
Compatible With Wire Plating Material	Tin

Industry Standards

Government Qualified Terminal	No
-------------------------------	----

Packaging Features

Packaging Quantity	50
Packaging Method	Loose Piece

Product Compliance

[For compliance documentation, visit the product page on TE.com>](#)

EU RoHS Directive 2011/65/EU	Compliant
EU ELV Directive 2000/53/EC	Compliant
China RoHS 2 Directive MIIT Order No 32, 2016	No Restricted Materials Above Threshold
EU REACH Regulation (EC) No. 1907/2006	Current ECHA Candidate List: JAN 2024 (240) Candidate List Declared Against: JAN 2024 (240) Does not contain REACH SVHC
Halogen Content	Low Halogen - Br, Cl, F, I < 900 ppm per homogenous material. Also BFR/CFR/PVC Free
Solder Process Capability	Not applicable for solder process capability

Product Compliance Disclaimer

This information is provided based on reasonable inquiry of our suppliers and represents our current actual knowledge based on the information they provided. This information is subject to change. The part numbers that TE has identified as EU RoHS compliant have a maximum concentration of 0.1% by weight in homogenous materials for lead, hexavalent chromium, mercury, PBB, PBDE, DBP, BBP, DEHP, DIBP, and 0.01% for cadmium, or qualify for an exemption to these

limits as defined in the Annexes of Directive 2011/65/EU (RoHS2). Finished electrical and electronic equipment products will be CE marked as required by Directive 2011/65/EU. Components may not be CE marked. Additionally, the part numbers that TE has identified as EU ELV compliant have a maximum concentration of 0.1% by weight in homogenous materials for lead, hexavalent chromium, and mercury, and 0.01% for cadmium, or qualify for an exemption to these limits as defined in the Annexes of Directive 2000/53/EC (ELV). Regarding the REACH Regulation, the information TE provides on SVHC in articles for this part number is based on the latest European Chemicals Agency (ECHA) 'Guidance on requirements for substances in articles' posted at this URL: <https://echa.europa.eu/guidance-documents/guidance-on-reach>


Compatible Parts



TE Part # 1490414-3
HYP10 SOLIS HD 1/0AWG INDENTER



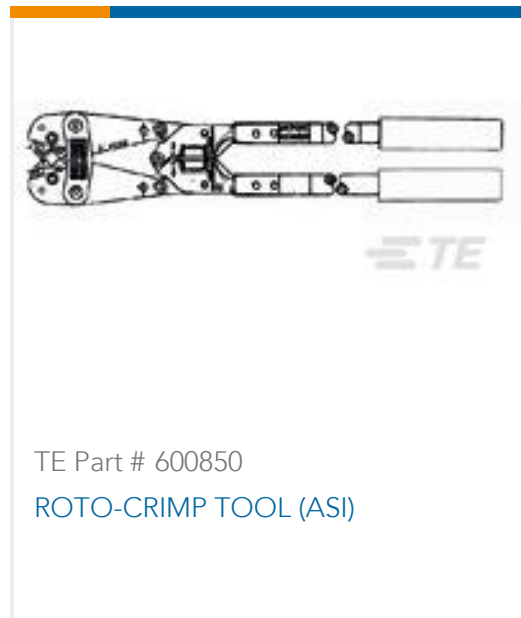
TE Part # 1490413-6
HYP10 SOLIS 2/0AWG NEST



TE Part # 48131
HYP8 SOLIS 1/0-4/0AWG INDENTER



TE Part # 45439
HYP8/10 SOLIS 2/0AWG DIE SET



TE Part # 600850
ROTO-CRIMP TOOL (ASI)



TE Part # 48133
HYP8 SOLIS 2/0AWG NEST

Customers Also Bought



TE Part #747238-4
25 MSFL PLUG RA 318 (IN,FM)



TE Part #2-36932-2
TERMINAL,SOLIS R 4/0 1/4



TE Part #364097-E
DRCBTB 1,27 12 M BTB26 24,2 137 * 094 TR



TE Part #2-1617031-0
HFW1201K45 = M39016/6-109L 094 TR



TE Part #494609-E
DRCBTB 1,27 14 M BTB26 24,2 137 * 185 TR



TE Part #494613-E
SMCB 14 F AB 0538 7-13 CL * H007 137 E00



TE Part #494614-E
SMCB 14 F AB 0538 7-23 CL * H007 137 E00



TE Part #494615-E
SMCB 12 F AB VV 7-13 CL * H007 137 E002



Documents

Product Drawings

[TERMINAL,SOLIS R 2/0 1/4](#)

English

CAD Files

Customer View Model

[ENG_CVM_CVM_36921_AC.2d_dxf.zip](#)

English

[3D PDF](#)

3D

Customer View Model

[ENG_CVM_CVM_36921_AC.3d_igs.zip](#)

English

Customer View Model

[ENG_CVM_CVM_36921_AC.3d_stp.zip](#)

English

By downloading the CAD file I accept and agree to the [Terms and Conditions](#) of use.

Agency Approvals

[UL Report](#)

English

[UL Report](#)

English