

368088-1 ✓ ACTIVE

## Multilock Connector System

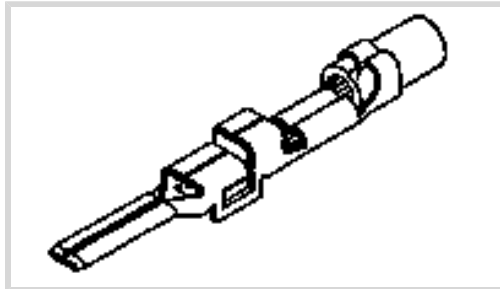
TE Internal #: 368088-1

Multilock Connector System, Automotive Terminals, Tab, Mating  
Tab Width 2.3 mm [.09 in], Tab Thickness .025 in [.64 mm], 22 – 20  
AWG Wire Size

[View on TE.com >](#)



Terminals & Splices > Automotive Terminals > MULTILOCK, RECEPTACLE AND TAB



Terminal Type: **Tab**

Mating Tab Width: **2.3 mm [.09 in]**

Mating Tab Thickness: **.64 mm [.025 in]**

Terminal Transmits: **0 – 24 A (Low Power)**

Wire Size: **22 – 20 AWG**

[All MULTILOCK, RECEPTACLE AND TAB \(143\)](#)

## Features

### Product Type Features

Receptacle Style	180°
Sealable	No
Primary Locking Feature	Clean Body

### Contact Features

Typical Current Rating	5 A
Crimp Type	F-Crimp
Terminal Type	Tab
Mating Tab Width	2.3 mm[.09 in]
Mating Tab Thickness	.64 mm[.025 in]
Interface Plating	Tin (Sn)
Contact Termination Area Plating Material	Tin (Sn)

### Termination Features

Termination Method to Wire & Cable	Crimp
Product Terminates To	Wire

### Dimensions

Wire Size	.3 – .5 mm <sup>2</sup>
Wire Size Search	20 AWG, 21 AWG, 22 AWG



Tab Length	7.3 mm[.287 in]
Wire Insulation Diameter	1.4 – 2.14 mm[.057 – .083 in]

### Usage Conditions

Insulation Option	Uninsulated
Operating Temperature (Max)	80 °C, 85 °C, 90 °C, 100 °C, 105 °C[176 °F][185 °F][194 °F][212 °F][221 °F]
Operating Temperature Range	-30 – 105 °C[-22 – 221 °F]

### Operation/Application

Compatible With Wire Base Material	Copper
------------------------------------	--------

### Industry Standards

Agency/Standard	OEM
-----------------	-----

### Packaging Features

Packaging Method	Reel
Packaging Quantity	5000

### Other

Terminal Transmits	0 – 24 A (Low Power)
--------------------	----------------------

## Product Compliance

[For compliance documentation, visit the product page on TE.com>](#)

EU RoHS Directive 2011/65/EU	Compliant
EU ELV Directive 2000/53/EC	Compliant
China RoHS 2 Directive MIIT Order No 32, 2016	No Restricted Materials Above Threshold
EU REACH Regulation (EC) No. 1907/2006	Current ECHA Candidate List: JAN 2022 (223) Candidate List Declared Against: JAN 2022 (223) Does not contain REACH SVHC
Halogen Content	Low Halogen - Br, Cl, F, I < 900 ppm per homogenous material. Also BFR/CFR/PVC Free
Solder Process Capability	Not applicable for solder process capability

#### Product Compliance Disclaimer

This information is provided based on reasonable inquiry of our suppliers and represents our current actual knowledge based on the information they provided. This information is subject to change. The part numbers that TE has identified as EU RoHS compliant have a maximum concentration of 0.1% by weight in homogenous materials for lead, hexavalent chromium, mercury, PBB, PBDE, DBP, BBP, DEHP, DIBP, and 0.01% for cadmium, or qualify for an exemption to these

limits as defined in the Annexes of Directive 2011/65/EU (RoHS2). Finished electrical and electronic equipment products will be CE marked as required by Directive 2011/65/EU. Components may not be CE marked. Additionally, the part numbers that TE has identified as EU ELV compliant have a maximum concentration of 0.1% by weight in homogenous materials for lead, hexavalent chromium, and mercury, and 0.01% for cadmium, or qualify for an exemption to these limits as defined in the Annexes of Directive 2000/53/EC (ELV). Regarding the REACH Regulation, the information TE provides on SVHC in articles for this part number is based on the latest European Chemicals Agency (ECHA) 'Guidance on requirements for substances in articles' posted at this URL: <https://echa.europa.eu/guidance-documents/guidance-on-reach>

## Compatible Parts



TE Part # 2305570-1  
TERMINAL CUTTER, SIDE FEED



TE Part # CAT-M9194-CH8172  
MULTILOCK, CONNECTOR HOUSING



TE Part # CAT-M9194-T273  
MULTILOCK, RECEPTACLE AND TAB



TE Part # 2-2151253-1  
OCEAN\_2.0\_Applicator-S-070F110F



TE Part # 2-2151253-2  
OCEAN\_2.0\_Applicator-S-070F110FA



TE Part # 2151253-1  
OCEAN\_2.0\_Applicator-S-070F110F



TE Part # 2151253-2  
OCEAN\_2.0\_Applicator-S-070F110FA



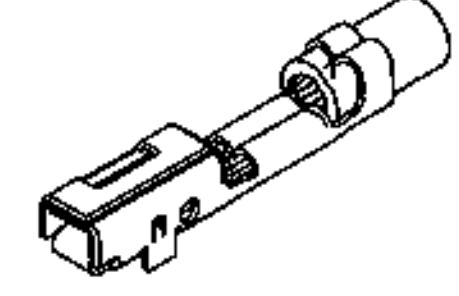
TE Part # 7-2151253-1  
OCEAN\_2.0\_Applicator-S-070F110F



TE Part # 7-2151253-2  
OCEAN\_2.0\_Applicator-S-070F110FA



TE Part # 7-2151253-7  
OCEAN\_2.0\_SPARE\_PART\_KIT-070F110F



TE Part # 368083-1  
090II NON SLD REC(SQ.2.0)



TE Part # 368084-1  
090II NON SLD REC(SQ0.85-1.25)



TE Part # 1-368169-1  
090 MLC 2P CAP HSG



TE Part # 2005074-1  
090III 22P CAP ASSY

Also in the Series | **Multilock Connector System**



Automotive Connector Caps & Covers (16)



Automotive Connector EMC Shielding (1)



Automotive Connector Locks & Position Assurance(2)



Automotive Housings(574)



Automotive Seals & Cavity Plugs(2)



Automotive Terminals(141)



Insertion & Extraction Tools(6)



Other Automotive Connector Accessories(9)

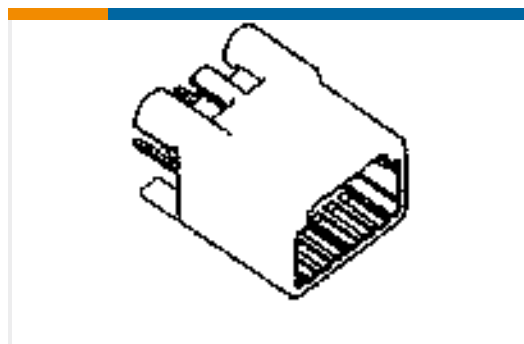


PCB Headers & Receptacles(129)

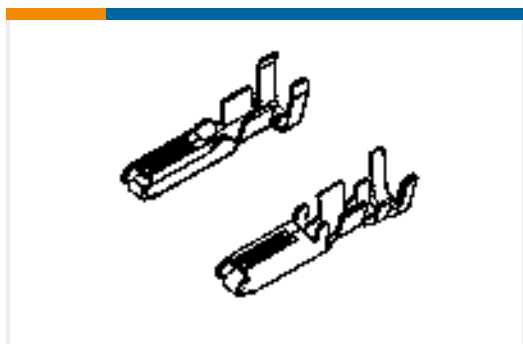
## Customers Also Bought



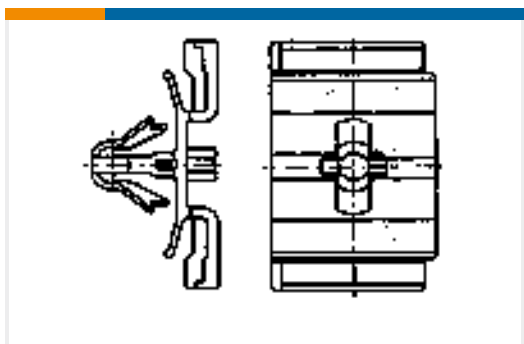
TE Part #936236-1  
MULTILOCK, CONNECTOR HOUSING



TE Part #1473898-6  
025 12POS CAP ASSY V TIN



TE Part #173630-1  
REC CONT. (SIGNAL) AWG#22-24



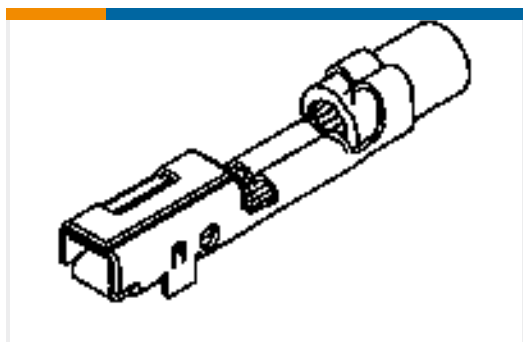
TE Part #282322-1  
HOOK FOR SEALED SEC.CONN.



TE Part #1-936059-3  
2.8MM SLD 2P PLUG ASSY



TE Part #368036-1  
CLIP FOR 070 & EJ MK-II(DAEWOO)



TE Part #368084-1  
090II NON SLD REC(SQ0.85-1.25)



TE Part #368482-1  
ABS CONN PLUG 25P ASSY(MANDO)

## Documents



### Product Drawings

[090II NON SLD TAB\(SQ 0.3-0.5\)](#)

English

---

### CAD Files

[3D PDF](#)

3D

Customer View Model

[ENG\\_CVM\\_CVM\\_368088-1\\_F.2d\\_dxf.zip](#)

English

Customer View Model

[ENG\\_CVM\\_CVM\\_368088-1\\_F.3d\\_igs.zip](#)

English

Customer View Model

[ENG\\_CVM\\_CVM\\_368088-1\\_F.3d\\_stp.zip](#)

English

By downloading the CAD file I accept and agree to the [Terms and Conditions](#) of use.

---

### Product Specifications

[Application Specification](#)

English

---

### Product Environmental Compliance

[Product Compliance](#)

English

[Product Compliance](#)

English