

PLEASE CHECK WWW.MOLEX.COM FOR LATEST PART INFORMATION

Part Number: [36766-0001](#)
Status: **Active**
Overview: [MLX™ Power Connectors](#)
Description: 6.35mm Pitch MLX™ Power Connector Header, Vertical, with Plastic Polarizing Peg, 2 Circuits, Polyester 94V-2, Tin Plating, White (Translucent), Lead-Free

Documents:

[3D Model](#) [Product Specification PS-42022-0001 \(PDF\)](#)
[Drawing \(PDF\)](#) [RoHS Certificate of Compliance \(PDF\)](#)

General

Product Family	PCB Headers
Series	43255
Application	Board-to-Board, Power, Wire-to-Board
Overview	MLX™ Power Connectors
Product Name	MLX™
UPC	884982394933

Physical

Breakaway	No
Circuits (Loaded)	2
Circuits (maximum)	2
Color - Resin	Natural
Durability (mating cycles max)	50
First Mate / Last Break	No
Glow-Wire Compliant	No
Keying to Mating Part	Yes
Lock to Mating Part	Yes
Material - Metal	Phosphor Bronze
Material - Plating Mating	Tin
Material - Plating Termination	Tin
Material - Resin	Nylon
Net Weight	1.352/g
Number of Rows	1
Orientation	Vertical
PC Tail Length	4.30mm
PCB Locator	Yes
PCB Retention	Yes
PCB Thickness - Recommended	1.57mm
Packaging Type	Bag
Pitch - Mating Interface	6.35mm
Pitch - Termination Interface	6.35mm
Polarized to Mating Part	Yes
Polarized to PCB	Yes
Shrouded	Fully
Stackable	No
Surface Mount Compatible (SMC)	No
Temperature Range - Operating	-55°C to +105°C
Termination Interface: Style	Through Hole

Electrical

Current - Maximum per Contact	20A, 9A
Voltage - Maximum	600V

Solder Process Data

Lead-free Process Capability	Wave Capable (TH only)
------------------------------	------------------------

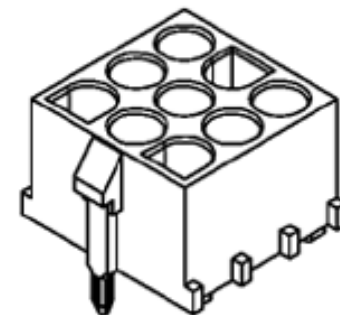


image - Reference only

Series

EU RoHS

ELV and RoHS Compliant

REACH SVHC

Not Reviewed

Low-Halogen Status

Low-Halogen

China RoHS



Need more information on product environmental compliance?

Email productcompliance@molex.com
 For a multiple part number RoHS Certificate of Compliance, [click here](#)

Please visit the [Contact Us](#) section for any non-product compliance questions.

Search Parts in this Series

[43255Series](#)

Mates With

[42021 MLX™ Power Crimp Housing Plug](#),
[42024 MLX Crimp Terminal](#)

Material Info

Reference - Drawing Numbers

Product Specification

Sales Drawing

PS-42022-0001

SDA-43255-00**

This document was generated on 06/27/2013

PLEASE CHECK WWW.MOLEX.COM FOR LATEST PART INFORMATION