

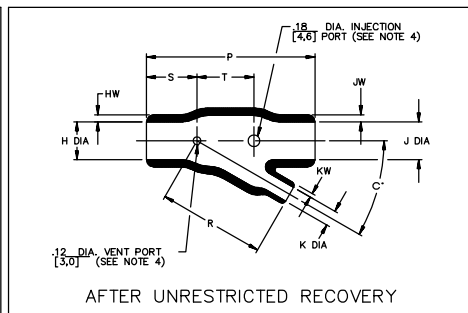
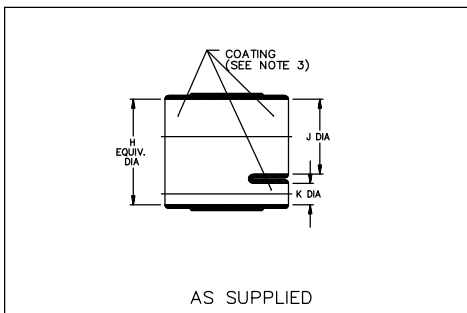
Molded Parts Specification Control Drawing

Part Number : 362A014 thru 114
Description : Transition, 30°, Side Breakout, Thinwall

NOTES

- All dimensions are in $\frac{\text{inches}}{\text{millimeters}}$
- Dimensions appearing in table are as follows:
 - a - As Supplied
 - b - After Unrestricted Recovery
- Coating is optional. As supplied dimensions appearing in table are for uncoated parts. When coating is added, entry diameters will be reduced by .06 max.
- Molding ports are optional. When -00 modification number is specified molding ports will be located as shown.

$\frac{\Delta}{5}$ /180 adhesive available only on 362A014.



PART NUMBER	H & J		K		P	R	S	T	HW	JW	KW	C'							
	Min	Max	Min	Max								±10%	±10%	±10%	±10%	±20%	±20%	±10%	±5%
	a	b	a	b								b	b	b	b	b	b	a	b
362A014	1.20 [30,5]	.62 [15,7]	.80 [20,0]	.42 [10,7]	3.25 [82,6]	2.00 [50,8]	1.25 [31,8]	.83 [21,1]	.10 [2,5]	.10 [2,5]	.07 [1,8]	10	30						
362A024	1.40 [35,6]	.72 [18,3]	.60 [15,2]	.34 [8,6]	2.50 [63,5]	1.62 [41,1]	.75 [19,1]	.88 [22,4]	.10 [2,5]	.10 [2,5]	.06 [1,5]	10	30						
362A114	1.40 [35,6]	.74 [18,8]	.40 [10,2]	.21 [5,3]	2.40 [61,0]	1.40 [35,6]	.75 [19,1]	.84 [21,3]	.11 [2,8]	.11 [2,8]	.06 [1,5]	10	30						

STE
TE Connectivity
307 CONSTITUTION DRIVE
MENLO PARK, CALIFORNIA 94025

Revision : J1
Date : 29MAR11

Part Number : 362A014 thru 114
Description : Transition, 30°, Side Breakout, Thinwall

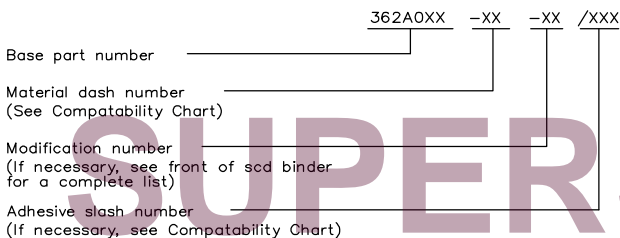
Molded Parts Specification Control Drawing

Part Number : 362A014 thru 114
Description : Transition, 30°, Side Breakout, Thinwall

MATERIAL DASH NO.	MATERIAL DESCRIPTION	RT SPEC	COATING SLASH NO.	COATING S NO.	COATING DESCRIPTION
-3	Polyolefin, Semi-rigid	RT-301	/42;/86	S-1017;S-1048	Adhesive
-4	Polyolefin, Flexible	RT-1304	/42;/86	S-1017;S-1048	Adhesive
-5	Elastomer, Flexible	RT-501	N/A		
-6	Silicone	RT-602	N/A		
-12	*VITON, Flexible	RT-1312	N/A		
-25	Elastomer, Fluid Resistant	RT-1325	/86;/225	S-1048;S-1206	Adhesive
-100	Polyolefin, ZERODAL™ Semi-flexible	RT-1323	/180 $\frac{\Delta}{5}$	S-1030	Adhesive

*VITON is a Registered Trademark of Dupont

ORDERING INFORMATION



THIS DRAWING IS SUBJECT TO CHANGE WITHOUT NOTICE; CONSULT YOUR NEAREST FIELD REPRESENTATIVE FOR CURRENT REVISION

SUPERSEDED
NOT the LATEST
REVISION

STE
TE Connectivity
307 CONSTITUTION DRIVE
MENLO PARK, CALIFORNIA 94025

Revision : J1
Date : 29MAR11

Part Number : 362A014 thru 114
Description : Transition, 30°, Side Breakout, Thinwall

CAD FILE MP01033