

36203 ✓ ACTIVE

PIDG

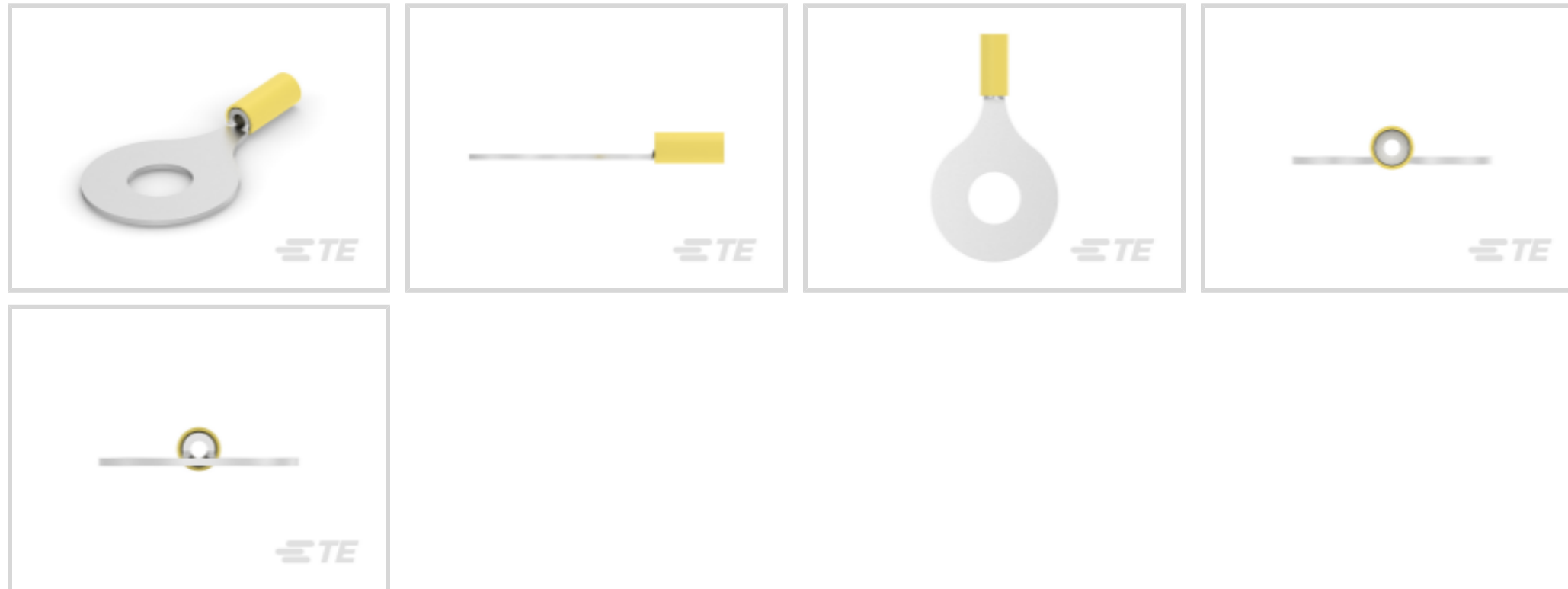
TE Internal #: 36203

Closed Ring Tongue Terminal, 16 - 14 AWG, 1/2 Stud Size, 13.08 mm [.515 in] Stud Diameter, Closed Barrel, Straight, Tin, Partially Insulated, PIDG

[View on TE.com >](#)



Terminals & Splices > Ring Terminals > PIDG Ring Tongue Terminals



Ring Terminal Product Type: Closed Ring Tongue Terminal

Wire Size: 2050 - 5180 CMA

Stud Size: 1/2

[All PIDG Ring Tongue Terminals \(411\)](#)

Features

Product Type Features

Terminal Features	Heavy Duty
Ring Terminal Product Type	Closed Ring Tongue Terminal
Stud Size	1/2
Sealable	No
Wire Insulation Support Retention Type	Insulation Support

Configuration Features

Number of Holes	1
-----------------	---

Body Features

Stripe Color	Black
Product Weight	12.088 g

Contact Features

Barrel Type	Closed
Terminal Orientation	Straight
Terminal Plating Material	Tin

Mechanical Attachment

Wire Insulation Support	With
-------------------------	------

Dimensions

Wire Size	2050 - 5180 CMA
Stud Diameter	13.08 mm[.515 in]
Tongue Thickness	1.22 mm[.05 in]
Product Length	56.36 mm[2.22 in]
Compatible Insulation Diameter (Max)	6.35 mm[.25 in]
Compatible Insulation Diameter Range	3.81 - 6.35 mm[.15 - .25 in]

Usage Conditions

Insulation Option	Partially Insulated
Operating Temperature Range	105 °C[221 °F]

Operation/Application

Compatible With Wire Base Material	Copper
Compatible With Wire Plating Material	Tin

Industry Standards

Government Qualified Terminal	No
-------------------------------	----

Packaging Features

Packaging Quantity	1
Packaging Method	Loose Piece

Product Compliance

[For compliance documentation, visit the product page on TE.com>](#)

EU RoHS Directive 2011/65/EU	Compliant
EU ELV Directive 2000/53/EC	Compliant
China RoHS 2 Directive MIIT Order No 32, 2016	No Restricted Materials Above Threshold
EU REACH Regulation (EC) No. 1907/2006	Current ECHA Candidate List: JAN 2024 (240) Candidate List Declared Against: JAN 2024 (240) Does not contain REACH SVHC
Halogen Content	Low Halogen - Br, Cl, F, I < 900 ppm per homogenous material. Also BFR/CFR/PVC Free

Solder Process Capability

Not applicable for solder process capability

Product Compliance Disclaimer

This information is provided based on reasonable inquiry of our suppliers and represents our current actual knowledge based on the information they provided. This information is subject to change. The part numbers that TE has identified as EU RoHS compliant have a maximum concentration of 0.1% by weight in homogenous materials for lead, hexavalent chromium, mercury, PBB, PBDE, DBP, BBP, DEHP, DIBP, and 0.01% for cadmium, or qualify for an exemption to these limits as defined in the Annexes of Directive 2011/65/EU (RoHS2). Finished electrical and electronic equipment products will be CE marked as required by Directive 2011/65/EU. Components may not be CE marked. Additionally, the part numbers that TE has identified as EU ELV compliant have a maximum concentration of 0.1% by weight in homogenous materials for lead, hexavalent chromium, and mercury, and 0.01% for cadmium, or qualify for an exemption to these limits as defined in the Annexes of Directive 2000/53/EC (ELV). Regarding the REACH Regulation, the information TE provides on SVHC in articles for this part number is based on the latest European Chemicals Agency (ECHA) 'Guidance on requirements for substances in articles' posted at this URL: <https://echa.europa.eu/guidance-documents/guidance-on-reach>

Compatible Parts



TE Part # 59824-1
TETRA-CRIMP PIDG PG FASTON 22-10 ASSY



TE Part # 58433-3
PRO CR ASSY, RBY IS9252



TE Part # 59239-4
HHHT PIDG PG 12-10 ASSY



TE Part # 58423-1
DIE, RBY IS9252




TE Part # 169404
CERTI-LOK DIE

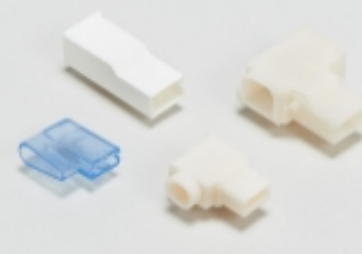


TE Part # 1SET191002R0000
TET CRIMP-HT

Also in the Series | PIDG




Compression Connectors(17)



Crimp Terminal Housings(1)



Crimp Wire Pins, Tabs & Ferrules(41)



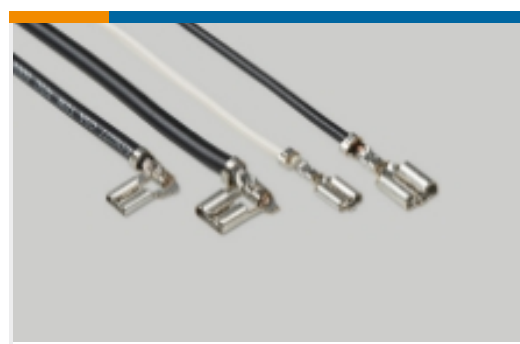
Hand Crimping Tools(2)



Knife Disconnects(11)



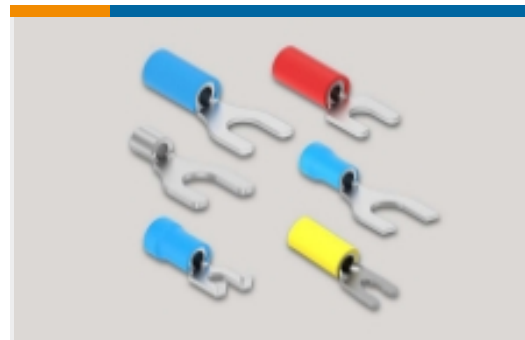
PCB Terminals(5)



Quick Disconnects(47)



Ring Terminals(589)



Spade Terminals(230)

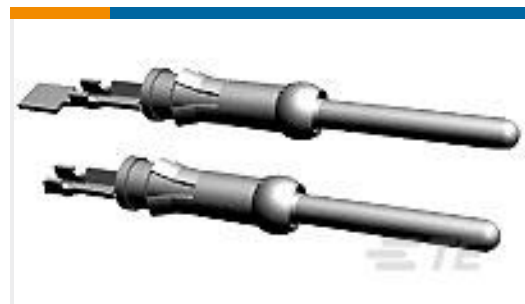


Special Purpose Terminals(1)



Splices(43)

Customers Also Bought



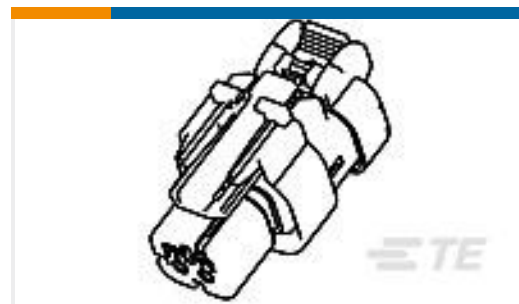
TE Part # 66602-2
III+ PIN,18-14,30AU/FL,LP



TE Part # 321045
TERMINAL,PIDG R 16-14 1/4



TE Part # 1-175217-3
DYNAMIC D-3 REC CONT. M AU 0.76 L/P



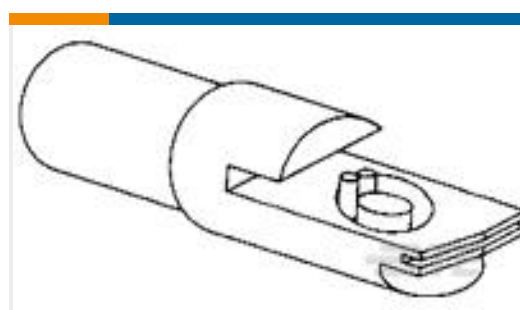
TE Part # 776429-3
AS 16, 3P PLUG ASSY, KEY 3 L/P



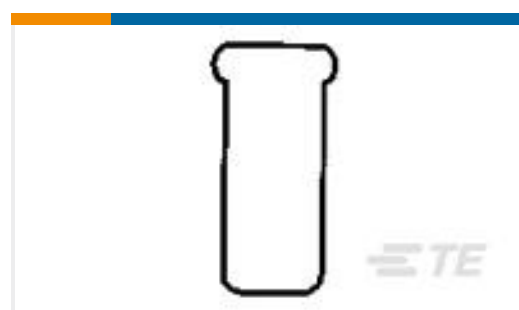
TE Part # 66741-2
TYPE XII FEMALE CONT (L.P.)



TE Part # 3-747579-4
SHLDNG FERRULE, PLTD, BULK PKG



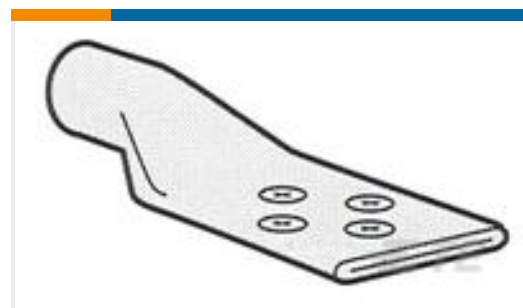
TE Part # 53434-1
AMPPOWER QUICK DISC 400MCM



TE Part # 328307
SPARE WIRE CAP,RED 22-18 AWG



TE Part # 403289-000
CWT-3



TE Part # 55831-2
TERM,AMPWR 500MCM HD (2)3/8

Documents



Product Drawings

[TERMINAL,PIDG R 16-14HD 1/2](#)

English

CAD Files

[3D PDF](#)

3D

Customer View Model

[ENG_CVM_CVM_36203_F.2d_dxf.zip](#)

English

Customer View Model

[ENG_CVM_CVM_36203_F.3d_igs.zip](#)

English

Customer View Model

[ENG_CVM_CVM_36203_F.3d_stp.zip](#)

English

By downloading the CAD file I accept and agree to the [Terms and Conditions](#) of use.

Agency Approvals

[UL Report](#)

English