

Data sheet

Type 360381

Page 1/3

P/N
360381

xx=number of poles

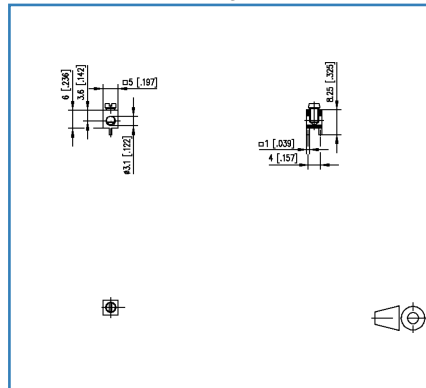
11/07/2018

Version: S

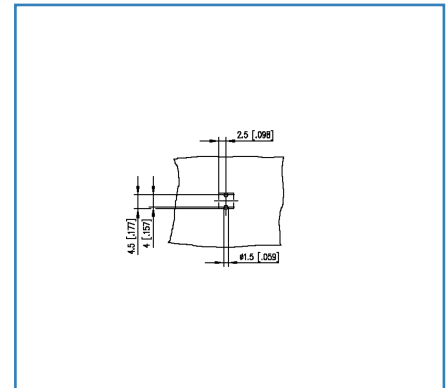
Illustrations



Dimensional drawing



Drill pattern



See enlarged drawings at the end of document

Product specification

- screw type terminal block, THR solderable, Doppell  tstifte
- direction of connection 90  
- color metallike
- Tape & Reel packaging
- open construction, screw brought down by hand (transport safety)

Technical Data

General Data

Tightening torque SEV	0.5 Nm
Tightening torque UL	4.4 lb-in
Solder pin length	2.25 mm
min. number of poles	1
max. number of poles	1

Connection Data

rat.wiring solid AWGmax	0.5 mm ² - 2.5 mm ² / AWG 30 - AWG 12
rat.wiring strand.AWGmax	0.5 mm ² - 2.5 mm ² / AWG 30 - AWG 12

Material

REACH - substance (SVHC)	Lead / 7439-92-1
--------------------------	------------------

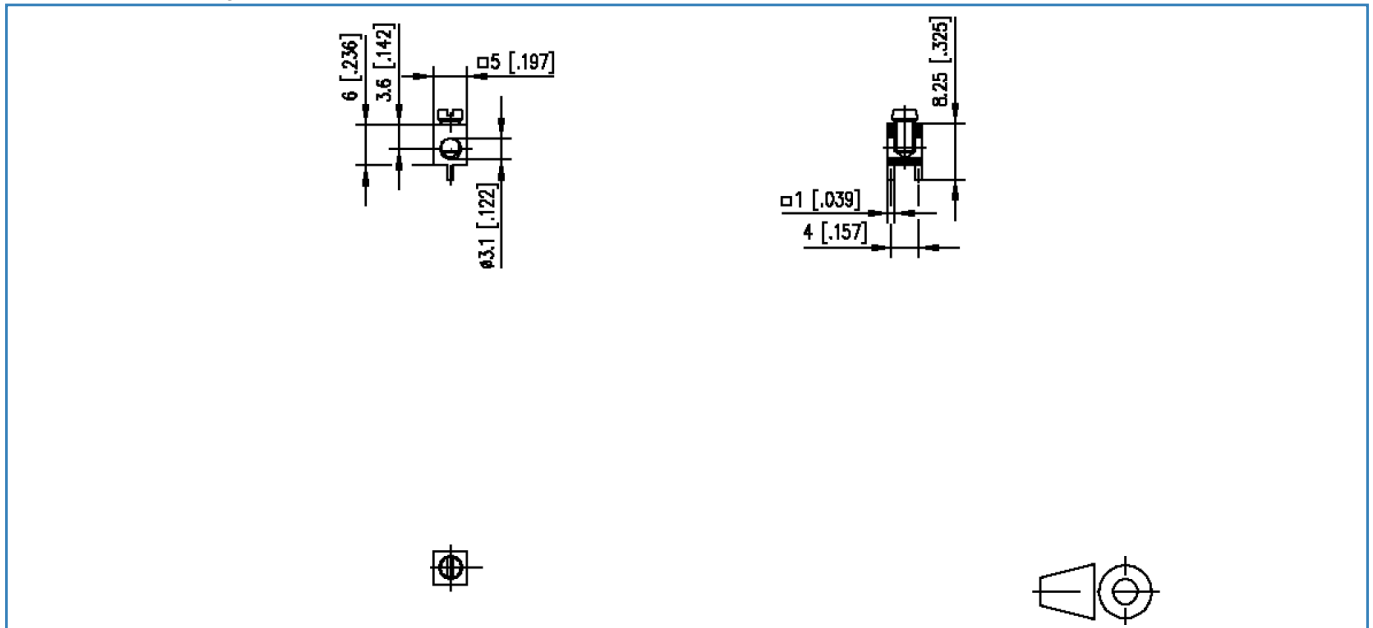
General

solderability	Acc. to IPC/JEDEC J-STD-020D-MSL 1
---------------	------------------------------------



Illustrations

Dimensional drawing



Drill pattern

