



# Series 800 Vertisockets™ Horizontal Mounting with Bifurcated Contacts

## FEATURES:

- Aries offers a full line of Vertisockets™ for DIP packaging of LEDs, incandescent lamps, DIP switches, test points, etc. The variations of mounting position and pin configuration provide exceptional design freedom.
- Restricted entry for contact protection.
- Accepts standard LEDs and incandescent displays as well as .500 [12.70] and .600 [15.24] high large displays.

## SPECIFICATIONS:

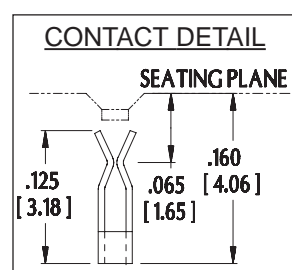
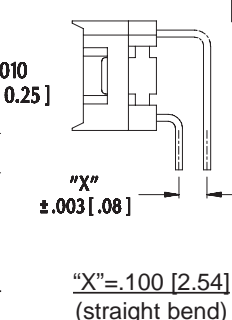
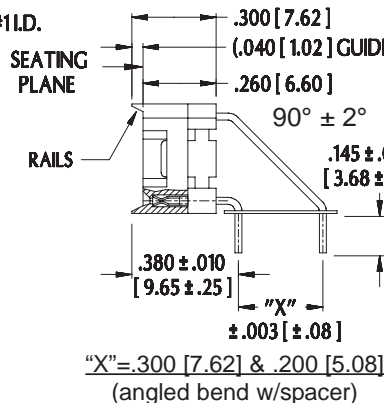
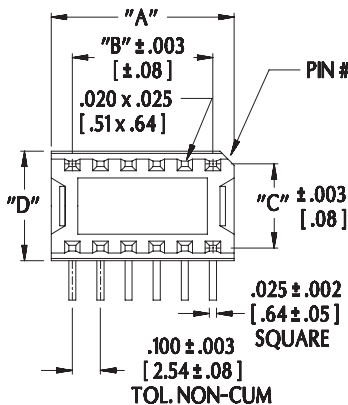
- Standard body material is black UL 94V-0 4/6 Nylon.
- Bifurcated contacts are Grade A spring-tempered Phosphor Bronze per QQ-B-750.
- Standard contact plating is 10μ [2.5μm] min. Gold per MIL-G-45204 over 50μ" min. Nickel per QQ-N-290.  
Plating Options:  
-T= 200μ" min Matte Tin per ASTM B545-97 over 50μ" min. Nickel per QQ-N-290.  
-TL= 200μ" min Bright 90/10 Tin/Lead per MIL-T-10727 Type 1 over 50μ" min. Nickel per QQ-N-290.
- Spacer = Fishpaper.
- Contact current rating=1.5 Amps.
- Operating temperature=221 °F [105°C] Tin & Tin/Lead plating, =257°F [125°C] Gold plating.
- Insertion Force=110 grams/pin average; Withdrawal Force=75 grams/pin average.
- Accepts flat leads up to .014 [.36] thick and .020 [.51] wide; round leads up to .020 [.51] in diameter.
- Accepts lead lengths: .075-.160 [1.91-4.06].

## MOUNTING CONSIDERATIONS:

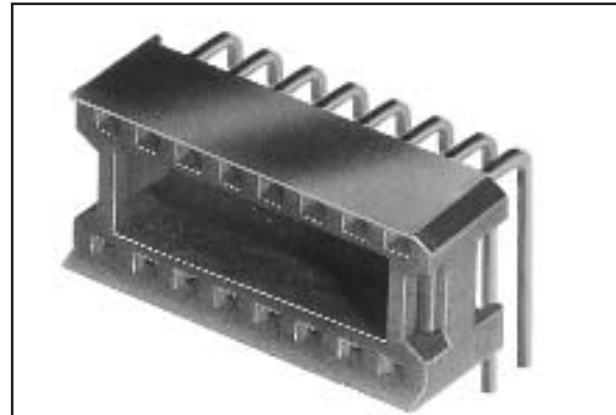
- Suggested PCB hole size=.044 ± .002 [1.12 ± .05] dia.

"A"=(NO. OF PINS PER ROW X .100 [2.54]) + .050 [1.27]

"B"=(NO. OF PINS PER ROW - 1) X .100 [2.54]



All tolerances ± .005 [.13] unless otherwise specified



Note: Aries specializes in custom design and production. In addition to the standard products shown on this page, special materials, platings, sizes, and configurations can be furnished, depending on quantities. Aries reserves the right to change product specifications without notice.

## ORDERING INFORMATION

XX-X82X-90XXXX

No. of pins (see table)  
 Series:  
 282: "C"=.200 [5.08]  
 82: "C"=.300 [7.62]  
 682: "C"=.600 [15.24]  
 0: "X"=.100 [2.54]  
 2: "X"=.200 [5.08]  
 3: "X"=.300 [7.62]

Optional suffix:  
 WR=Without rails  
 T=Tin plating  
 TL=Tin/Lead plating  
 No suffix=Gold plating

Display angle

Centers "C"	Dim. "D"	Dim. "X"	Available Sizes
.200 [5.08]	.290 [7.37]	.100 [2.54]	8, 10
		.200 [5.08]	
		.300 [7.62]	
.300 [7.62]	.390 [9.91]	.100 [2.54]	8, 14 thru 20
		.200 [5.08]	
		.300 [7.62]	
.600 [15.24]	.690 [17.53]	.100 [2.54]	8 thru 40, 48
		.200 [5.08]	
		.300 [7.62]	

ALL DIMENSIONS: INCHES [MILLIMETERS]

Consult factory for sizes not shown and other display angles

Consult Data Sheet No. 13002 for Vertical Mounting Vertisockets™ with bifurcated contacts.



Frenchtown, NJ USA  
 TEL: (908) 996-6841  
 FAX: (908) 996-3891



13001 REV.D