

Electronics Mounting Pliers

- > Precision pliers for very fine assembly and repair work in electronics
- > For bending and cutting off wire ends on components
- > Sturdy, zero backlash box joint
- > Smooth ground gripping surfaces
- > Edges carefully deburred
- > Low-friction double spring for gentle and even opening
- > The mirror polish together with a fine film of oil offer effective rust protection – no circuit faults caused by peeling chrome from plated tools
- > Ball bearing chrome steel, oil-hardened



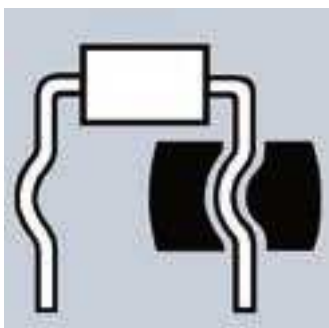
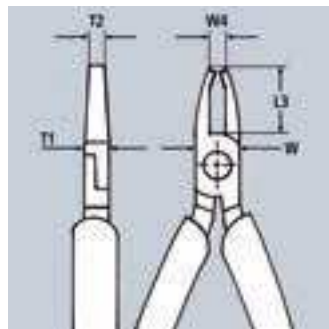
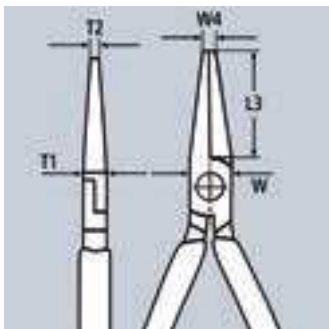
36 12 130



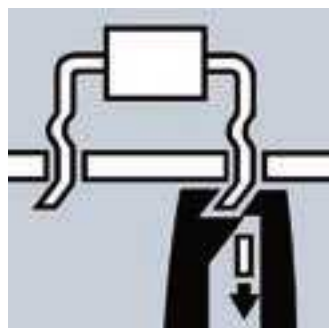
36 22 125



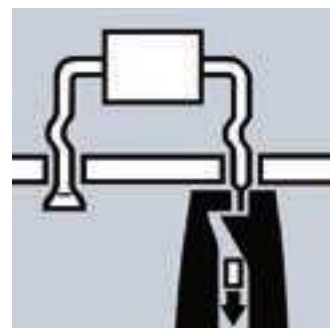
36 32 125



To bend wire in shape for the distance to the board



To bend and cut wire at 1.6 mm length below the board



To crunch and cut wire at 1.6 mm length below the board

Article No.	EAN 4003773-	↔ mm		Head	Handles	Cutting capacities ☉ Ø mm	Dimensions					⚖ g
							L3 mm	W mm	T1 mm	W1 mm	T2 mm	
36 12 130	016861	130	☹	mirror polished	with multi-component grips		18.0	11.0	7.0	5.5	4.0	70
36 22 125	046967	125	☹	mirror polished	with multi-component grips	1.2	18.0	11.0	7.0	7.5	4.0	94
36 32 125	016885	125	☹	mirror polished	with multi-component grips	1.0	18.0	11.0	7.0	7.5	3.0	108