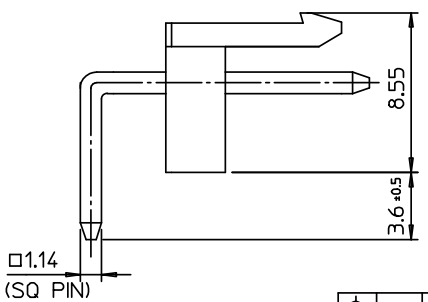
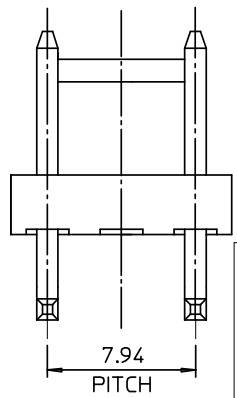
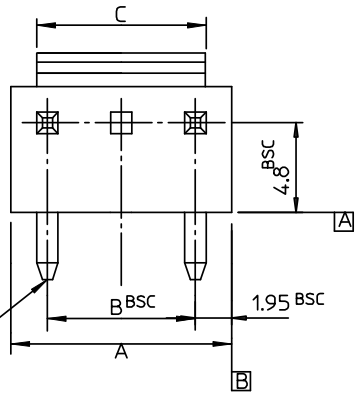


⊕ 0.6 A B



⊕ 0.6 A B

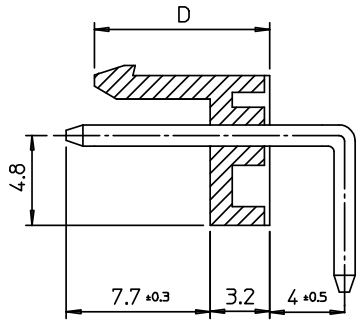


NOTES

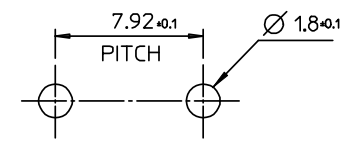
- MATERIAL : HEADER - PA66, PBT/PC
PIN : BRASS(CDA 2700)
- FINISHES : PIN
THICKNESS - TIN PLATED 3.0 MICROMETER MIN.
OVER Cu 1.5 MICROMETER MIN.
- PRODUCT SPECIFICATION : PS-35979-002

LEGEND

- 35979-****
- COLOR : 0 - WHITE
1 - BLACK
2 - RED
3 - YELLOW
4 - BLUE
 - PIN TYPE : RIGHT ANGLE MATERIAL : 2 : PA66 5 : PBT/PC
 - CIRCUIT NO. (02,03,04...)



SECTION A-A



P.C. BOARD LAYOUT (t=1.6)

| | | | | | | | |
|-----|-------|-------|-------|-----------|------------|-----|----|
| 9.4 | 56.50 | 55.44 | 59.40 | 3597908** | 35979-08** | 8 | 15 |
| | 48.58 | 47.52 | 51.48 | 3597907** | 35979-07** | 7 | 13 |
| | 40.66 | 39.60 | 43.56 | 3597906** | 35979-06** | 6 | 11 |
| 9.7 | 32.74 | 31.68 | 35.64 | 3597905** | 35979-05** | 5 | 9 |
| | 24.82 | 23.76 | 27.72 | 3597904** | 35979-04** | 4 | 7 |
| | 16.90 | 15.84 | 19.80 | 3597903** | 35979-03** | 3 | 5 |
| D | C | B | A | MAT'L NO | ENG NO. | CKT | N |

REVISED
EC NO: KOR2008-0143
DRWN: JHPARK01 2008/02/26
CHKD: WY. YANG 2008/02/26
APPR: YUNS.IKK.M 2008/02/27

QUALITY SYMBOLS
▽=0
∇=0

GENERAL TOLERANCES (UNLESS SPECIFIED)

| | | |
|---------------|-------|-------|
| | mm | INCH |
| 4 PLACES | ± --- | ± --- |
| 3 PLACES | ± --- | ± --- |
| 2 PLACES | ± --- | ± --- |
| 1 PLACE | ± 0.2 | ± --- |
| ANGULAR ± 2 ° | | |

DRAFT WHERE APPLICABLE
MUST REMAIN
WITHIN DIMENSIONS

DIMENSION STYLE
MM ONLY

DRAWN BY: YR. WI
DATE: 1999/05/07

CHECKED BY: JK. OH
DATE: 1999/05/07

APPROVED BY: CW. LEE
DATE: 1999/05/07

MATERIAL NO.
SEE TABLE

SCALE: 3.5:1
DESIGN UNITS: METRIC
THIRD ANGLE PROJECTION

TITLE: 7.92 PITCH W-T-B CONN. HEADER ASSY(R/A)

molex MOLEX INCORPORATED

DOCUMENT NO. SD-35979-002
SHEET NO. 1 OF 01

THIS DRAWING CONTAINS INFORMATION THAT IS PROPRIETARY TO MOLEX INCORPORATED AND SHOULD NOT BE USED WITHOUT WRITTEN PERMISSION