

PLEASE CHECK WWW.MOLEX.COM FOR LATEST PART INFORMATION

Part Number: [35965-0220](#)
Status: **Active**
Description: 1.78mm Tab Multiple Wire-to-Wire Female Housing, 2 Circuits, Vertical, Type C

Documents:

3D Model	Packaging Specification PK-35965-001 (PDF)
Drawing (PDF)	RoHS Certificate of Compliance (PDF)
Product Specification PS-35180-002 (PDF)	

Agency Certification

UL	E29179
----	--------

General

Product Family	Crimp Housings
Series	35965
Application	Power, Wire-to-Wire
Product Name	N/A
UPC	756054284926

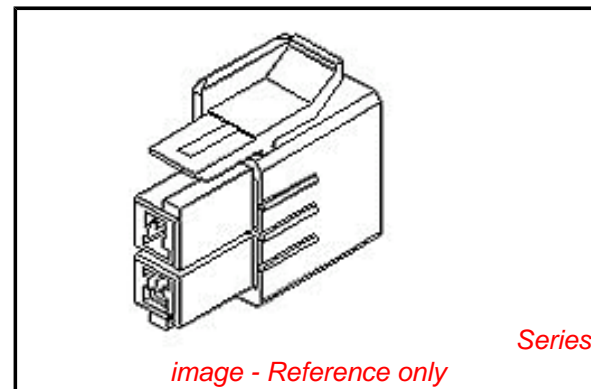
Physical

Circuits (maximum)	2
Gender	Female
Glow-Wire Compliant	No
Net Weight	1.790/g
Number of Rows	2
Packaging Type	Bag
Panel Mount	No
Pitch - Mating Interface	8.00mm
Stackable	No
Temperature Range - Operating	-40°C to +120°C

Material Info

Reference - Drawing Numbers

Packaging Specification	PK-35965-001
Product Specification	PS-35180-002
Sales Drawing	SD-35965-001



EU RoHS

ELV and RoHS Compliant
REACH SVHC
 Not Reviewed
Low-Halogen Status
Not Low-Halogen

China RoHS



Need more information on product environmental compliance?

Email productcompliance@molex.com
 For a multiple part number RoHS Certificate of Compliance, [click here](#)

Please visit the [Contact Us](#) section for any non-product compliance questions.

Search Parts in this Series

35965Series

Mates With

35180

Use With

35746

PLEASE CHECK WWW.MOLEX.COM FOR LATEST PART INFORMATION