

PLEASE CHECK WWW.MOLEX.COM FOR LATEST PART INFORMATION

Part Number: [35961-0250](#)
Status: **Active**
Description: 6.00mm Pitch MP-Lock™ Housing, 2 Circuits, for 4.75mm Tab, with Polarization

Documents:

[3D Model](#) [Packaging Specification PK-35961-001 \(PDF\)](#)
[Drawing \(PDF\)](#) [RoHS Certificate of Compliance \(PDF\)](#)

Agency Certification

CSA LR95446
 UL E29179

General

Product Family Crimp Housings
 Series [35961](#)
 Application Power
 Product Name MP-Lock™

Physical

Breakaway No
 Circuits (maximum) 2
 Flammability 94V-0
 Gender Female
 Glow-Wire Compliant No
 Number of Rows 2
 Packaging Type Bag
 Panel Mount No
 Pitch - Mating Interface 6.00mm
 Stackable No
 Temperature Range - Operating -40°C to +105°C

Material Info

Reference - Drawing Numbers

Packaging Specification PK-35961-001
 Sales Drawing SD-35961-004

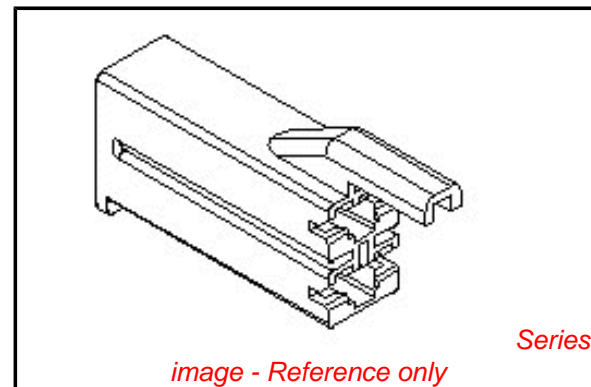


image - Reference only

EU RoHS

**ELV and RoHS
 Compliant
 REACH SVHC
 Contains SVHC: No
 Low-Halogen Status
 Low-Halogen**

China RoHS



**Need more information on product
 environmental compliance?**

Email productcompliance@molex.com
 For a multiple part number RoHS Certificate of
 Compliance, [click here](#)

Please visit the [Contact Us](#) section for any
 non-product compliance questions.

Search Parts in this Series

[35961Series](#)

Mates With

Appliance Motor|Appliance Capacitor

Use With

[35068](#) Female Terminal

PLEASE CHECK WWW.MOLEX.COM FOR LATEST PART INFORMATION