

DO NOT SCALE DRAWING DIMENSION IN METRIC

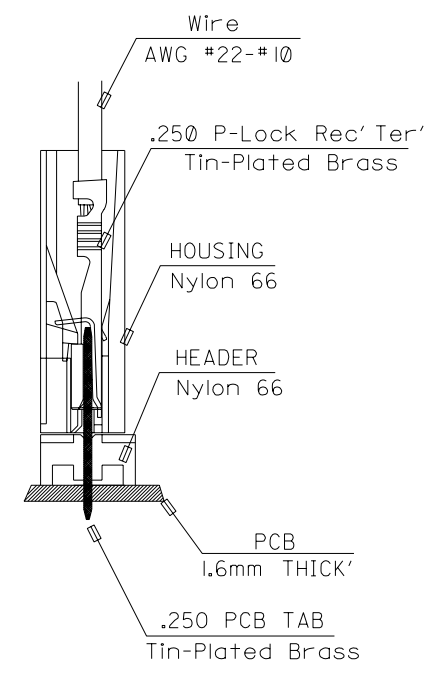
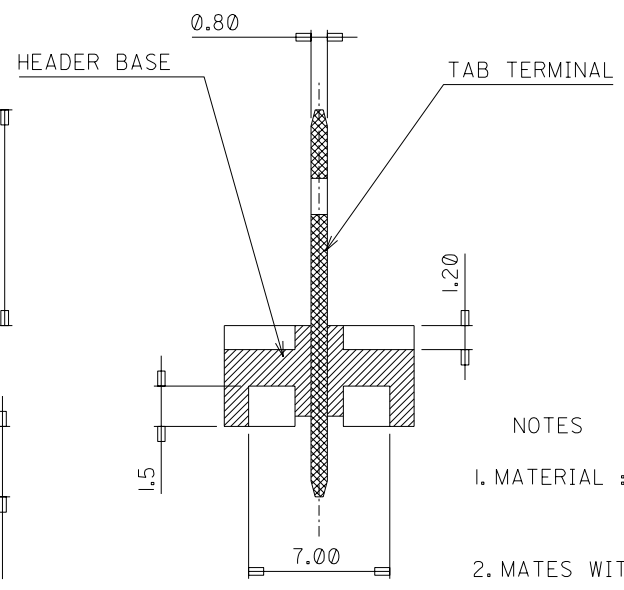
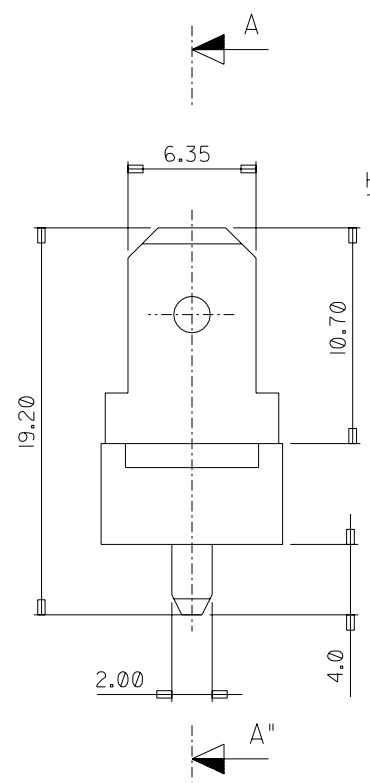
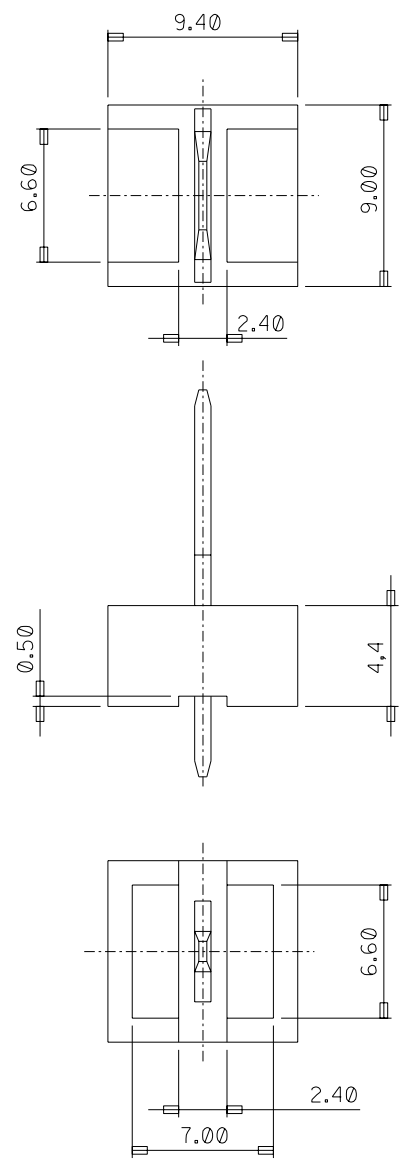
DWG. NO.

SIMILAR ITEM

PROJECT NO.

C

B



ASS'Y PART

NOTES

- MATERIAL : HEADER HOUSING: NYLON(PA), UL94V-2  
COLOR: NATURAL  
TAB TERMINAL : TIN PLATED BRASS
- MATES WITH : 35196-011\*

ENGINEERING NO.	MATERIAL NO.
35960-0100	359600100

REVISED EC NO. KOR2003-0188 DRWN: W.Y. YANG 03/01/16 CHK: CHK: APPR:	DESCRIPTION	QUALITY SYMBOLS	MAJOR = 0	CRITICAL = 0	GENERAL TOLERANCES: (UNLESS SPECIFIED)	SCALE 4:1	DESIGN UNITS <input checked="" type="checkbox"/> mm <input type="checkbox"/> INCH	DIMENSIONS: <input type="checkbox"/> mm <input type="checkbox"/> INCH <input checked="" type="checkbox"/> mm ONLY	SHT	REV	
		4 PLACES	±0.	±.		mm	INCH	mm	INCH		
A1	REV	3 PLACES	±0.	±.	mm	INCH	mm	INCH			
		2 PLACES	±0.3	±.	mm	INCH	mm	INCH			
		1 PLACE	±0.3	±.	mm	INCH	mm	INCH			
ANGULAR: ± °					DRAWN BY & DATE W.Y. YANG 98/04/10		TITLE: .250 W/B HEADER-IP				
DRAFT WHERE APPLICABLE MUST REMAIN WITHIN DIMENSIONS					CHECKED BY & DATE B.K. CHOI 98/04/10		MOLEX INCORPORATED KOREA				
					APPROVED BY & DATE C.W. LEE 98/04/10		MATERIAL NO. SEE CHART		DRAWING NO. SD-35960-010		SHEET NO. 1 OF 1
					THIS DRAWING CONTAINS INFORMATION THAT IS PROPRIETARY TO MOLEX INCORPORATED AND SHOULD NOT BE USED WITHOUT WRITTEN PERMISSION.						SIZE B