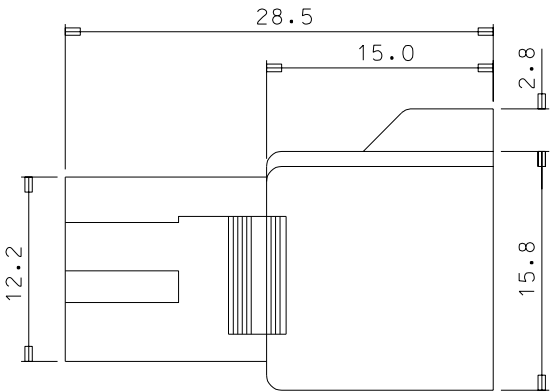
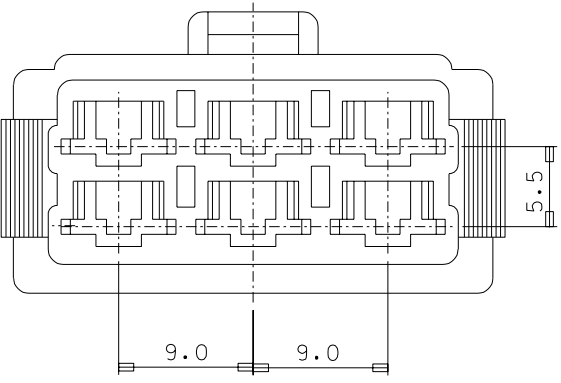
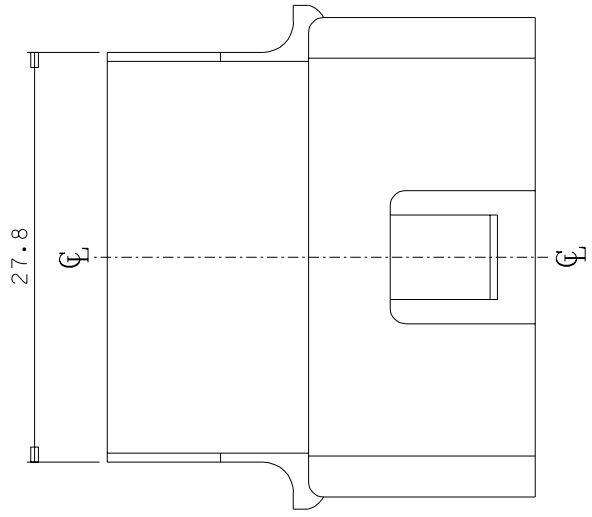
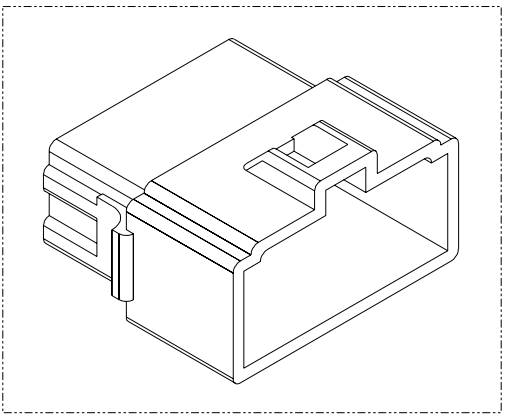


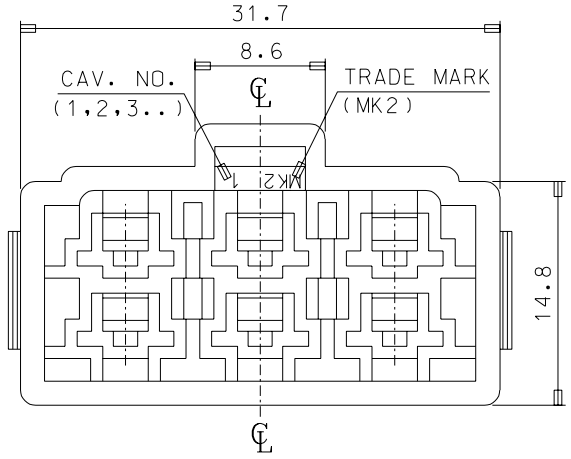
DO NOT SCALE DRAWING  
DIMENSION IN METRIC

PROJECT NO.  
SIMILAR ITEM  
DWG. NO.  
SD-35955-961



NOTES

1. MATERIAL : POLYAMIDE66,UL94V-2
2. COLOR : NATURAL
3. MATING HOUSING : .250 PLUG HOUSING-6P  
35955-9620
4. APPLICABLE TERMINAL : 35725-18\*0  
35725-19\*0  
35725-30\*0



NEW RELEASED EC NO. KDR2004-0111 DRWN: C.B.CHIN 04/02/26 CHK: W.Y.YANG APPR: C.W.LEE	QUALITY SYMBOLS MAJOR CRITICAL	GENERAL TOLERANCES: (UNLESS SPECIFIED)		SCALE 3:1	DESIGN UNITS <input checked="" type="checkbox"/> mm <input type="checkbox"/> INCH	THIRD ANGLE PROJECTION	DIMENSIONS: <input type="checkbox"/> mm <input type="checkbox"/> INCH <input checked="" type="checkbox"/> mm ONLY	SHT	REV
		4 PLACES	±0.	±.	DRAWN BY & DATE J.S.KANG 95/8/31	TITLE: .250 RECEPTACLE HOUSING-6P 'B'-TYPE			
A	DESCRIPTION REV	3 PLACES	±0.	±.	CHECKED BY & DATE B.K.CHOI 95/8/31	MOLEX INCORPORATED			
		2 PLACES	±0.	±.	APPROVED BY & DATE C.W.LEE 95/8/31				
		1 PLACE	±0.3	±.	CAD FILENAME s9559610.dgn	MATERIAL NO. 359559610	DRAWING NO. SD-35955-961	SHEET NO. 1 of 1	SIZE B
DRAFT WHERE APPLICABLE MUST REMAIN WITHIN DIMENSIONS					THIS DRAWING CONTAINS INFORMATION THAT IS PROPRIETARY TO MOLEX INCORPORATED AND SHOULD NOT BE USED WITHOUT WRITTEN PERMISSION.				