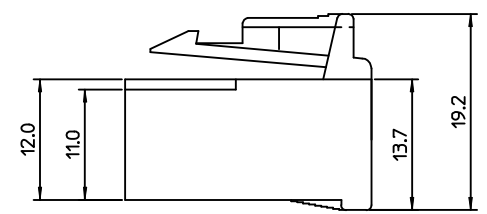
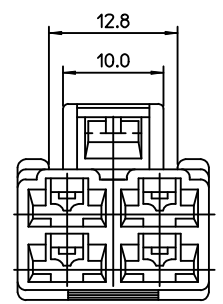
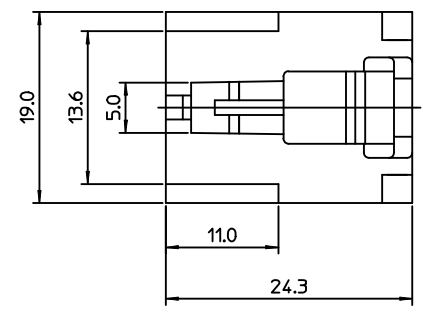


1. MATERIAL & COLOR

MATERIAL NO.	ENG NO.	MATERIAL	COLOR
359550420	35955-0420	PA66(UL94V-2)	NATURAL
APPLICABLE TERMINAL			
35725-36*0	35725-37*0	35725-38*0	

2. MATED HSG & APPLICABLE TERMINAL

MATERIAL NO.	ENG NO.	MATERIAL	COLOR
359550410	35955-0410	PA66(UL94V-2)	NATURAL
APPLICABLE TERMINAL			
35725-18*0	35725-19*0	35725-30*0	



REVISED EC NO: KOR2009-0054 DRWN: JHPARK01 2008/10/27 CH'K'D: WY. YANG 2008/10/27 APPR: YUNS IKKIM 2008/10/27	QUALITY SYMBOLS	GENERAL TOLERANCES (UNLESS SPECIFIED) 4 PLACES ± --- ± --- 3 PLACES ± --- ± --- 2 PLACES ± 0.30 ± --- 1 PLACE ± 0.30 ± --- ANGULAR ± 1°	DIMENSION STYLE	SCALE	DESIGN UNITS	THIRD ANGLE PROJECTION .250 PLUG HSG-4P
	▽=0 ∇=0		MM ONLY	3:1	METRIC	
	DRAFT WHERE APPLICABLE MUST REMAIN WITHIN DIMENSIONS		DRAWN BY JS. KANG DATE 1999/08/16	CHECKED BY BK. CHOI DATE 1999/08/16	TITLE MOLEX INCORPORATED	
	SEE TABLE		APPROVED BY CW. LEE DATE 1999/08/16	MATERIAL NO. SD-35955-0420	DOCUMENT NO. SD-35955-0420	
REV D	DESCRIPTION	SIZE A3	THIS DRAWING CONTAINS INFORMATION THAT IS PROPRIETARY TO MOLEX INCORPORATED AND SHOULD NOT BE USED WITHOUT WRITTEN PERMISSION			