

**PLEASE CHECK WWW.MOLEX.COM FOR LATEST PART INFORMATION**

**Part Number:** [35955-0150](#)  
**Status:** **Active**  
**Description:** 6.35mm Tab Wire-to-Wire Plug Housing, 1 Circuit, Locking Window

**Documents:**

[3D Model](#) [Packaging Specification PK-35955-001 \(PDF\)](#)  
[Drawing \(PDF\)](#) [RoHS Certificate of Compliance \(PDF\)](#)

**General**

Product Family	Crimp Housings
Series	<a href="#">35955</a>
Application	Power, Wire-to-Wire
Product Name	N/A
UPC	756054283943

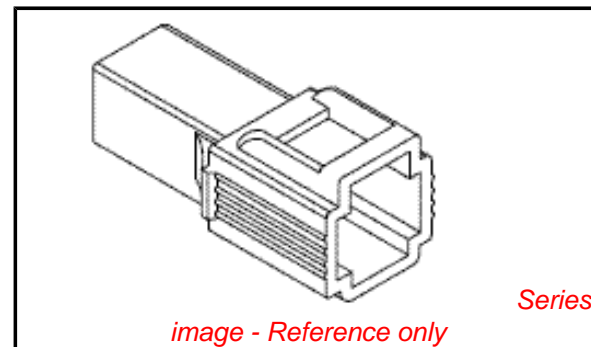
**Physical**

Circuits (maximum)	1
Color - Resin	Natural
Gender	Male
Glow-Wire Compliant	No
Lock to Mating Part	Yes
Material - Resin	Polyester Alloy
Net Weight	1.846/g
Number of Rows	1
Packaging Type	Bag
Panel Mount	No
Pitch - Mating Interface	N/A
Pitch - Termination Interface	N/A
Polarized to Mating Part	Yes
Stackable	No
Temperature Range - Operating	-40°C to +120°C

**Material Info**

**Reference - Drawing Numbers**

Packaging Specification	PK-35955-001
Sales Drawing	SD-35955-0110



**EU RoHS**

**ELV and RoHS  
Compliant**  
**REACH SVHC  
Contains SVHC: No  
Low-Halogen Status  
Not Low-Halogen**

**China RoHS**



**Need more information on product  
environmental compliance?**

Email [productcompliance@molex.com](mailto:productcompliance@molex.com)  
For a multiple part number RoHS Certificate of Compliance, [click here](#)

Please visit the [Contact Us](#) section for any non-product compliance questions.

**Search Parts in this Series**

[35955Series](#)

**Mates With**

[359550160](#)

**Use With**

[3572518\\*0|3572519\\*0|3572530\\*0](#)