

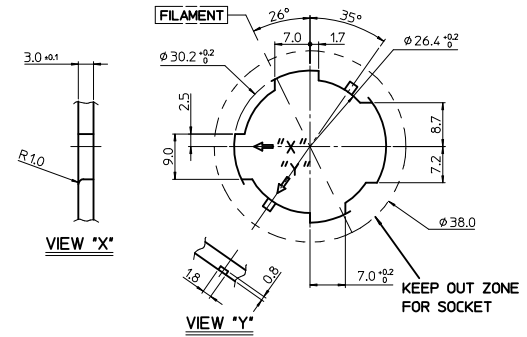
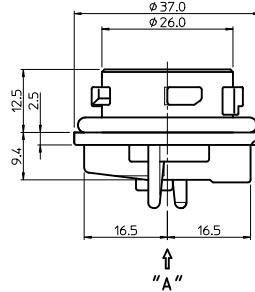
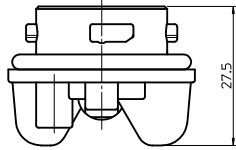
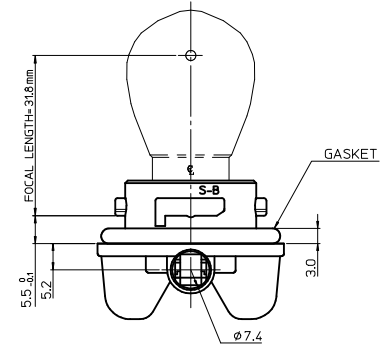
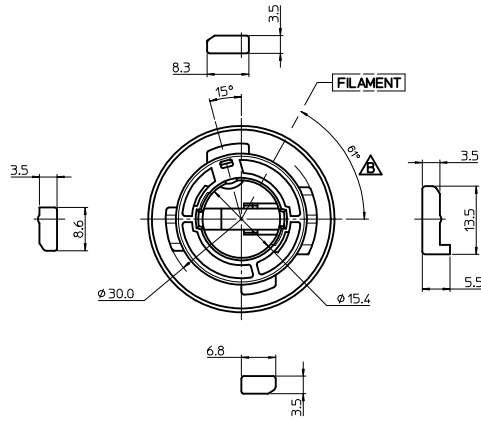
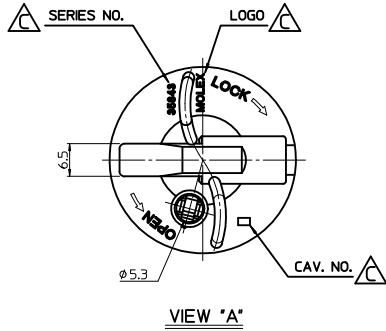
NOTES

1. FOCAL LENGTH = 31.8mm
2. PRODUCT SPECIFICATION: PS-35842-001
3. APPLICABLE BULB CAP: P21W(BA15s)
4. MATES WITH

NO.	DESCRIPTION	MATERIAL	ORDER NO.	REMARK
③	POSITIVE TERMINAL	PHOSPHOR BRONZE	35464-8000	UNPLATED
④	POSITIVE WIRE SEAL	SILICONE	35903-0096	BROWN
⑤	EARTH TERMINAL	PHOSPHOR BRONZE	35465-8000	UNPLATED
⑥	EARTH WIRE SEAL	SILICONE	35903-0106	BLUE

<PART LIST>

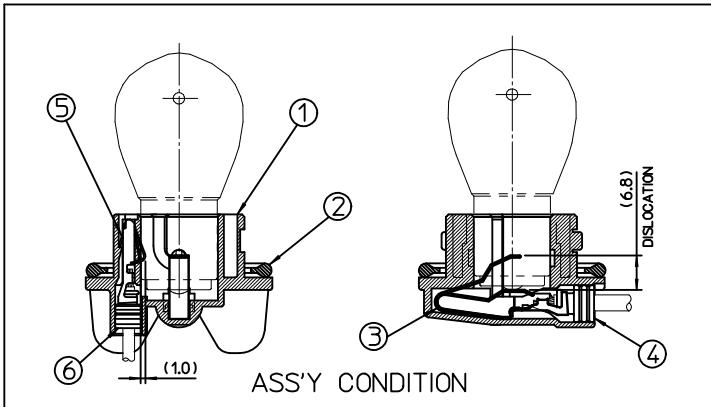
NO.	DESCRIPTION	MATERIAL	USAGE	REMARK
①	SINGLE SOCKET	PA66 M/F	1	B TYPE
②	SEAL GASKET	SILICONE	1	BLUE



MOUNTING INTERFACE (MI-2)

<TABLE 1>

MATERIAL NO.	ORDER NO.	COLOR
358432216	35843-2216	WHITE
358432215	35843-2215	GRAY



REV	DESCRIPTION
C1	REVISED, ADDED PART

QUALITY SYMBOLS	GENERAL TOLERANCES (UNLESS SPECIFIED)
▽=0	mm INCH
∇=0	4 PLACES ± --- ± ---
	3 PLACES ± --- ± ---
	2 PLACES ± 0.15 ± ---
	1 PLACE ± 0.25 ± ---
	ANGULAR ± 2 °

DIMENSION STYLE		SCALE	DESIGN UNITS	THIRD ANGLE PROJECTION
MM ONLY		1:1	METRIC	☉ □
DRAWN BY	DATE	TITLE		
EOKIM	2008/12/31	SEALED BULB SOCKET		
CHECKED BY	DATE	SINGLE HSG ASS'Y-B TYPE		
BCYOON	2008/12/31	(SILICONE GASKET TYPE)		
APPROVED BY	DATE	MOLEX INCORPORATED		
EHJUNG	2008/12/31	MATERIAL NO. DOCUMENT NO. SHEET NO.		
SEE TABLE 1		SD-35843-221		1 OF 1

DRAFT WHERE APPLICABLE MUST REMAIN WITHIN DIMENSIONS		THIS DRAWING CONTAINS INFORMATION THAT IS PROPRIETARY TO MOLEX INCORPORATED AND SHOULD NOT BE USED WITHOUT WRITTEN PERMISSION	
SIZE	A3		