

PLEASE CHECK WWW.MOLEX.COM FOR LATEST PART INFORMATION

Part Number: [35843-1247](#)
Status: **Active**
Description: PT Bulb Socket, Sealed, Single Housing Assembly, Type D, Brown

Documents:

[3D Model](#) [Packaging Specification PK-35843-001 \(PDF\)](#)
[Drawing \(PDF\)](#) [RoHS Certificate of Compliance \(PDF\)](#)
[Product Specification PS-35842-001 \(PDF\)](#)

General

Product Family	Other Sockets
Series	35843
Comments	D-Type
Component Type	Socket
Product Name	Bulb Socket
UPC	756054270103

Physical

Circuits (Loaded)	2
Circuits (maximum)	2
Color - Resin	Brown
Durability (mating cycles max)	30
Entry Angle	Vertical
Keying to Mating Part	None
Material - Metal	Phosphor Bronze
Material - Resin	Nylon
Net Weight	10.000/g
PCB Locator	No
PCB Retention	N/A
Packaging Type	Bag
Pitch - Mating Interface	N/A
Temperature Range - Operating	-40°C to +105°C
Termination Interface: Style	Through Hole

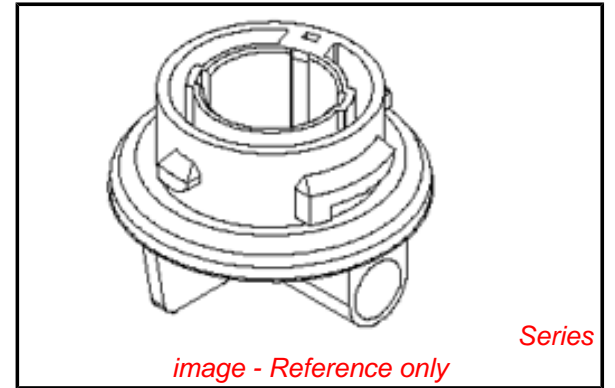
Electrical

Current - Maximum per Contact	5A, 7A
Voltage - Maximum	12V

Material Info

Reference - Drawing Numbers

Packaging Specification	PK-35843-001
Product Specification	PS-35842-001
Sales Drawing	SD-35843-004



EU RoHS

**ELV and RoHS
Compliant**
REACH SVHC
 Not Reviewed
Low-Halogen Status
Low-Halogen

China RoHS



**Need more information on product
environmental compliance?**

Email productcompliance@molex.com
 For a multiple part number RoHS Certificate of Compliance, [click here](#)

Please visit the [Contact Us](#) section for any non-product compliance questions.

Search Parts in this Series

[35843Series](#)

Mates With

Lamp

Use With

[35464](#) Positive Terminal for PT Bulb Socket,
[35465](#) Earth Terminal for PT Bulb Socket