

**PLEASE CHECK WWW.MOLEX.COM FOR LATEST PART INFORMATION**

**Part Number:** [35843-1217](#)  
**Status:** **Active**  
**Description:** PT Bulb Socket, Sealed, Single Housing Assembly, Type B, Brown

**Documents:**

[3D Model](#) [Packaging Specification PK-35843-001 \(PDF\)](#)  
[Drawing \(PDF\)](#) [RoHS Certificate of Compliance \(PDF\)](#)  
[Product Specification PS-35842-001 \(PDF\)](#)

**General**

Product Family	Other Sockets
Series	<a href="#">35843</a>
Comments	B-Type
Component Type	Socket
Product Name	Bulb Socket
UPC	756054269923

**Physical**

Circuits (Loaded)	2
Circuits (maximum)	2
Color - Resin	Brown
Durability (mating cycles max)	30
Entry Angle	Vertical
Keying to Mating Part	None
Material - Metal	Phosphor Bronze
Material - Resin	Nylon
Net Weight	10.538/g
PCB Locator	No
PCB Retention	N/A
Packaging Type	Bag
Pitch - Mating Interface	N/A
Temperature Range - Operating	-40°C to +105°C
Termination Interface: Style	Through Hole

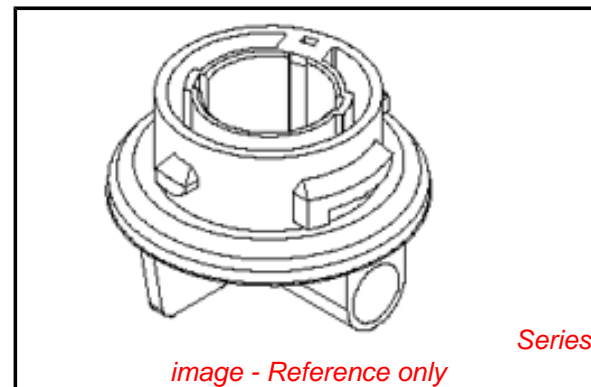
**Electrical**

Current - Maximum per Contact	5A, 7A
Voltage - Maximum	12V

**Material Info**

**Reference - Drawing Numbers**

Packaging Specification	PK-35843-001
Product Specification	PS-35842-001
Sales Drawing	SD-35843-002



**EU RoHS**

**ELV and RoHS  
Compliant**

**REACH SVHC**

Not Reviewed

**Low-Halogen Status**

**Low-Halogen**

**China RoHS**



**Need more information on product  
environmental compliance?**

Email [productcompliance@molex.com](mailto:productcompliance@molex.com)  
For a multiple part number RoHS Certificate of Compliance, [click here](#)

Please visit the [Contact Us](#) section for any non-product compliance questions.

**Search Parts in this Series**

[35843Series](#)

**Mates With**

Lamp

**Use With**

[35464](#) Positive Terminal for PT Bulb Socket,  
[35465](#) Earth Terminal for PT Bulb Socket