

PLEASE CHECK WWW.MOLEX.COM FOR LATEST PART INFORMATION

Part Number: [35842-2301](#)
Status: **Active**
Description: PT Bulb Socket, Sealed, Double Housing Assembly, Type A, Black

Documents:

[3D Model](#) [Product Specification PS-35842-001 \(PDF\)](#)
[Drawing \(PDF\)](#) [RoHS Certificate of Compliance \(PDF\)](#)

General

Product Family	Other Sockets
Series	35842
Comments	A-Type
Component Type	Socket
Product Name	Bulb Socket
UPC	800756752815

Physical

Circuits (Loaded)	3
Circuits (maximum)	3
Color - Resin	Black
Durability (mating cycles max)	50
Entry Angle	Vertical
Keying to Mating Part	None
Material - Metal	Phosphor Bronze
Material - Resin	Nylon
Net Weight	11.971/g
PCB Locator	No
PCB Retention	N/A
Packaging Type	Bag
Pitch - Mating Interface	8.40mm
Pitch - Termination Interface	8.40mm
Temperature Range - Operating	-40°C to +105°C
Termination Interface: Style	Through Hole

Electrical

Current - Maximum per Contact	5A, 7A
Voltage - Maximum	12V

Material Info

Reference - Drawing Numbers

Product Specification	PS-35842-001
Sales Drawing	SD-35842-230

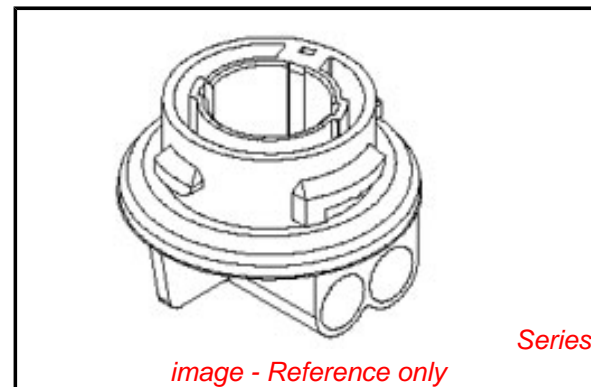


image - Reference only

EU RoHS

**ELV and RoHS
Compliant**

REACH SVHC

Not Reviewed

Low-Halogen Status

Low-Halogen

China RoHS



**Need more information on product
environmental compliance?**

Email productcompliance@molex.com
 For a multiple part number RoHS Certificate of Compliance, [click here](#)

Please visit the [Contact Us](#) section for any non-product compliance questions.

Search Parts in this Series

[35842Series](#)

Mates With

Lamp

Use With

[35464](#) Positive Terminal for PT Bulb Socket,
[35465](#) Earth Terminal for PT Bulb Socket