

PLEASE CHECK WWW.MOLEX.COM FOR LATEST PART INFORMATION

Part Number: [35842-1306](#)
Status: **Active**
Description: PT Bulb Socket, Sealed, Double Housing Assembly, Type A, White

Documents:

[3D Model](#) [Product Specification PS-35842-001 \(PDF\)](#)
[Drawing \(PDF\)](#) [RoHS Certificate of Compliance \(PDF\)](#)

General

| | |
|----------------|-----------------------|
| Product Family | Other Sockets |
| Series | 35842 |
| Comments | A-Type |
| Component Type | Socket |
| Product Name | Bulb Socket |
| UPC | 756054269732 |

Physical

| | |
|--------------------------------|-----------------|
| Circuits (Loaded) | 3 |
| Circuits (maximum) | 3 |
| Color - Resin | White |
| Durability (mating cycles max) | 30 |
| Entry Angle | Vertical |
| Keying to Mating Part | None |
| Material - Metal | Phosphor Bronze |
| Material - Resin | Nylon |
| Net Weight | 10.655/g |
| PCB Locator | No |
| PCB Retention | N/A |
| Packaging Type | Bag |
| Pitch - Mating Interface | N/A |
| Pitch - Termination Interface | N/A |
| Temperature Range - Operating | -40°C to +105°C |
| Termination Interface: Style | Through Hole |

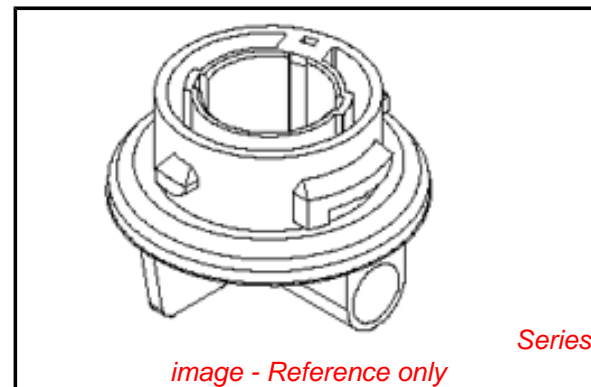
Electrical

| | |
|-------------------------------|--------|
| Current - Maximum per Contact | 5A, 7A |
| Voltage - Maximum | 12V |

Material Info

Reference - Drawing Numbers

| | |
|-----------------------|--------------|
| Product Specification | PS-35842-001 |
| Sales Drawing | SD-35842-001 |



EU RoHS

**ELV and RoHS
Compliant**

REACH SVHC

Not Reviewed

Low-Halogen Status

Low-Halogen

China RoHS



**Need more information on product
environmental compliance?**

Email productcompliance@molex.com
 For a multiple part number RoHS Certificate of Compliance, [click here](#)

Please visit the [Contact Us](#) section for any non-product compliance questions.

Search Parts in this Series

[35842Series](#)

Mates With

Lamp

Use With

[35464](#) Positive Terminal for PT Bulb Socket,
[35465](#) Earth Terminal for PT Bulb Socket