

DWG. NO.  
SD-35798-003

SIMILAR ITEM

PROJECT NO.

C

B

DO NOT SCALE DRAWING  
DIMENSION IN METRIC

8 7 6 5 4 3 2 1

F

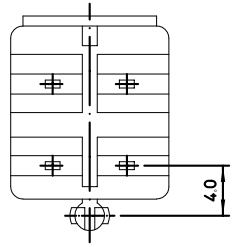
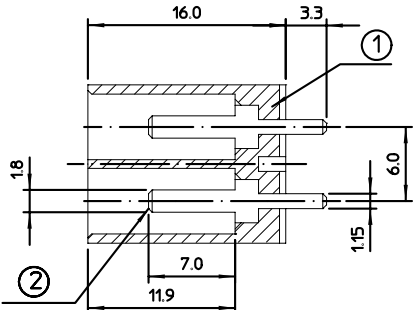
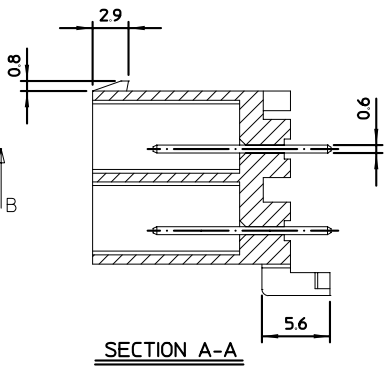
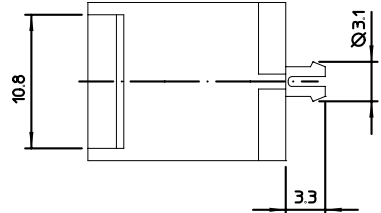
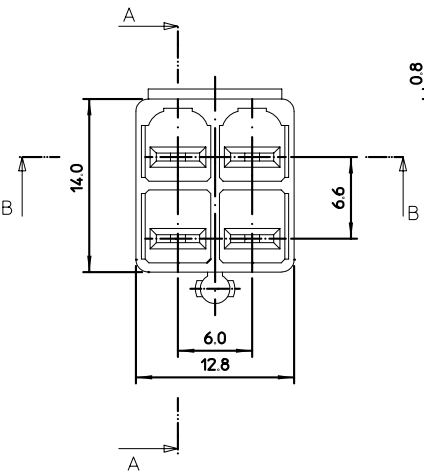
E

D

C

B

A



ASS'Y PART		
DESCRIPTION		MATERIAL
①	HEADER HOUSING-4P	POLYPROPYLENE (UL94V-0)
		NYLON66 (UL94V-2)
②	0.6THICKNESS TAB	BRASS PRE-TIN PALATING

TABLE2	MATERIAL NO.	ENG NO.	HEADER HOUSING	
			MATERIAL	COLOR
	357980410	35798-0410	NYLON66 (UL94V-2)	NATURAL
	357980490	35798-0490	POLYPROPYLENE (UL94V-0)	
	357980412	35798-0412	NYLON66 (UL94V-2)	RED
	357980492	35798-0492	POLYPROPYLENE (UL94V-0)	

NEW RELEASED ECN NO:KOR2001-0048 DRWN:CB.CHIN 01/05/16 CHK:K.B.K.CHOI APPR:W.LEE	QUALITY SYMBOLS MAJOR $\blacktriangledown$ = 0 CRITICAL $\blacktriangledown$ = 0	GENERAL TOLERANCES: (UNLESS SPECIFIED)		SCALE 2:1	DESIGN UNITS <input checked="" type="checkbox"/> mm <input type="checkbox"/> INCH	DIMENSIONS: <input type="checkbox"/> mm <input type="checkbox"/> INCH <input checked="" type="checkbox"/> mm ONLY	SHT REV		
		4 PLACES $\pm 0.$ $\pm.$	3 PLACES $\pm 0.$ $\pm.$	2 PLACES $\pm 0.$ $\pm.$	1 PLACE $\pm 0.$ $\pm.$	DRAWN BY & DATE C.B.CHIN 01/04/17	THIRD ANGLE PROJECTION		TITLE: .070 W/B HEADER ASS'Y-4P
		ANGULAR: $\pm$ $^{\circ}$				CHECKED BY & DATE B.K.CHOI 01/04/17	APPROVED BY & DATE C.W.LEE 01/04/17		REVISE ON CAD ONLY
		DRAFT WHERE APPLICABLE MUST REMAIN WITHIN DIMENSIONS				CAD FILENAME S35798C.MI	MATERIAL NO. SEE TABLE2	DRAWING NO. SD-35798-003	SHEET NO 1 OF 1

8 7 6 5 4 3 2 1

KOREA MX-A3