

35776 ✓ ACTIVE

SOLISTRAND

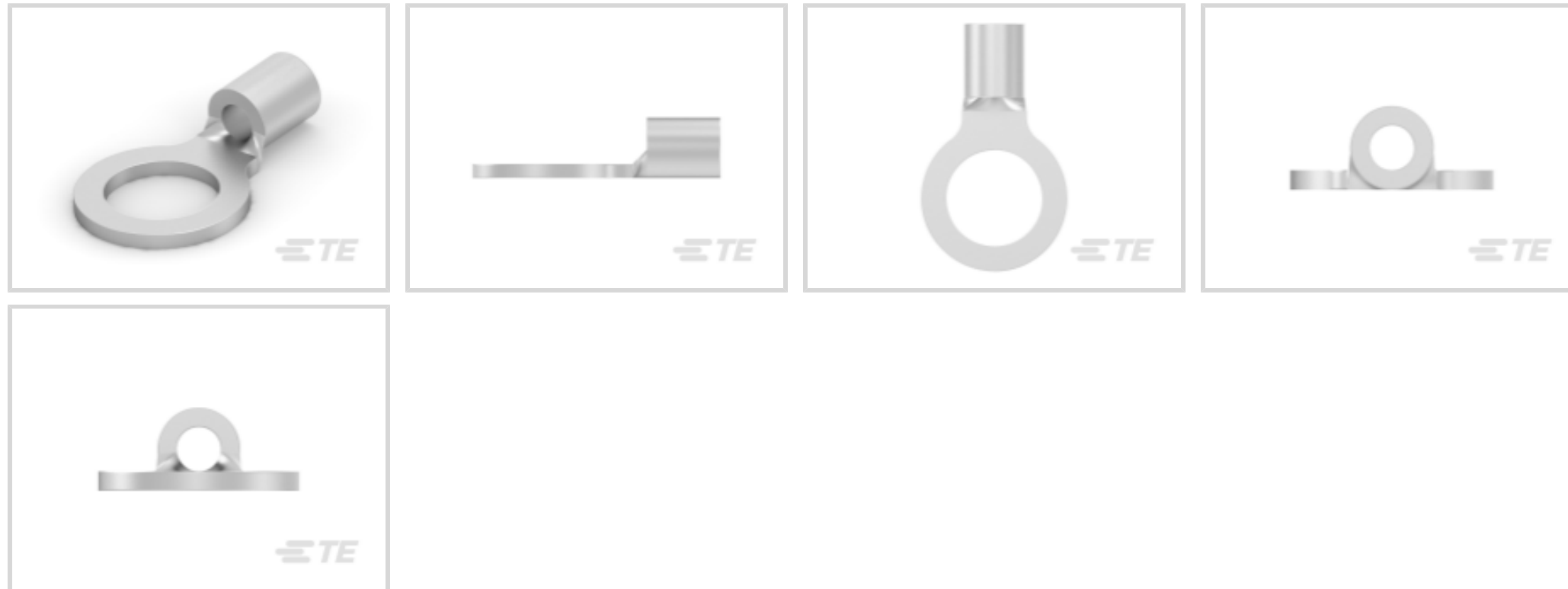
TE Internal #: 35776

Closed Ring Tongue Terminal, 17 – 13 AWG, 5/16 / M8 Stud Size,  
8.33 mm [.328 in] Stud Diameter, Closed Barrel, Straight, Tin,  
Uninsulated

[View on TE.com >](#)



Terminals & Splices > Ring Terminals



Ring Terminal Product Type: Closed Ring Tongue Terminal

Wire Size: 2050 – 5180 CMA

Stud Size: 5/16, M8

### Features

#### Product Type Features

Terminal Features	Heavy Duty
Ring Terminal Product Type	Closed Ring Tongue Terminal
Stud Size	5/16, M8
Sealable	No
Wire Insulation Support Retention Type	Non-Insulation Support

#### Configuration Features

Number of Holes	1
-----------------	---

#### Body Features

Product Weight	2.46 g
----------------	--------

#### Contact Features

Barrel Type	Closed
Terminal Orientation	Straight
Terminal Plating Material	Tin

#### Mechanical Attachment

Wire Insulation Support	Without
-------------------------	---------



### Dimensions

Wire Size	2050 – 5180 CMA
Stud Diameter	8.33 mm [.328 in]
Tongue Thickness	1.22 mm [.05 in]
Product Length	21.97 mm [.86 in]
Barrel Inside Diameter	2.67 mm [.105 in]

### Usage Conditions

Insulation Option	Uninsulated
Operating Temperature Range	170 °C [338 °F]

### Operation/Application

Compatible With Wire Base Material	Copper
Compatible With Wire Plating Material	Tin

### Industry Standards

Government Qualified Terminal	No
-------------------------------	----

### Packaging Features

Packaging Quantity	500
Packaging Method	Loose Piece

### Product Compliance

[For compliance documentation, visit the product page on TE.com>](#)

EU RoHS Directive 2011/65/EU	Compliant
EU ELV Directive 2000/53/EC	Compliant
China RoHS 2 Directive MIIT Order No 32, 2016	No Restricted Materials Above Threshold
EU REACH Regulation (EC) No. 1907/2006	Current ECHA Candidate List: JUNE 2024 (241) Candidate List Declared Against: JUNE 2024 (241) Does not contain REACH SVHC
Halogen Content	Low Halogen - Br, Cl, F, I < 900 ppm per homogenous material. Also BFR/CFR/PVC Free
Solder Process Capability	Not applicable for solder process capability

#### Product Compliance Disclaimer


This information is provided based on reasonable inquiry of our suppliers and represents our current actual knowledge based on the information they provided. This information is subject to change. The part numbers that TE has identified as

EU RoHS compliant have a maximum concentration of 0.1% by weight in homogenous materials for lead, hexavalent chromium, mercury, PBB, PBDE, DBP, BBP, DEHP, DIBP, and 0.01% for cadmium, or qualify for an exemption to these limits as defined in the Annexes of Directive 2011/65/EU (RoHS2). Finished electrical and electronic equipment products will be CE marked as required by Directive 2011/65/EU. Components may not be CE marked. Additionally, the part numbers that TE has identified as EU ELV compliant have a maximum concentration of 0.1% by weight in homogenous materials for lead, hexavalent chromium, and mercury, and 0.01% for cadmium, or qualify for an exemption to these limits as defined in the Annexes of Directive 2000/53/EC (ELV). Regarding the REACH Regulation, the information TE provides on SVHC in articles for this part number is based on the latest European Chemicals Agency (ECHA) 'Guidance on requirements for substances in articles' posted at this URL: <https://echa.europa.eu/guidance-documents/guidance-on-reach>

## Compatible Parts



TE Part # 58545-1  
SOLISTRAND 10-22 DIE ASSY



TE Part # 49935  
DAHT SOLIS 22-10 ASSY



TE Part # 58546-1  
PC 22-10 SOLISSPICE SPL I SHT



TE Part # 58545-3  
SDE DIE ASSY. 22-10 SOLISTRAND



TE Part # 47813  
DIES SOLIS 16-14 DIE SET

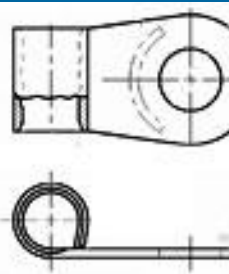


TE Part # 47814  
DIES SOLIS 12-10 DIE SET

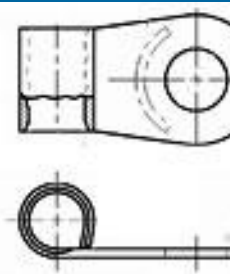


TE Part # 169400  
CERTI-LOK FRAME W/O DIES


## Customers Also Bought



TE Part #321064  
TERMINAL,SOLIS FLAG R 2 5/16



TE Part #322727  
TERMINAL,SOLIS FLAG R 8 1/4



TE Part #324124  
BUDG R 22-16COMM 22-18MIL 5/16



TE Part #1879351-8  
RR01 5% 5K6 AMMO



TE Part #2820123007  
44A0111-18-2



TE Part #2820103008  
44A0111-18-0



TE Part #322733  
TERMINAL,SOLIS R HR 16-14 1/4



TE Part #2-2176530-6  
3504G 3A 1K0 1% 1K RL



## Documents

### Product Drawings

[TERMINAL,SOLIS R 16-14HD 5/16](#)

English

### CAD Files

#### 3D PDF

3D

#### Customer View Model

[ENG\\_CVM\\_CVM\\_35776\\_K.2d\\_dxf.zip](#)

English

#### Customer View Model

[ENG\\_CVM\\_CVM\\_35776\\_K.3d\\_igs.zip](#)

English

#### Customer View Model

[ENG\\_CVM\\_CVM\\_35776\\_K.3d\\_stp.zip](#)

English

#### Customer View Model

[ENG\\_CVM\\_35776\\_C.3d\\_igs.zip](#)

English

#### Customer View Model

[ENG\\_CVM\\_35776\\_C.3d\\_stp.zip](#)

English

#### Customer View Model

[ENG\\_CVM\\_35776\\_C.2d\\_dxf.zip](#)

English

#### 3D PDF

English

By downloading the CAD file I accept and agree to the [Terms and Conditions](#) of use.

### Agency Approvals

#### UL Report

English

#### UL Report

English

35776

Closed Ring Tongue Terminal, 17 – 13 AWG, 5/16 / M8 Stud Size, 8.33 mm [.328 in]  
Stud Diameter, Closed Barrel, Straight, Tin, Uninsulated

