

DO NOT SCALE DRAWING DIMENSION IN METRIC

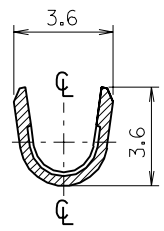
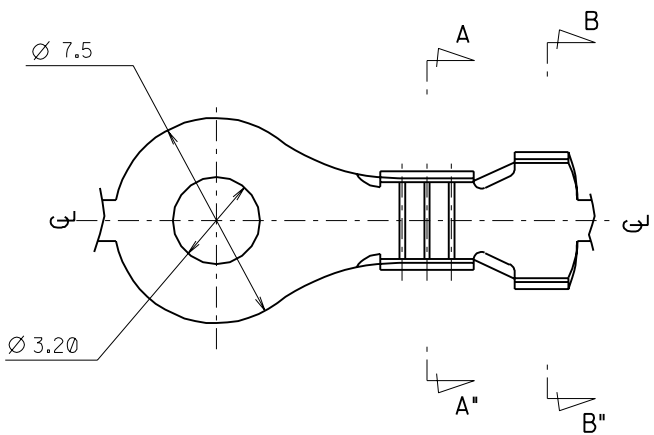
PROJECT NO.

SIMILAR ITEM

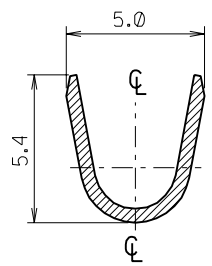
EDP NO.

ENG. NO

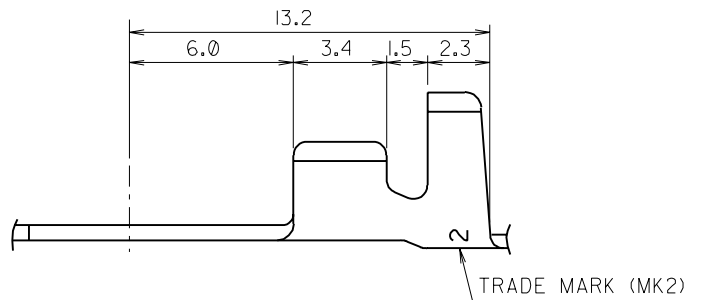
SD 35750-1100



SECTION: A-A



SECTION: B-B



NOTES

1. MATERIAL: BRASS 0.5 THK'
2. FINISH: 35750-1100: NONE
35750-1110: POST-TIN PLATING
35723-0904: TIN LEAD PLATING
3. RECOMMENDED LENGTH OF WIRE STRIP IS 4.8-5.2

LTR		REVISION RECORD	ECN	DR/CHK	DATE	DIE FEED	APPL FEED	WBDW	IBDW	APP'D BY	SCALE	WIRE RANGE AWG: DIM. ANGLE: MM ² :	GENERAL TOLERANCES DIM. ANGLE:	MOLEX MOLEX-KOREA CO.,LTD.	
C	REVISED			YANG	92.4.30							#18-#14	: *0.3	REVISE ONLY ON CAD SYSTEM	
B	REVISED			YANG	91.12.3								: *0.2	TITLE: $\varnothing 3.2$ RING TERMINAL (H/S)	
A	CAD DRAWING RELEASED			YANG	91.11.1					W.Y.YANG	CHK'D BY B.K.CHOI	INSULATION RANGE		ENG.NO.	SD 35750-1100
											CAD (6:1)	$\varnothing 3.0$ MAX		REV C	