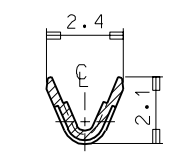
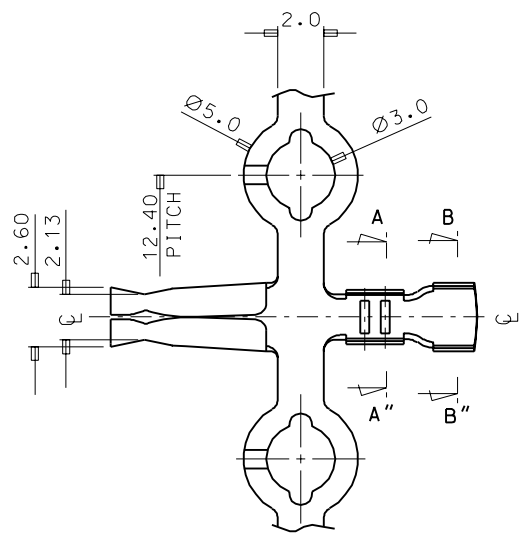
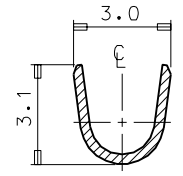


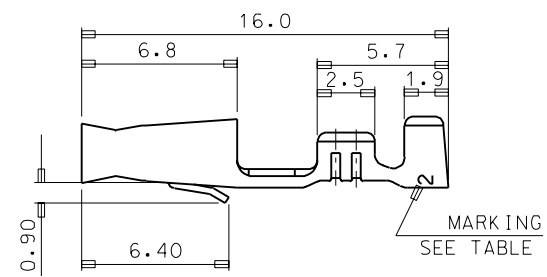
DWG. NO. SD 35719-0110
 PROJECT NO. SIMILAR ITEM
 DO NOT SCALE DRAWING DIMENSION IN METRIC



SECTION A-A"



SECTION B-B"



NOTES

- MATERIAL: BRASS , 0.3 THK'
PRE-TIN PLATING
 - APPLICABLE HOUSING : 35135-0*10/0*20
 - MATING PIN
- | ENG.NO. | MATING PIN DIA | MARKING |
|------------|----------------|----------|
| 35719-0110 | 1.57mm | MK2 |
| 35719-0150 | 1.54mm | N
MK2 |
- WIRE RANGE : AWG #24-#20
 - RECOMMENDED LENGTH OF WIRE STRIP IS 3.3-4.2mm

REVISED EC NO. KOR1998-0106 DRWN:W.YANG 98/08/29 CHK: CJK APPR:	DESCRIPTION MAJOR = 0 CRITICAL = 0	GENERAL TOLERANCES: (UNLESS SPECIFIED)		SCALE 5:1	DESIGN UNITS <input checked="" type="checkbox"/> mm <input type="checkbox"/> INCH	DIMENSIONS: <input type="checkbox"/> mm <input type="checkbox"/> INCH <input checked="" type="checkbox"/> mm ONLY		SHT	REV	
		4 PLACES ±0.	mm	INCH	<input type="checkbox"/> mm <input type="checkbox"/> INCH <input checked="" type="checkbox"/> mm ONLY	REVISE ON CAD ONLY				
C	REV	3 PLACES ±0.	DRAWN BY & DATE W.Y.YANG 93/11/02		TITLE: 5.0mm PITCH CONN. TERMINAL (SMK)					
		2 PLACES ±0.20	CHECKED BY & DATE B.K.CHOI 98/11/02		APPROVED BY & DATE C.W.LEE 93/11/02					
		1 PLACE ±0.30	ANGULAR: ± °		CAD FILENAME S7190110.DGN		MATERIAL NO. SEE TABLE	DRAWING NO. SD-35719-0110	SHEET NO. 10F1	SIZE B
DRAFT WHERE APPLICABLE MUST REMAIN WITHIN DIMENSIONS			THIS DRAWING CONTAINS INFORMATION THAT IS PROPRIETARY TO MOLEX INCORPORATED AND SHOULD NOT BE USED WITHOUT WRITTEN PERMISSION.							