

PLEASE CHECK WWW.MOLEX.COM FOR LATEST PART INFORMATION

Part Number: [35573-0300](#)
Status: **Active**
Description: 5.83mm Pitch Cluster Block Terminal Housing, for 2.29mm Diameter Pin, 3 Circuits

Documents:

[3D Model](#) [Product Specification PS-35573-001 \(PDF\)](#)
[Drawing \(PDF\)](#) [RoHS Certificate of Compliance \(PDF\)](#)

Agency Certification

UL E29179

General

Product Family Crimp Housings
 Series [35573](#)
 Application Power
 Product Name N/A
 UPC 756054251461

Physical

Circuits (maximum) 3
 Gender Female
 Glow-Wire Compliant No
 Lock to Mating Part None
 Net Weight 2.769/g
 Number of Rows 1
 Packaging Type Bag
 Panel Mount No
 Pitch - Mating Interface 5.84mm
 Polarized to Mating Part Yes
 Ports 3
 Temperature Range - Operating -40°C to +105°C

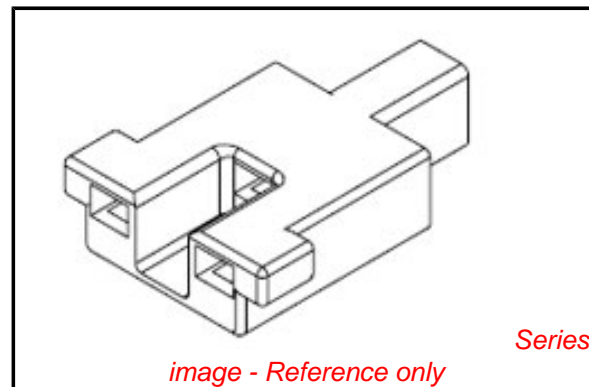
Electrical

Current - Maximum per Contact 10A

Material Info

Reference - Drawing Numbers

Product Specification PS-35573-001
 Sales Drawing SD-35573-001



EU RoHS

**ELV and RoHS
Compliant**

REACH SVHC

Not Reviewed

Low-Halogen Status

Low-Halogen

China RoHS



**Need more information on product
environmental compliance?**

Email productcompliance@molex.com
 For a multiple part number RoHS Certificate of
 Compliance, [click here](#)

Please visit the [Contact Us](#) section for any
 non-product compliance questions.

Search Parts in this Series

[35573Series](#)

Use With

[579206002](#)